

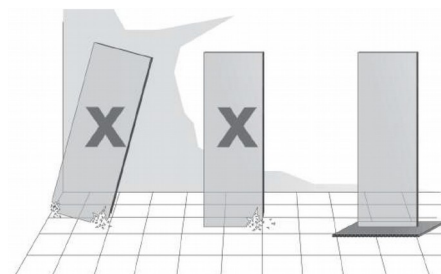
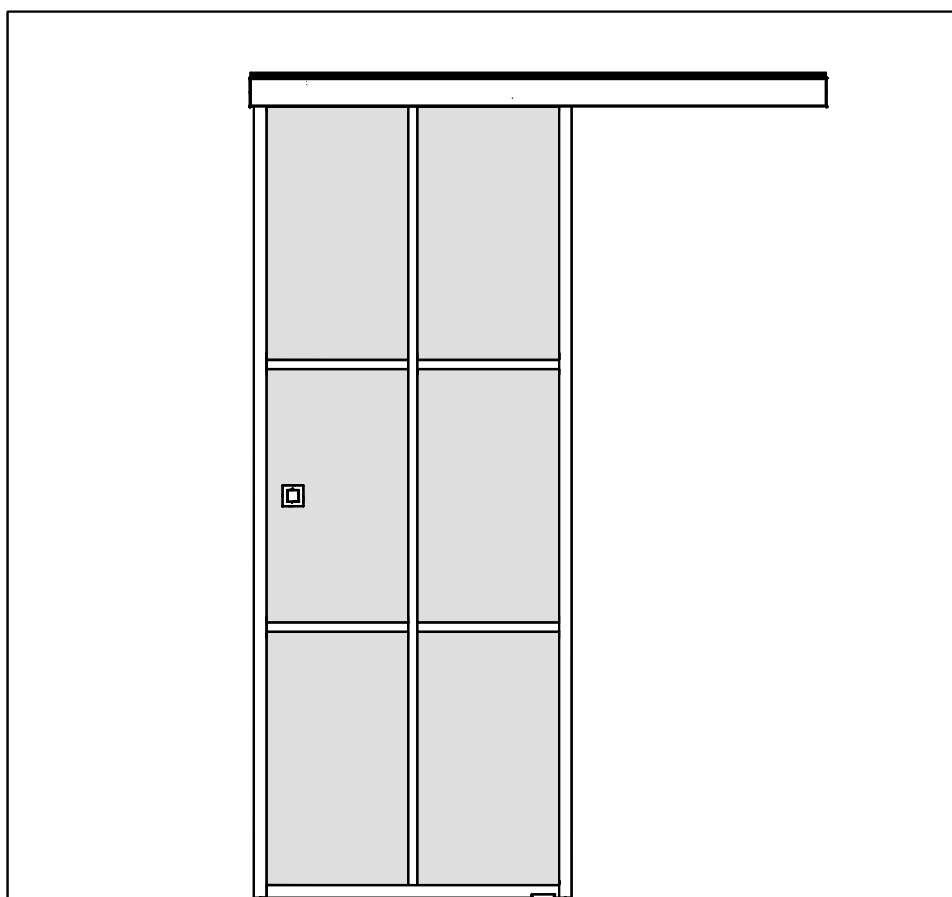


HIETAKARI®

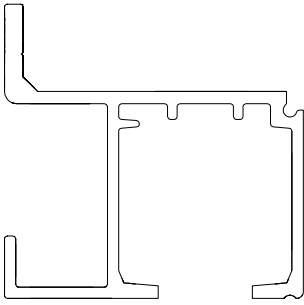


8/25 5ARLM

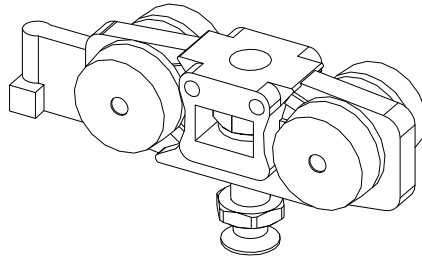
# Bläk 860/861/862



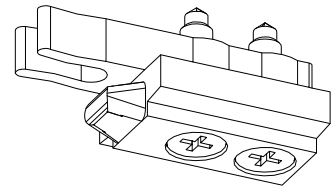
# Parts



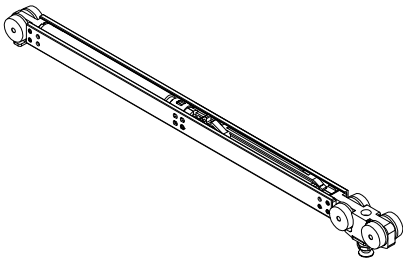
1. x1



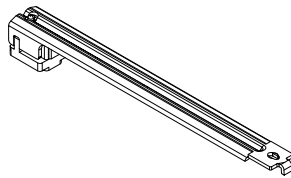
2. A x1  
B x0



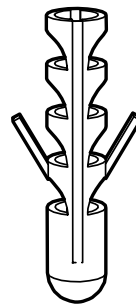
3. A x1  
B x0



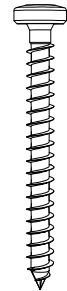
4. A x1  
B x2



5. A x1  
B x2

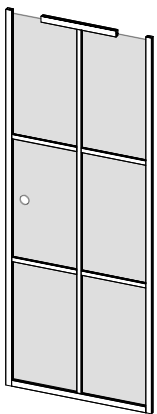


4/83 13RLM

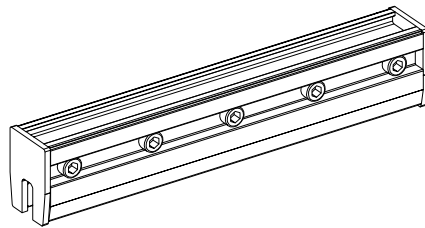


4/83 11RLM

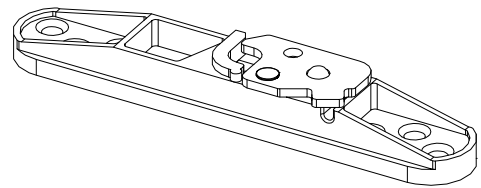
6. 6x30 mm 7. 3.5x39 mm



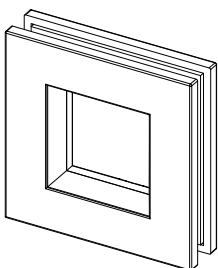
8. x1



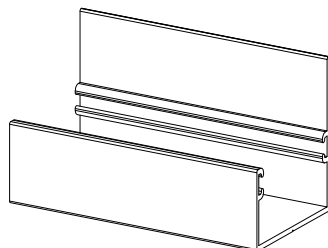
9. x2



10. x2



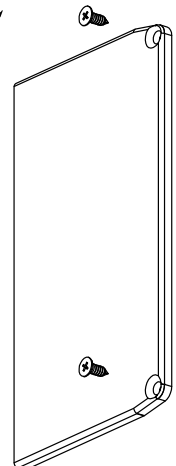
11. x1



12. x1

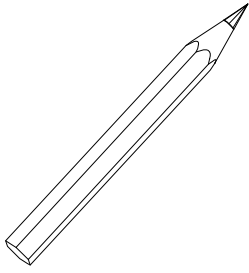


13. x1

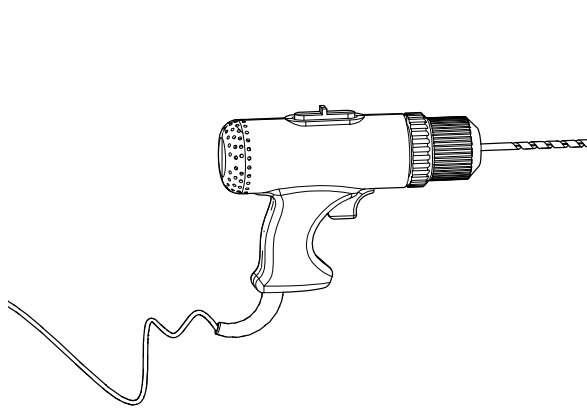


14. x2

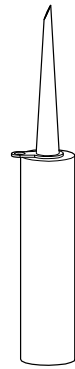
# Tools



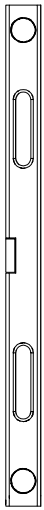
A



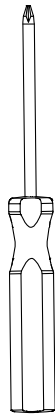
Ø6 mm  
B



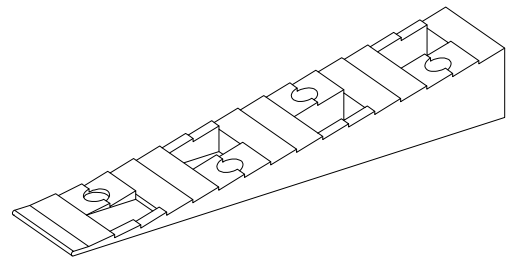
C – Silicone  
D – Glue



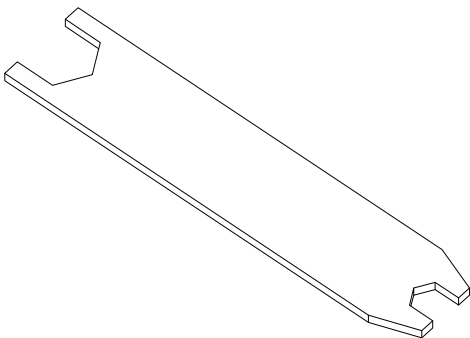
E



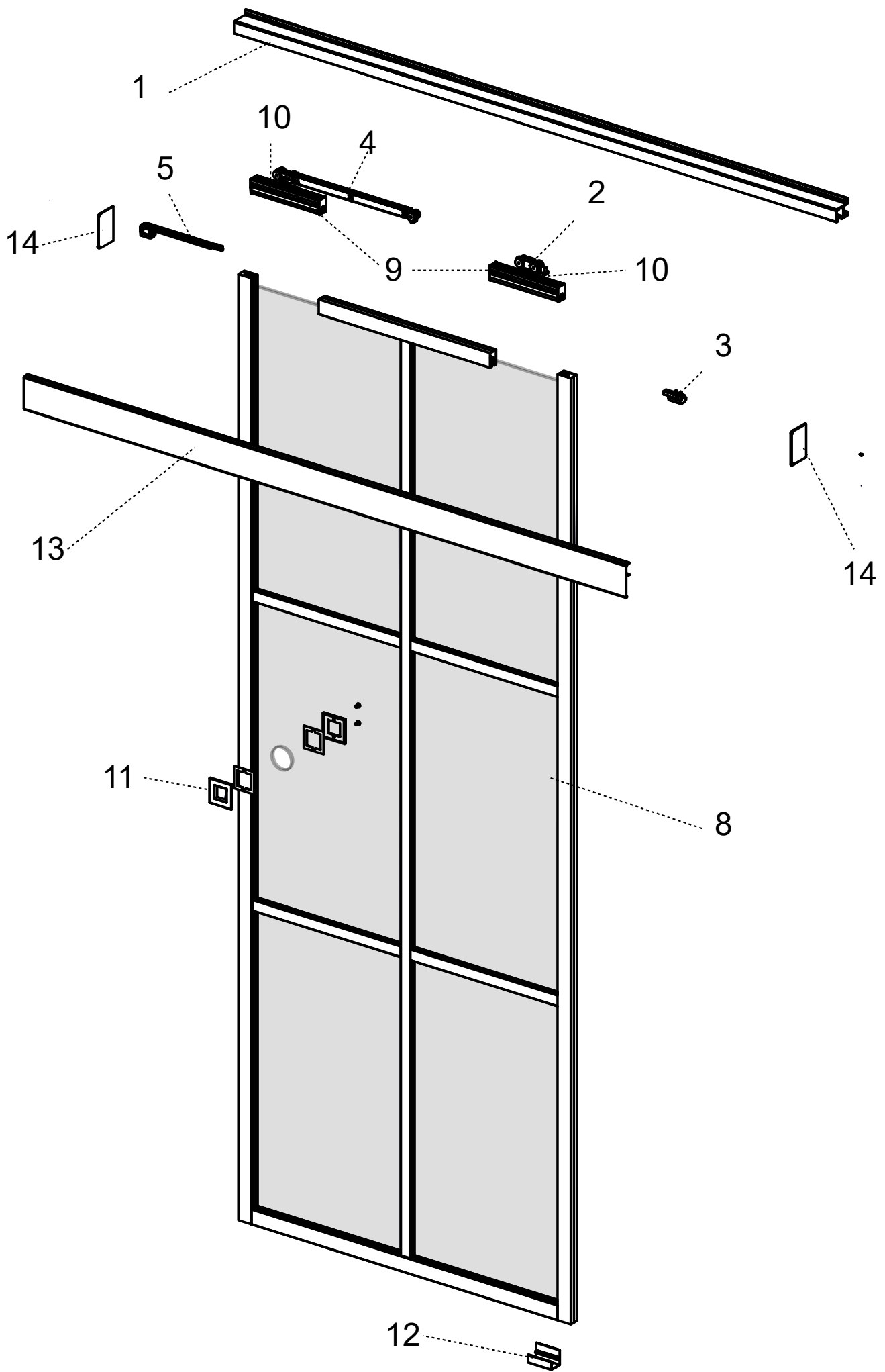
F



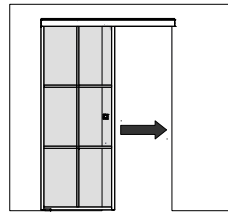
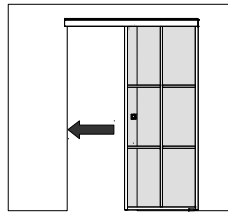
G



H

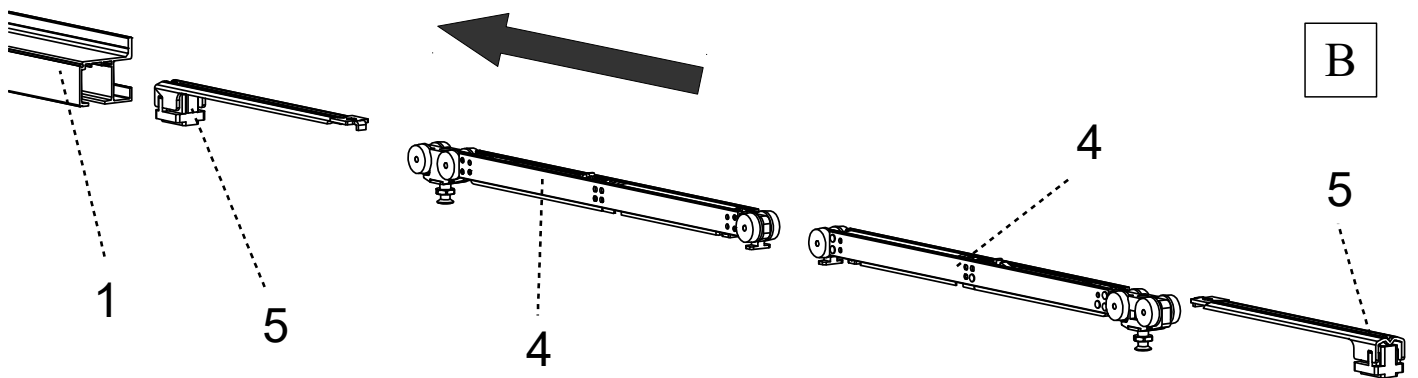
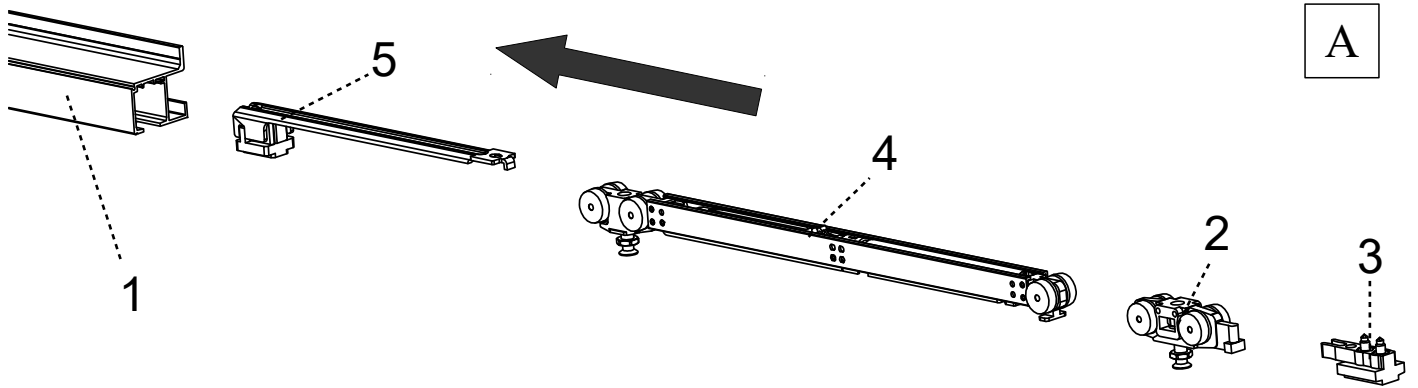


1

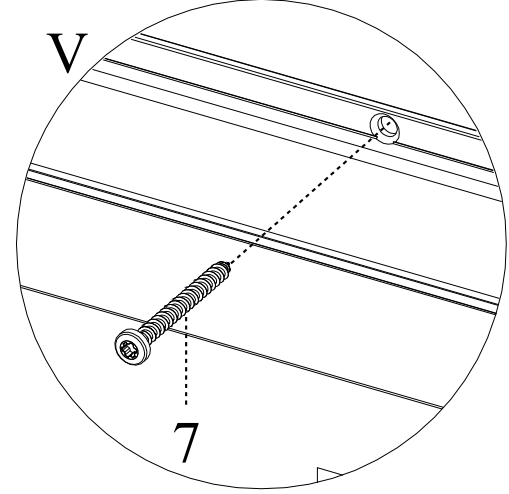
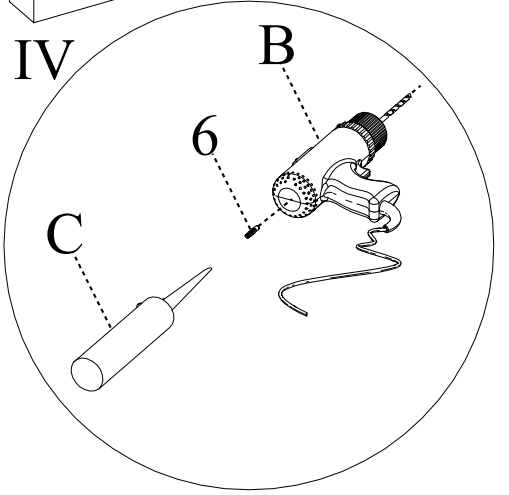
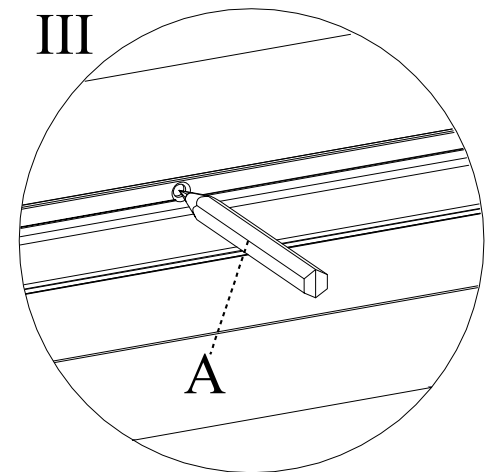
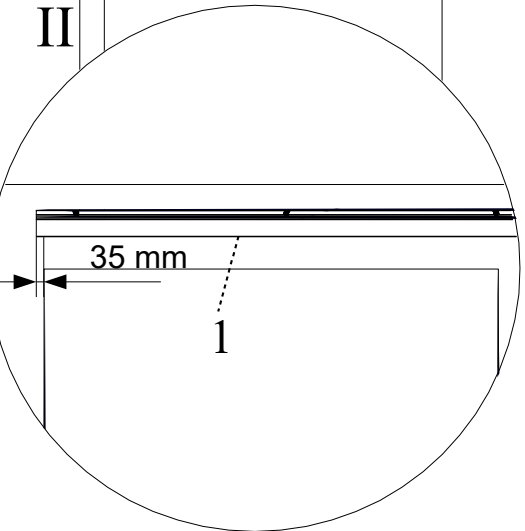
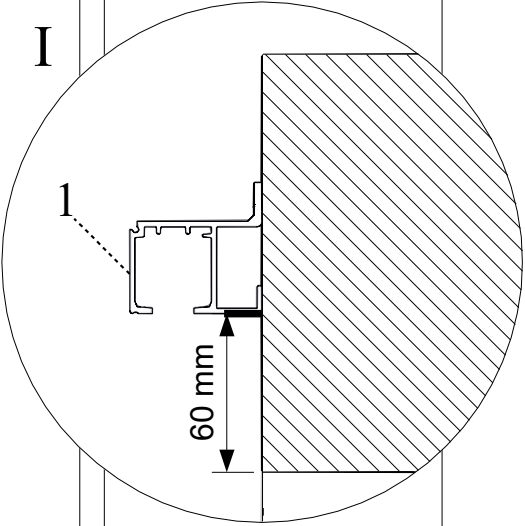
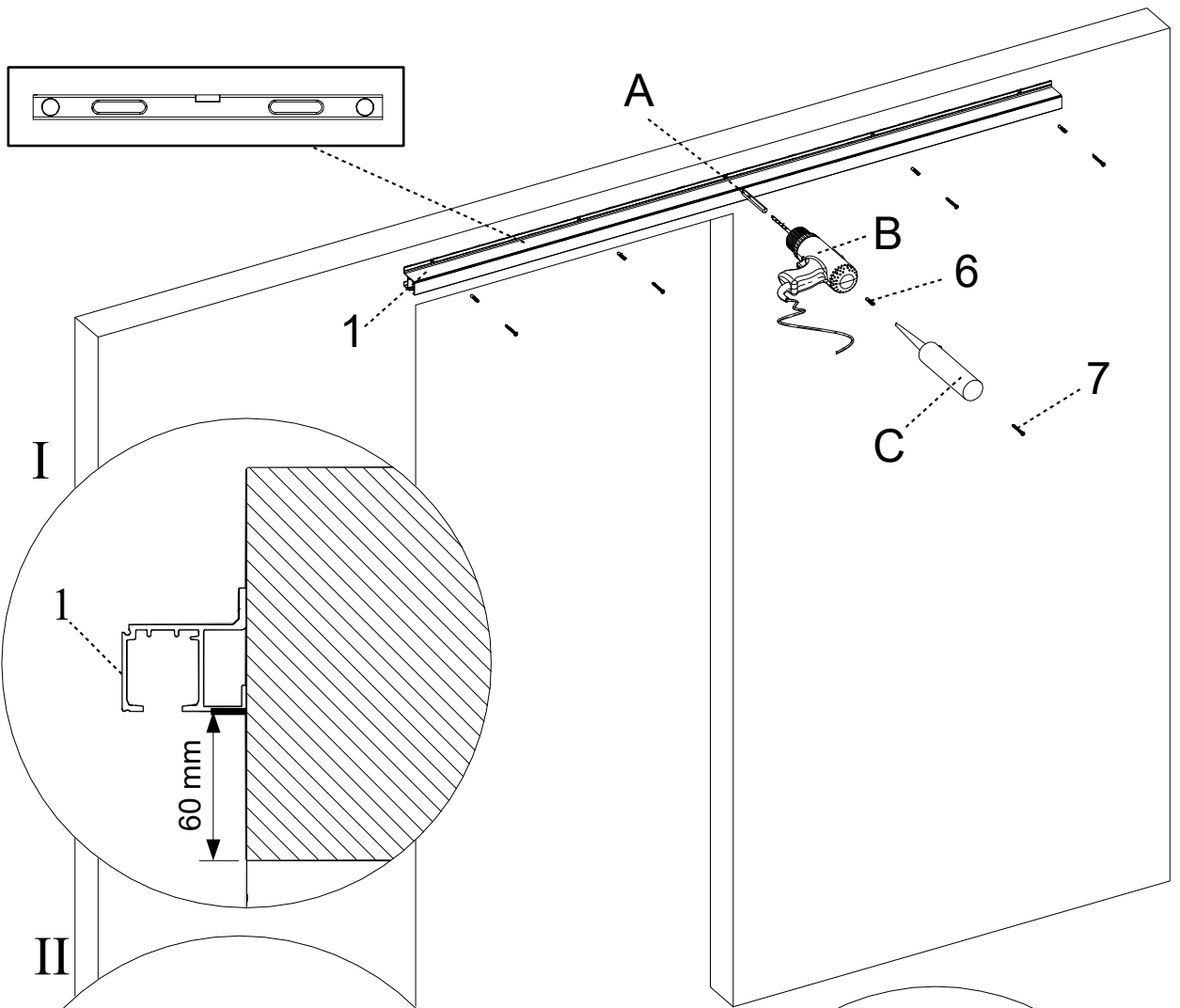


A: 1←5-4-2-3  
B: 1←5-4-4-5

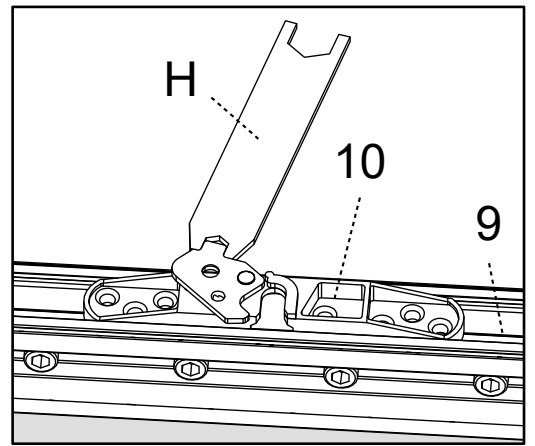
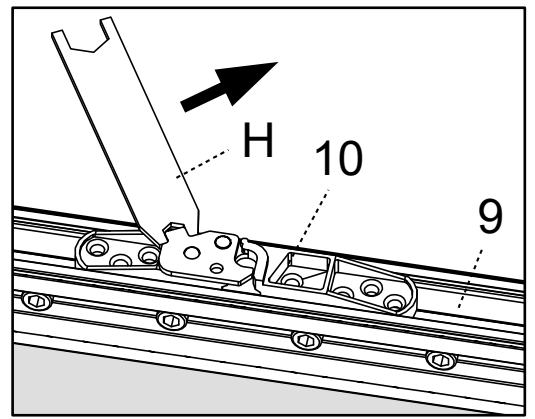
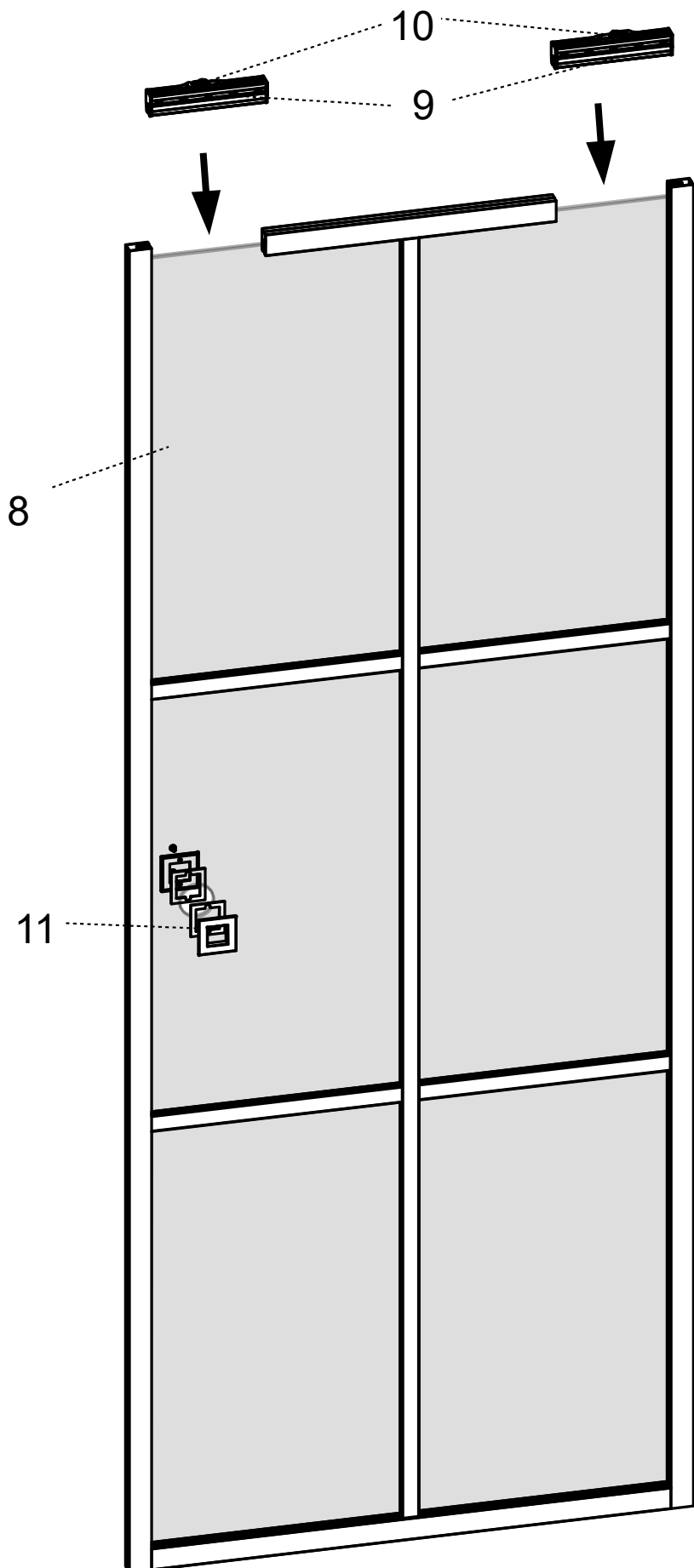
A: 1←3-2-4-5  
B: 1←5-4-4-5



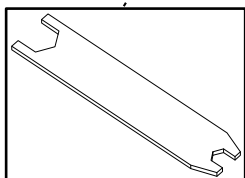
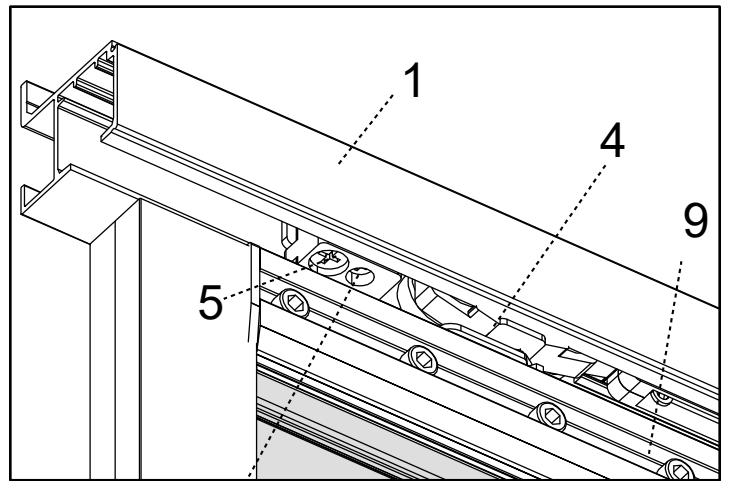
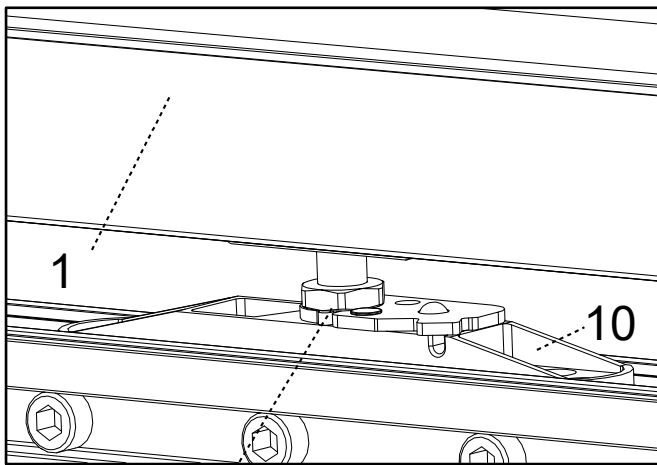
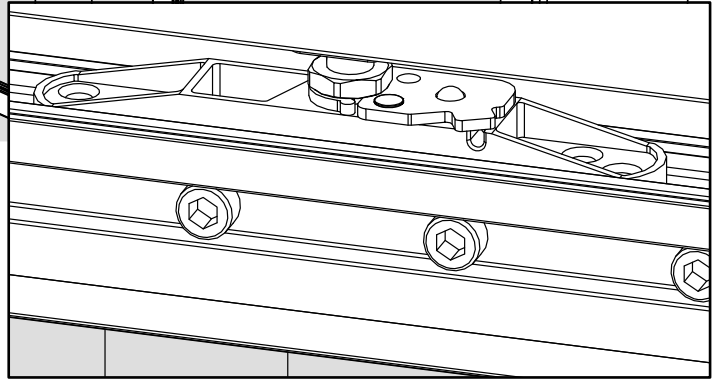
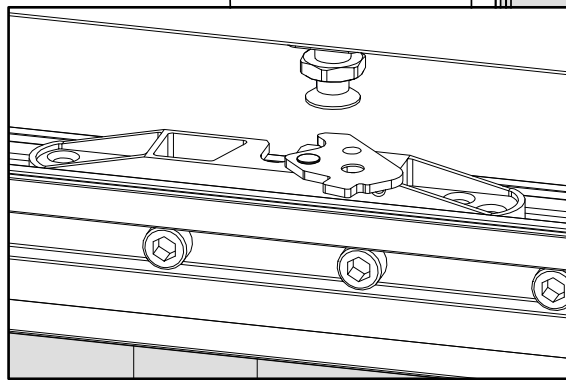
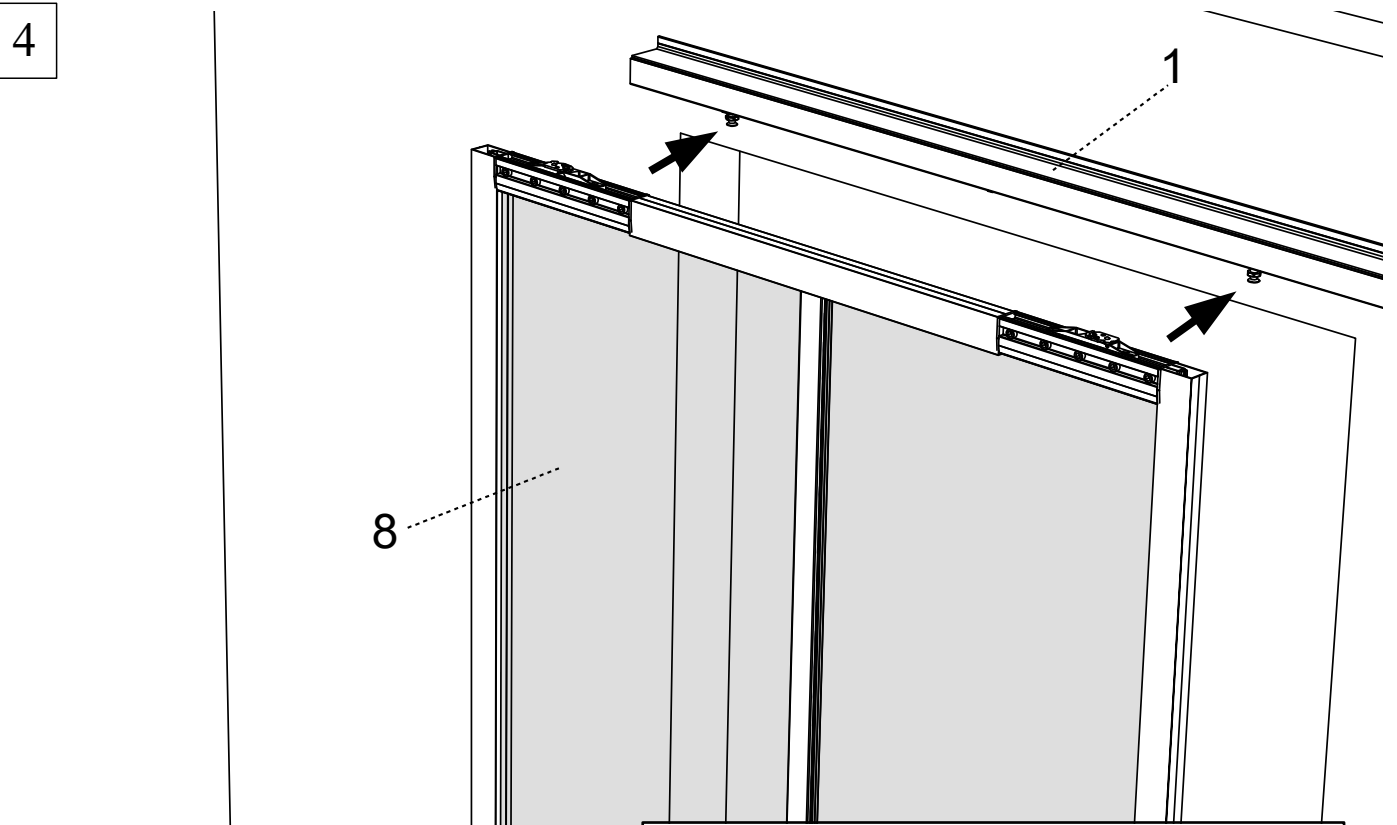
2



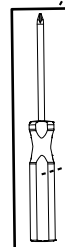
3



4



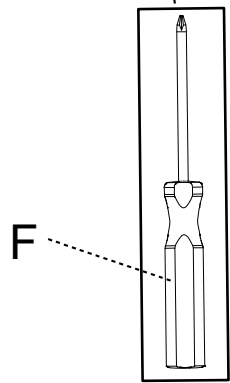
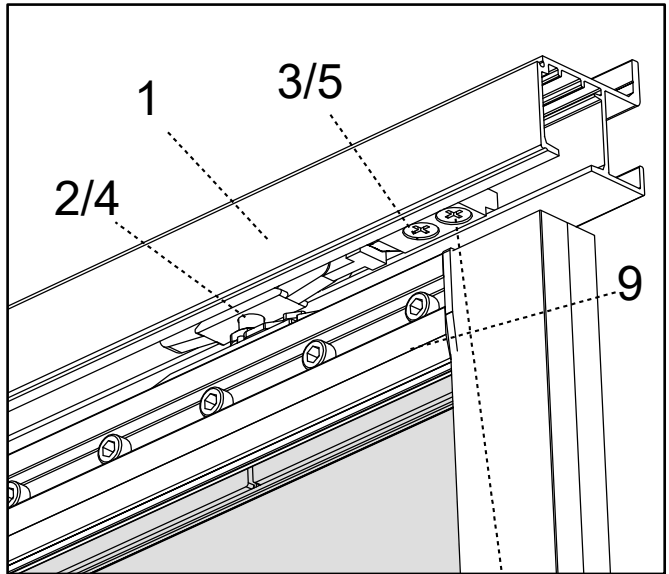
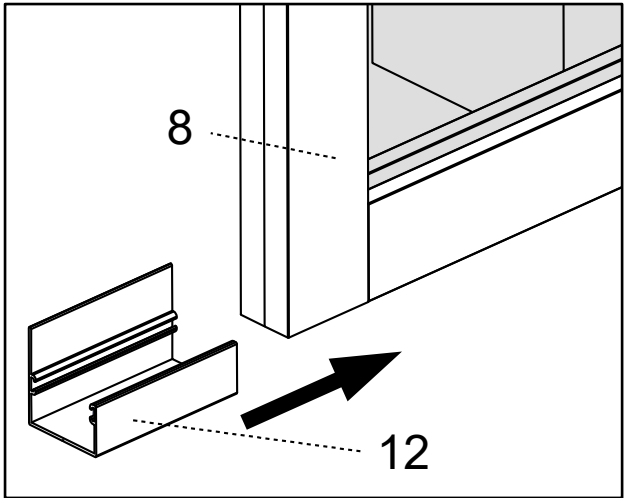
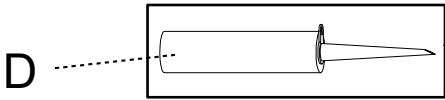
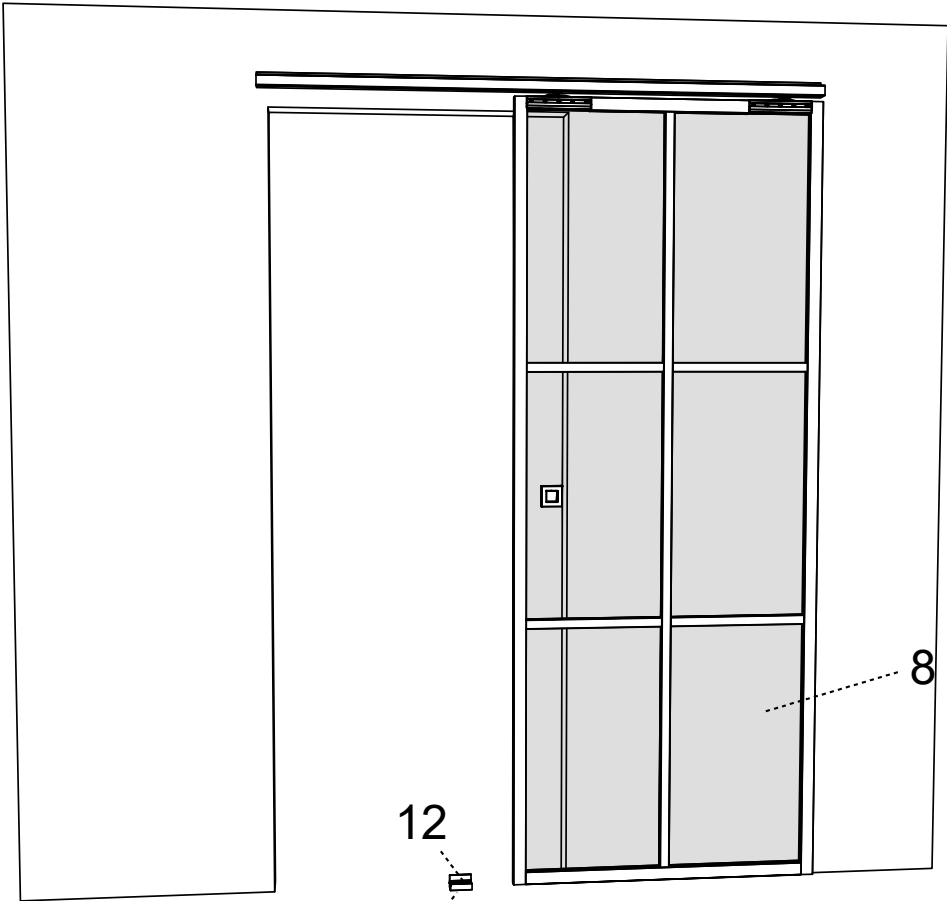
3 mm



F



5



6

