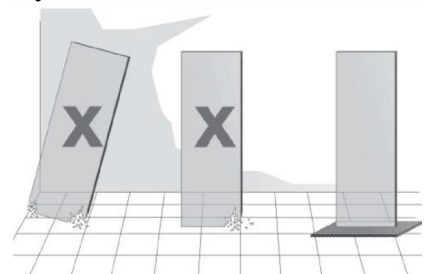
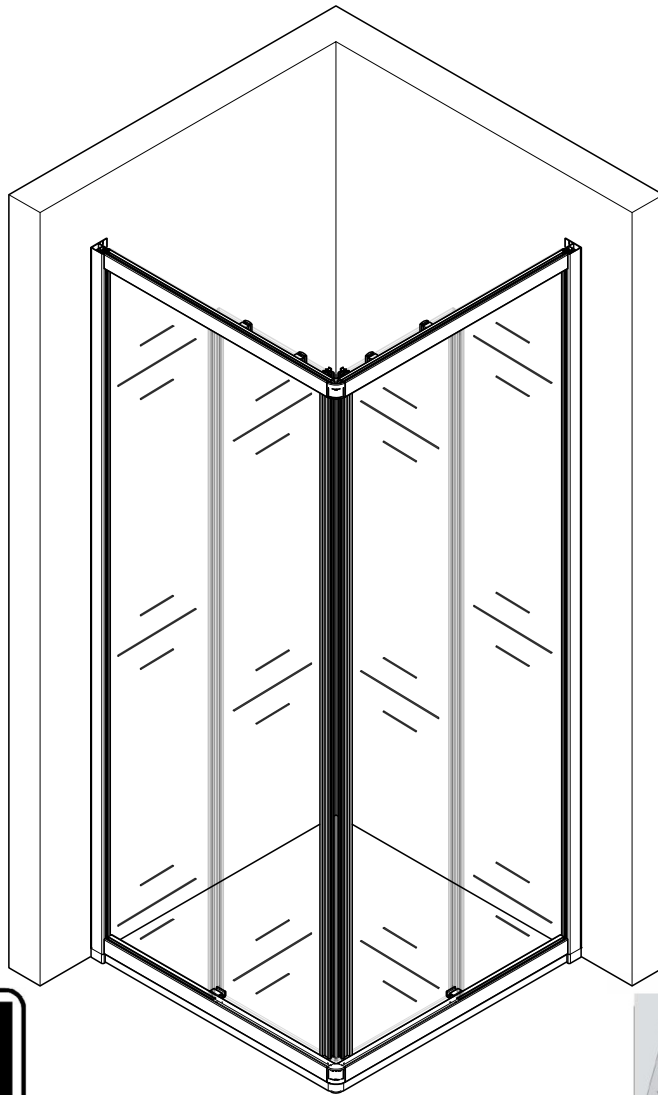
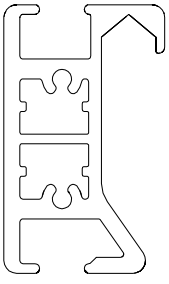




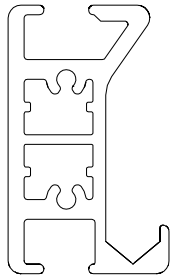
HIETAKARI



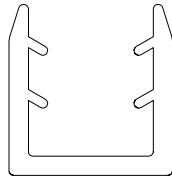
Parts



1. x2

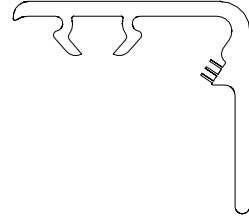


2. x2



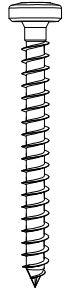
3. x4

1/41 E0RLM



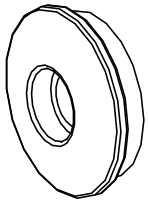
4. x2

1/42 F0RLM



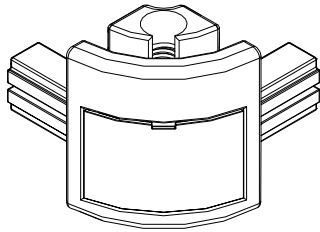
5. 3.5x39 mm

4/83 31RLM



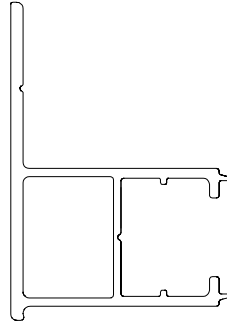
6. x8

4/83 42RLM

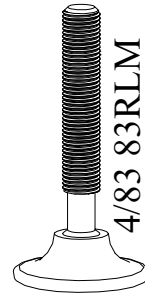


7. x2

8/65 80RLM

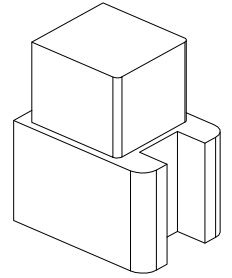


8. x2



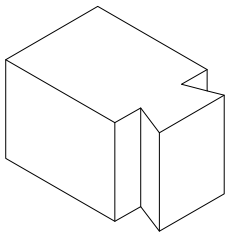
9. x1

4/83 83RLM



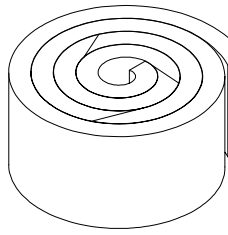
10. x2

4/83 A2RLM



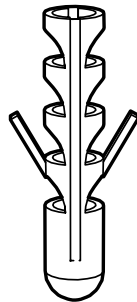
11. x2

4/83 A3RLM



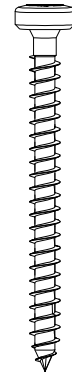
12. x1

4/83 61RLM



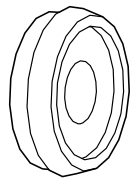
13. 6x30 mm
x8

4/83 13RLM



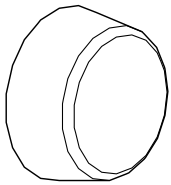
14. 6x30 mm

4/83 11RLM



15. x16

4/83 22RLM



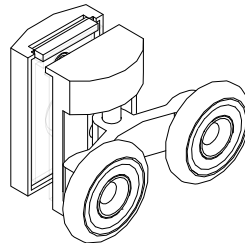
16. x16

4/83 23RLM



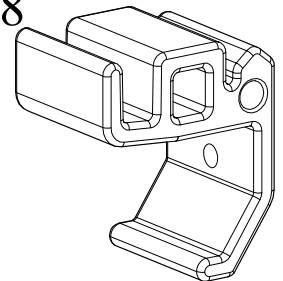
17. 4.2x13 mm
x14

4/83 24RLM



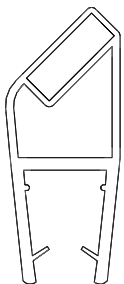
18. x4

4/83 70RL1



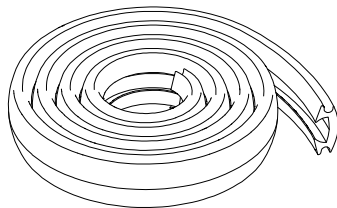
19. x2

4/83 97RLM



20. x2

1/42 50RLM



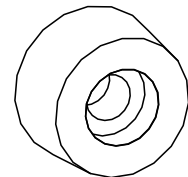
21. x1

4/83 52RLM



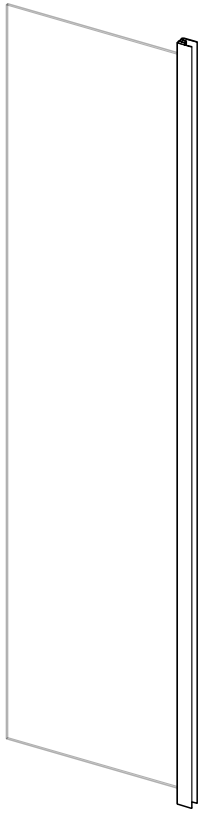
22. x4

1/42 10RLM

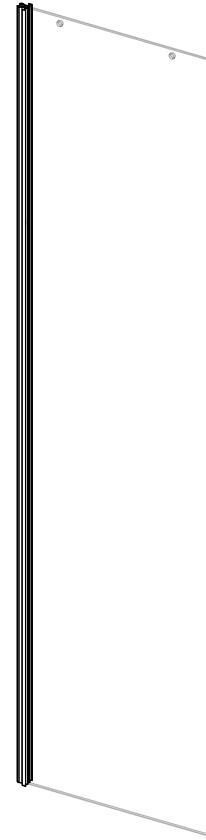


23. x4

4/83 30RLM

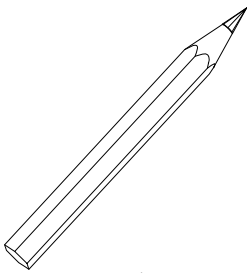


24. x2

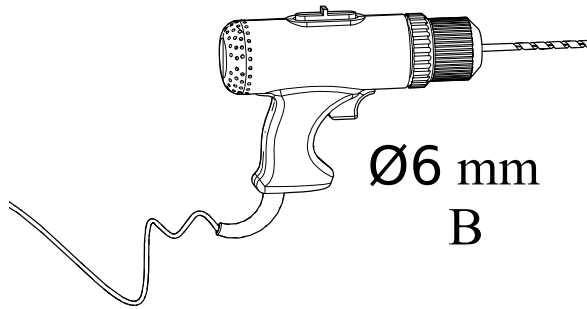


25. x2

Tools



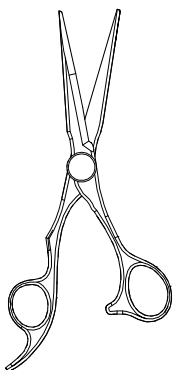
A



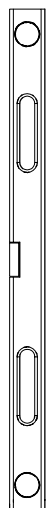
B



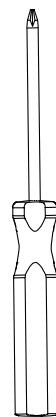
C



D

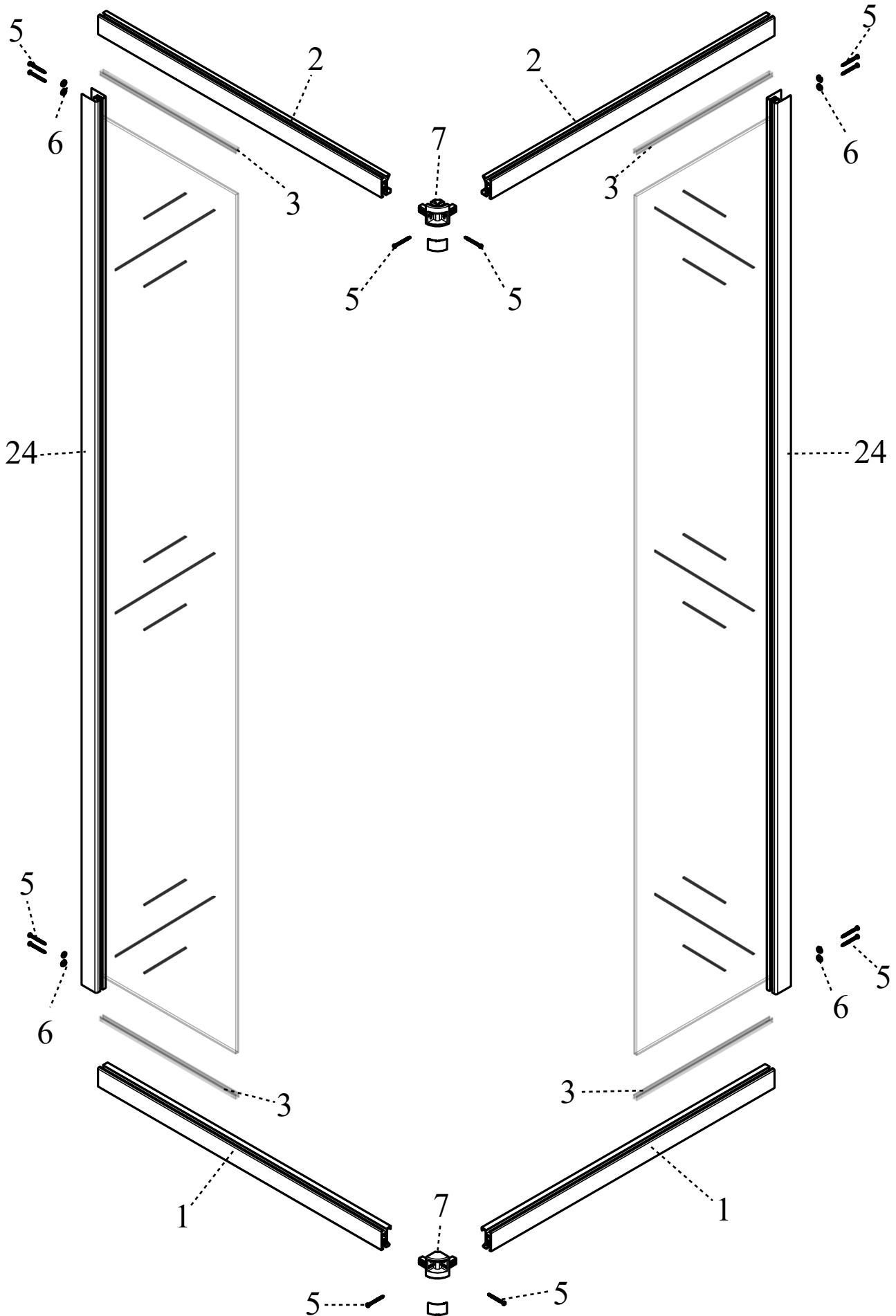


E

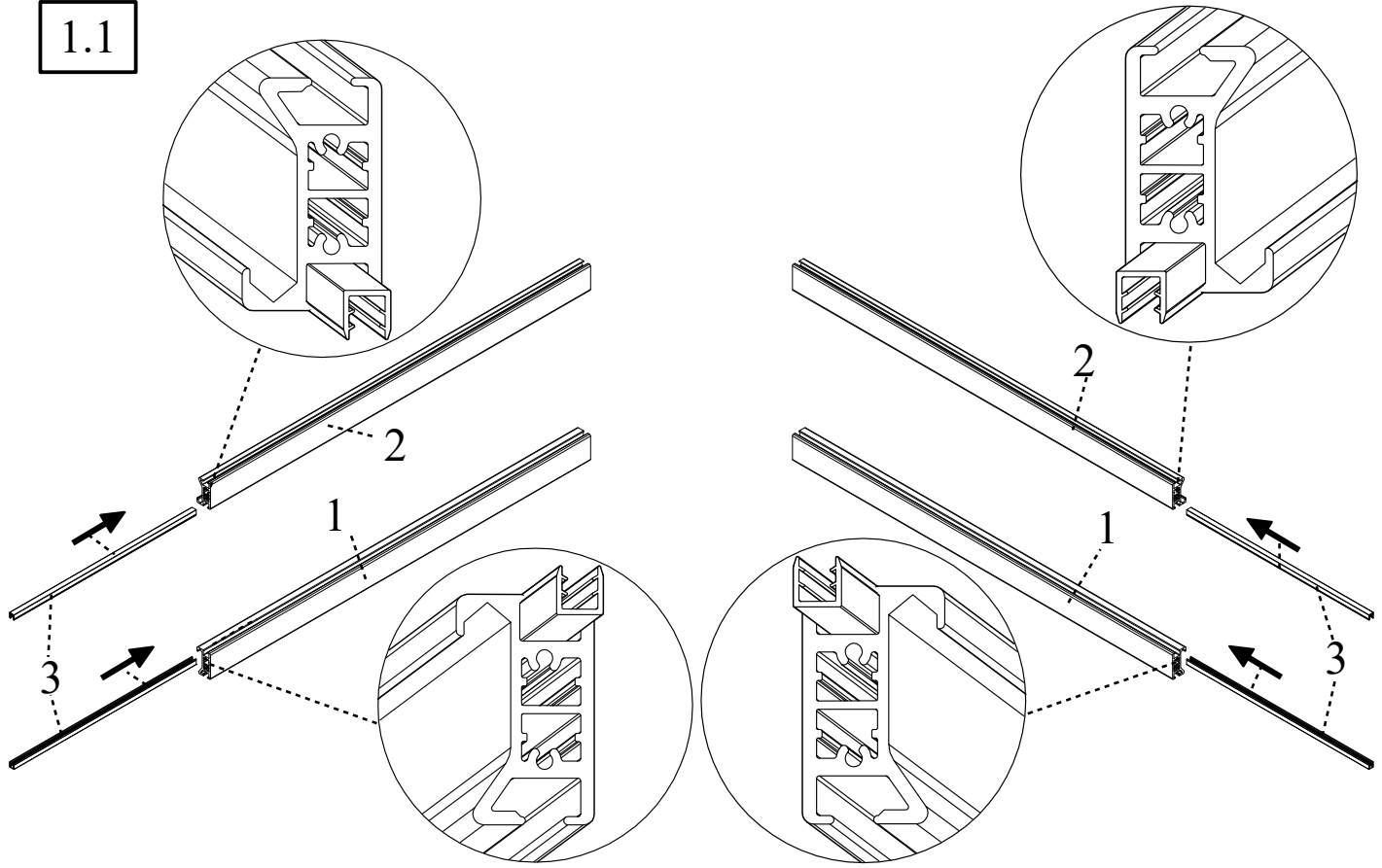


F

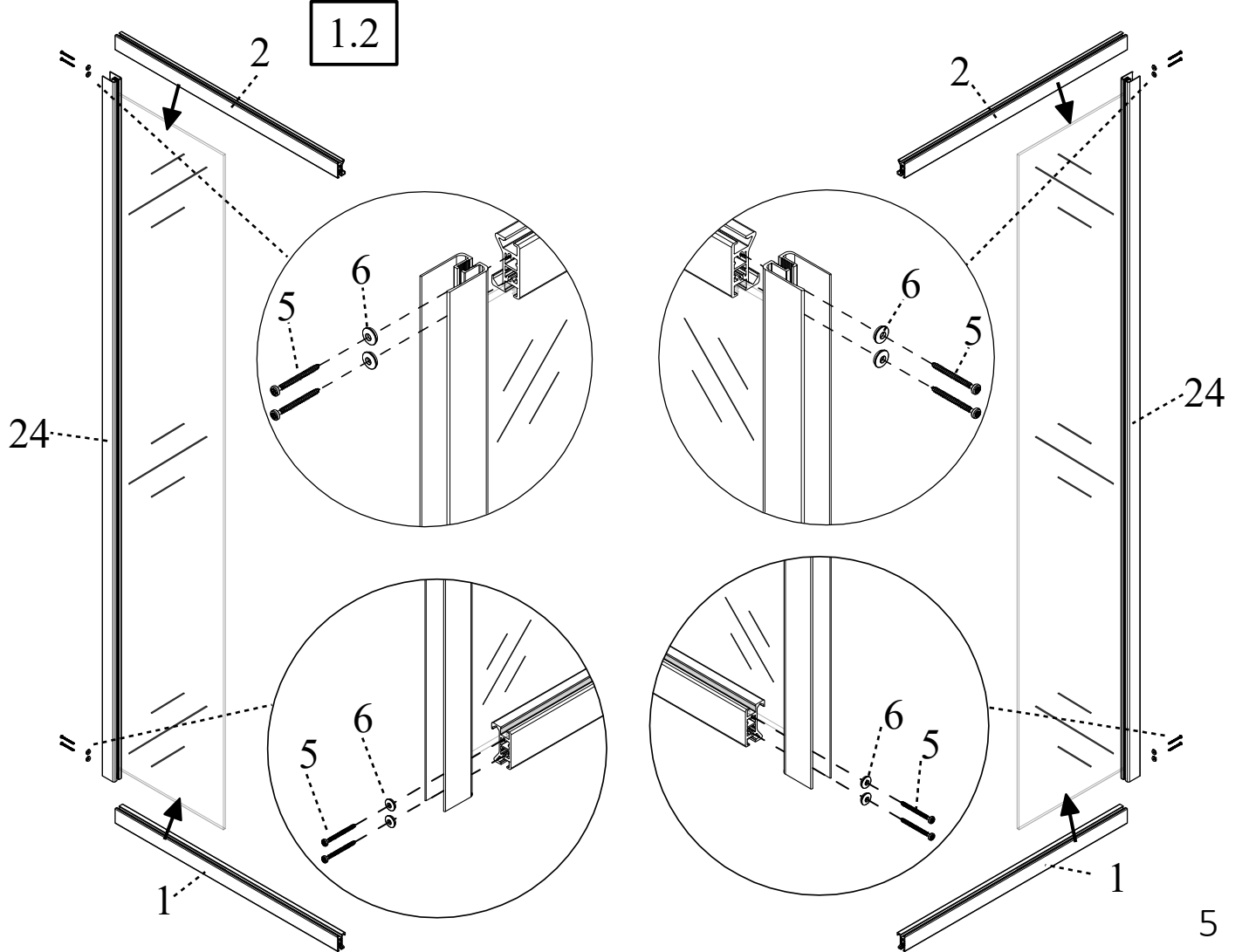
STEP 1/3



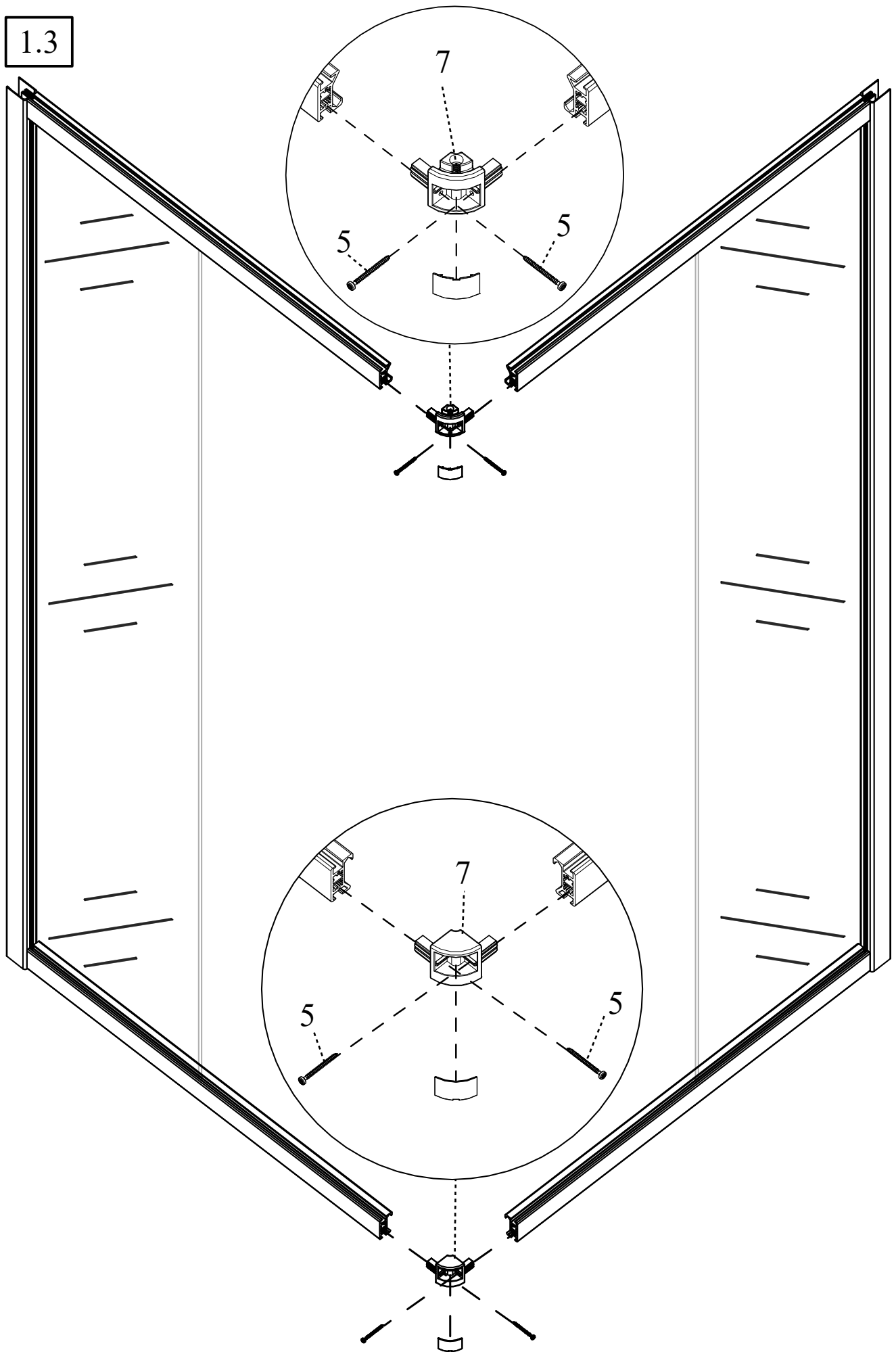
1.1



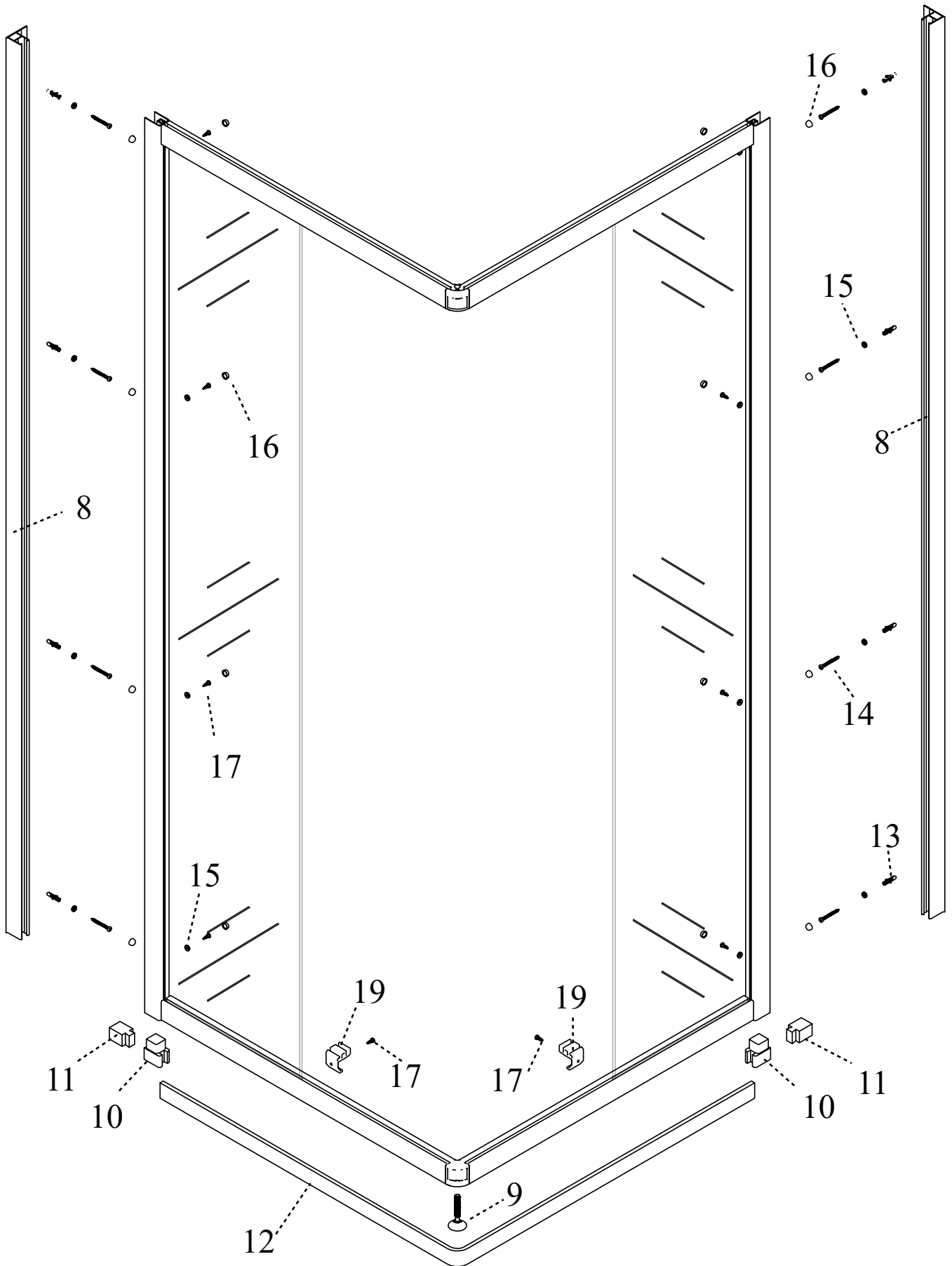
1.2



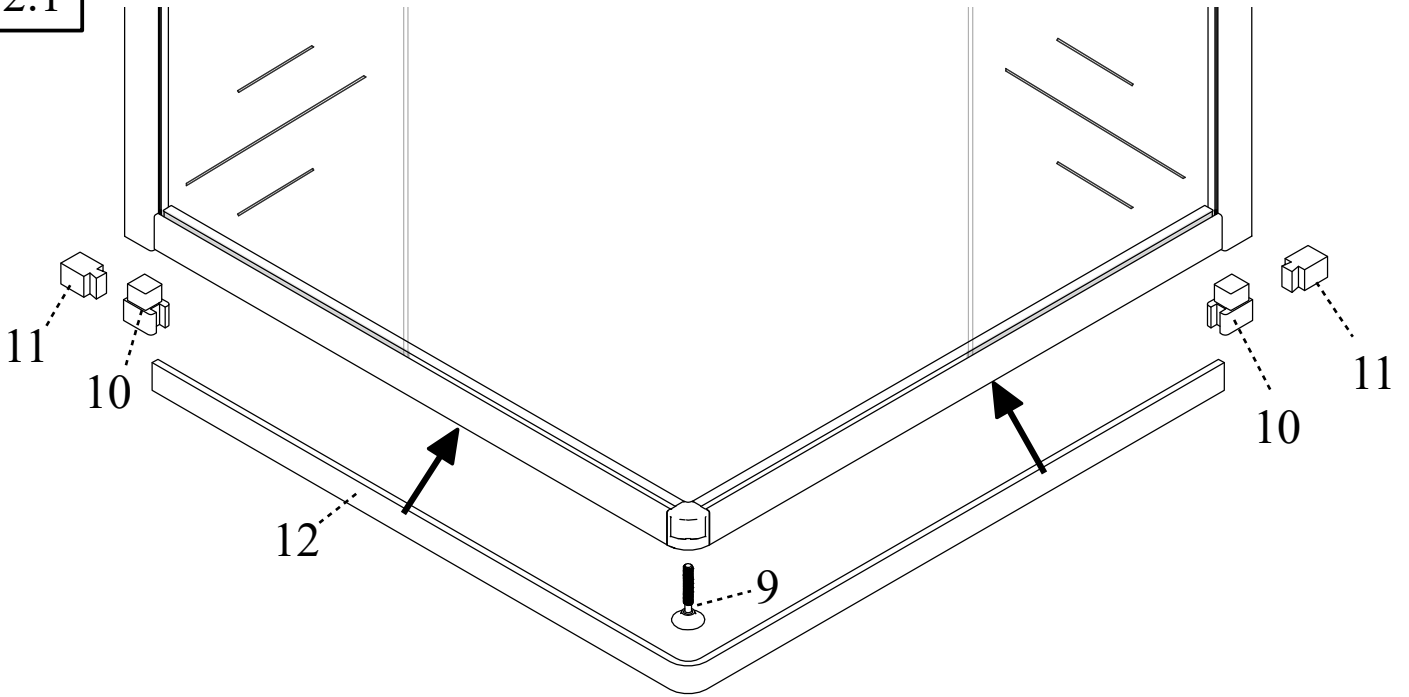
1.3



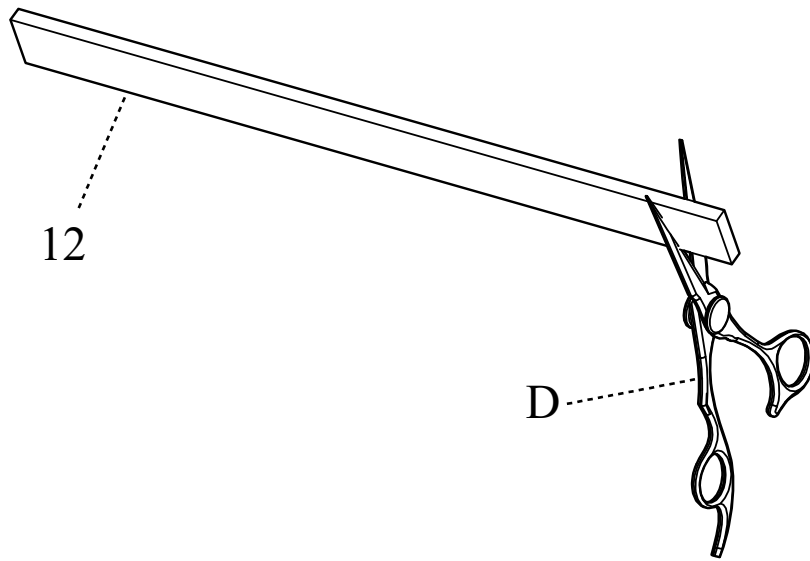
STEP 2/3



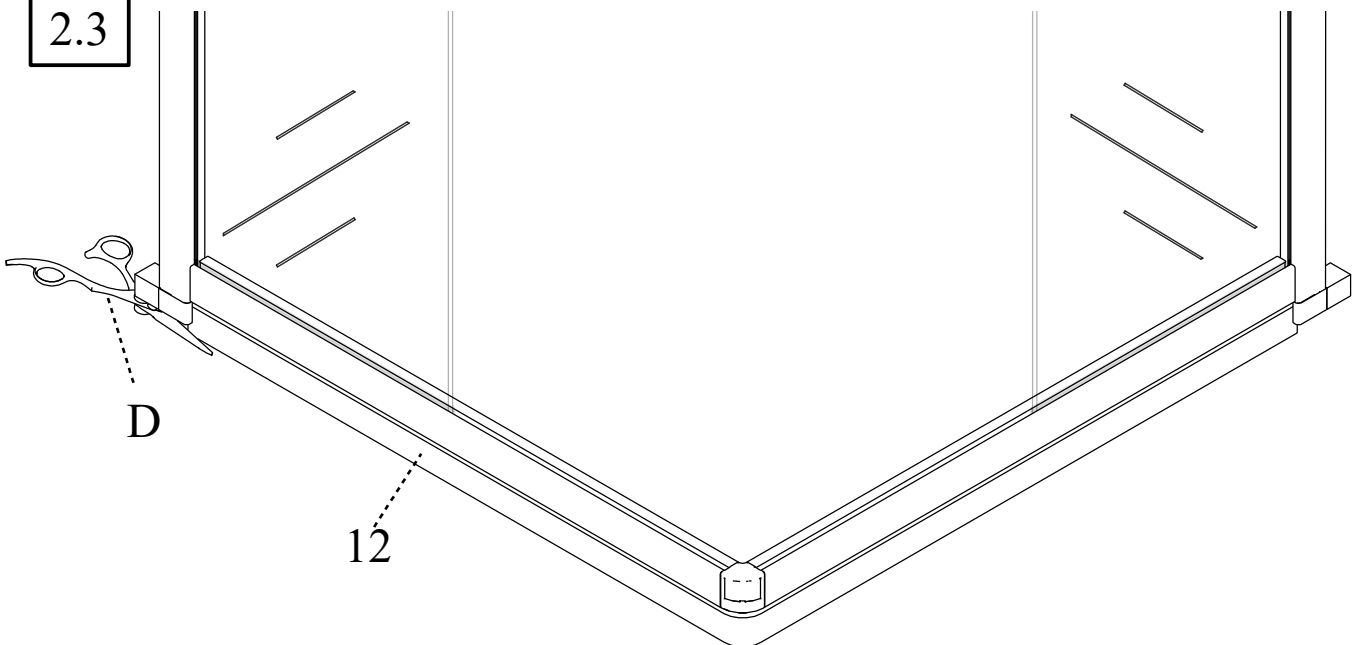
2.1



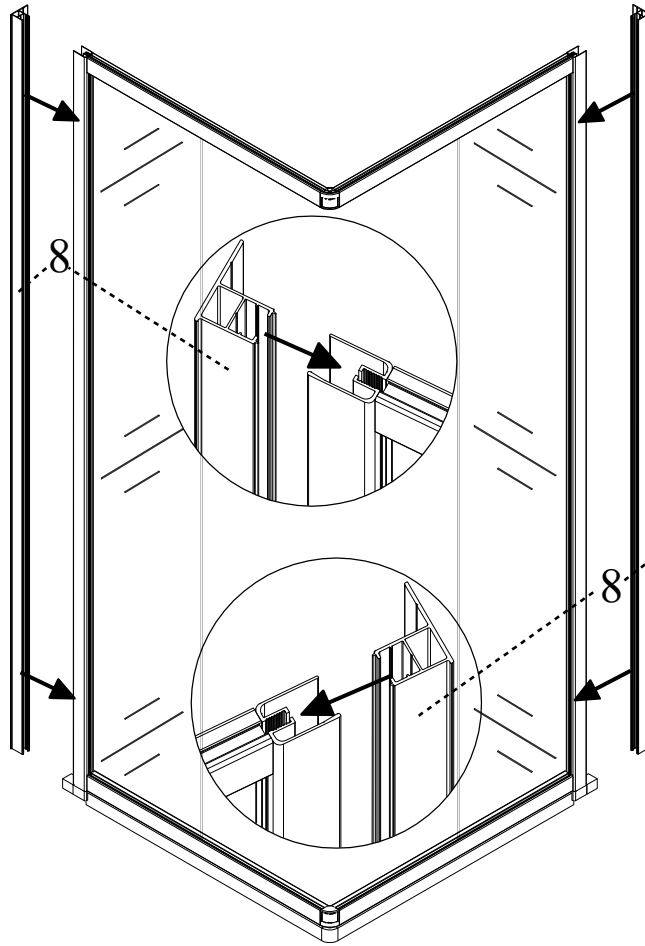
2.2



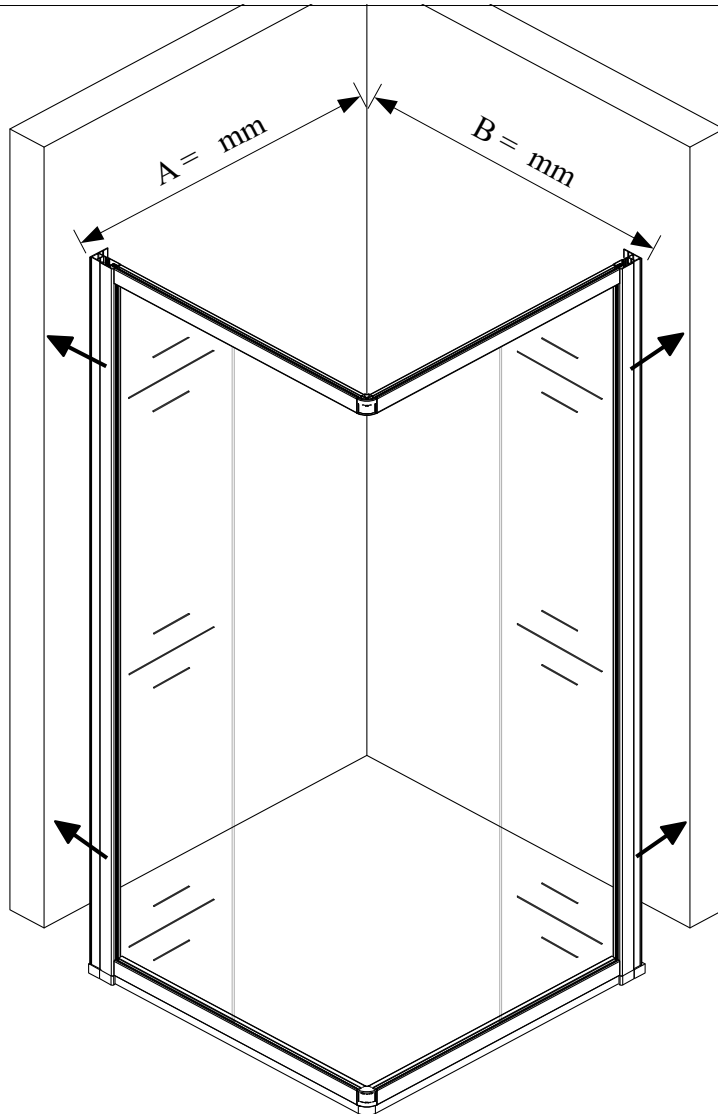
2.3



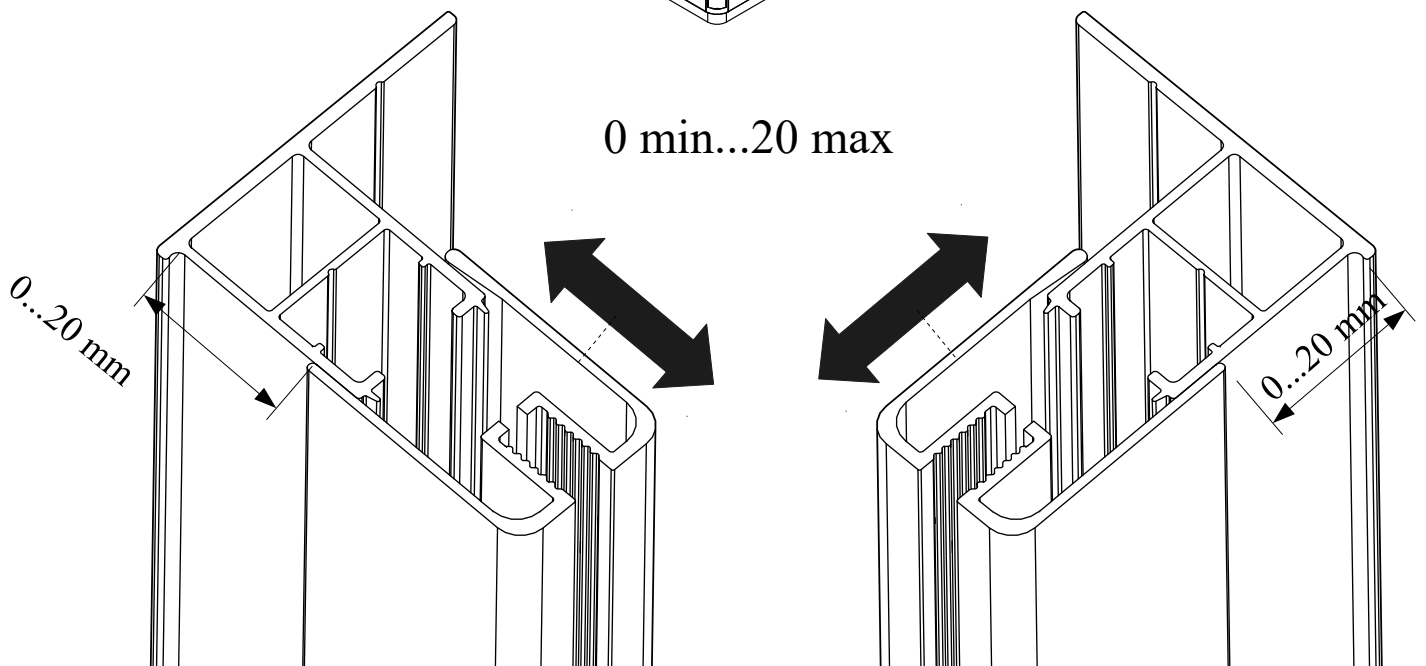
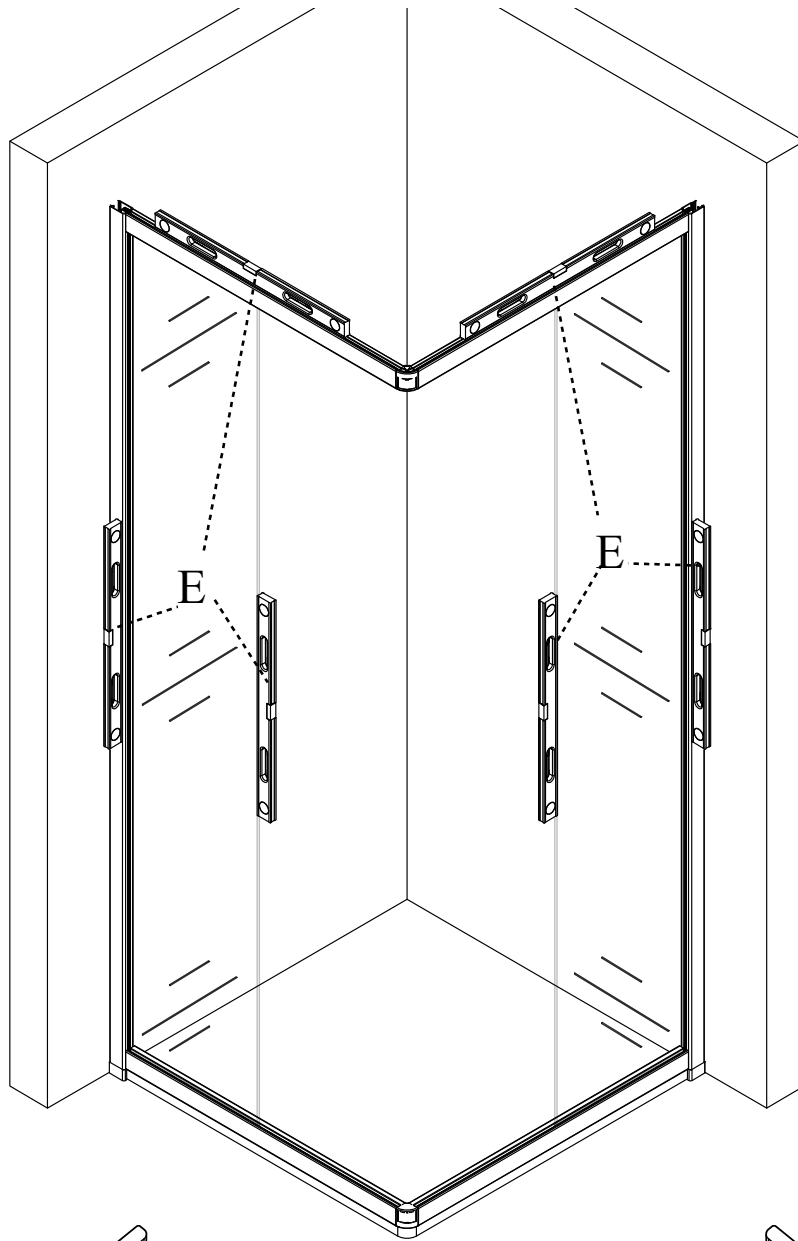
2.4



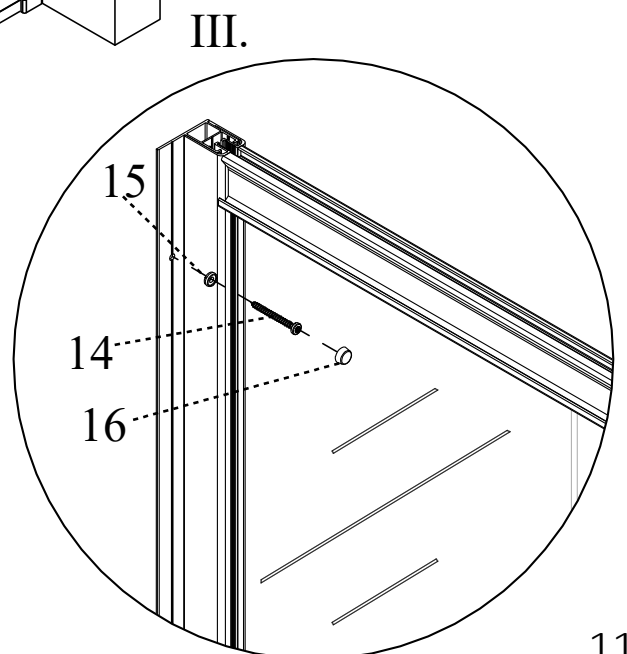
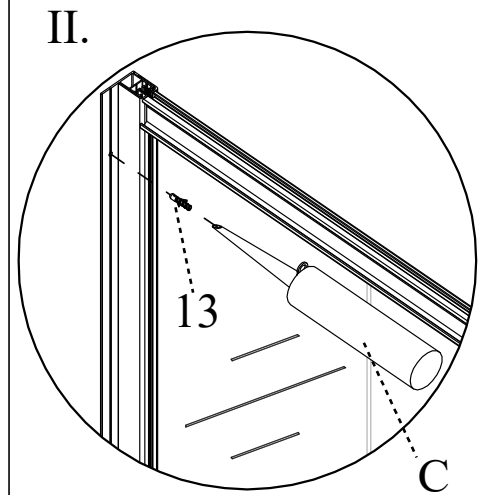
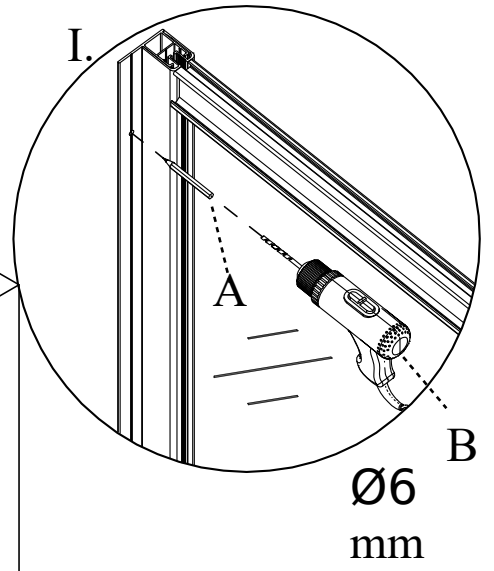
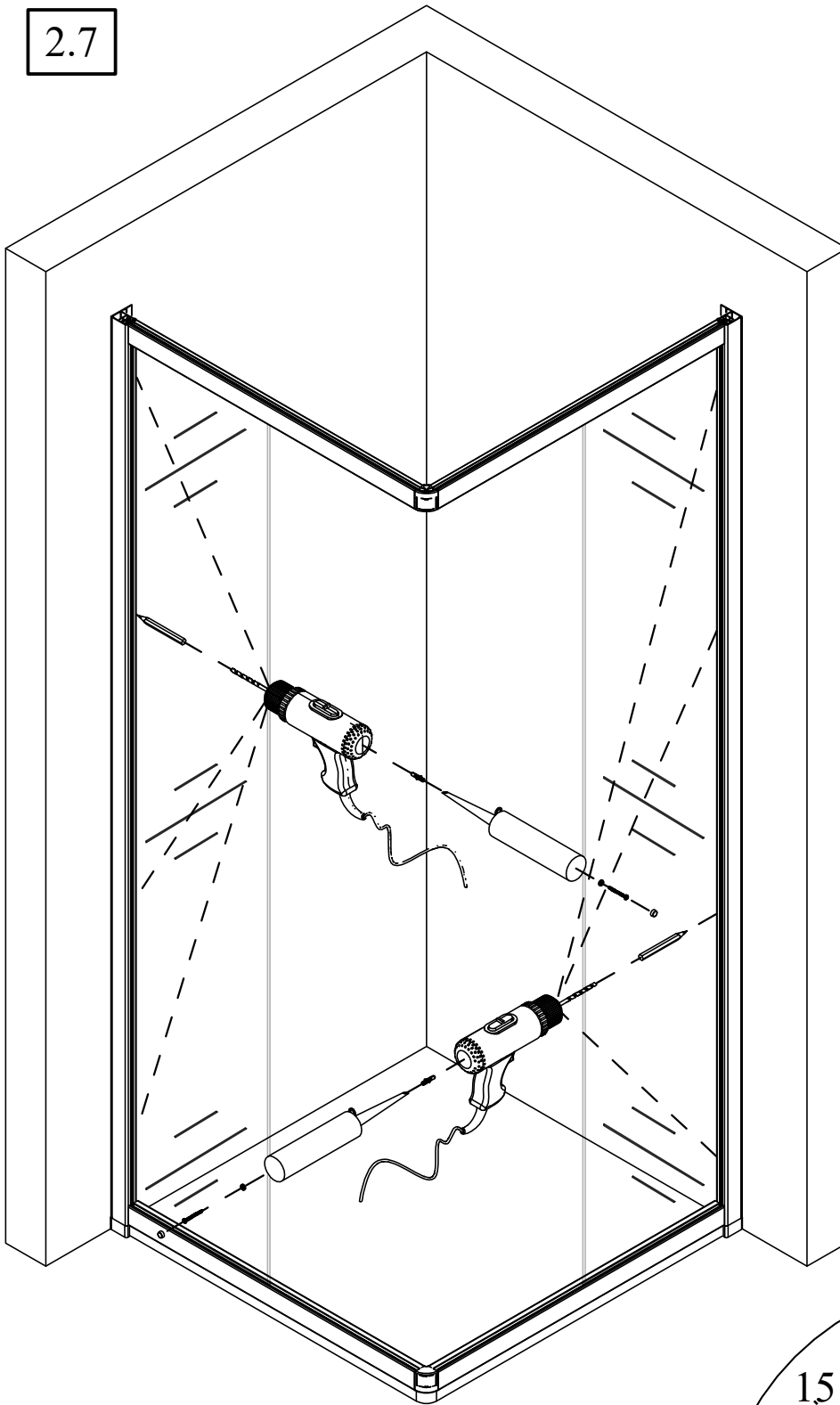
2.5



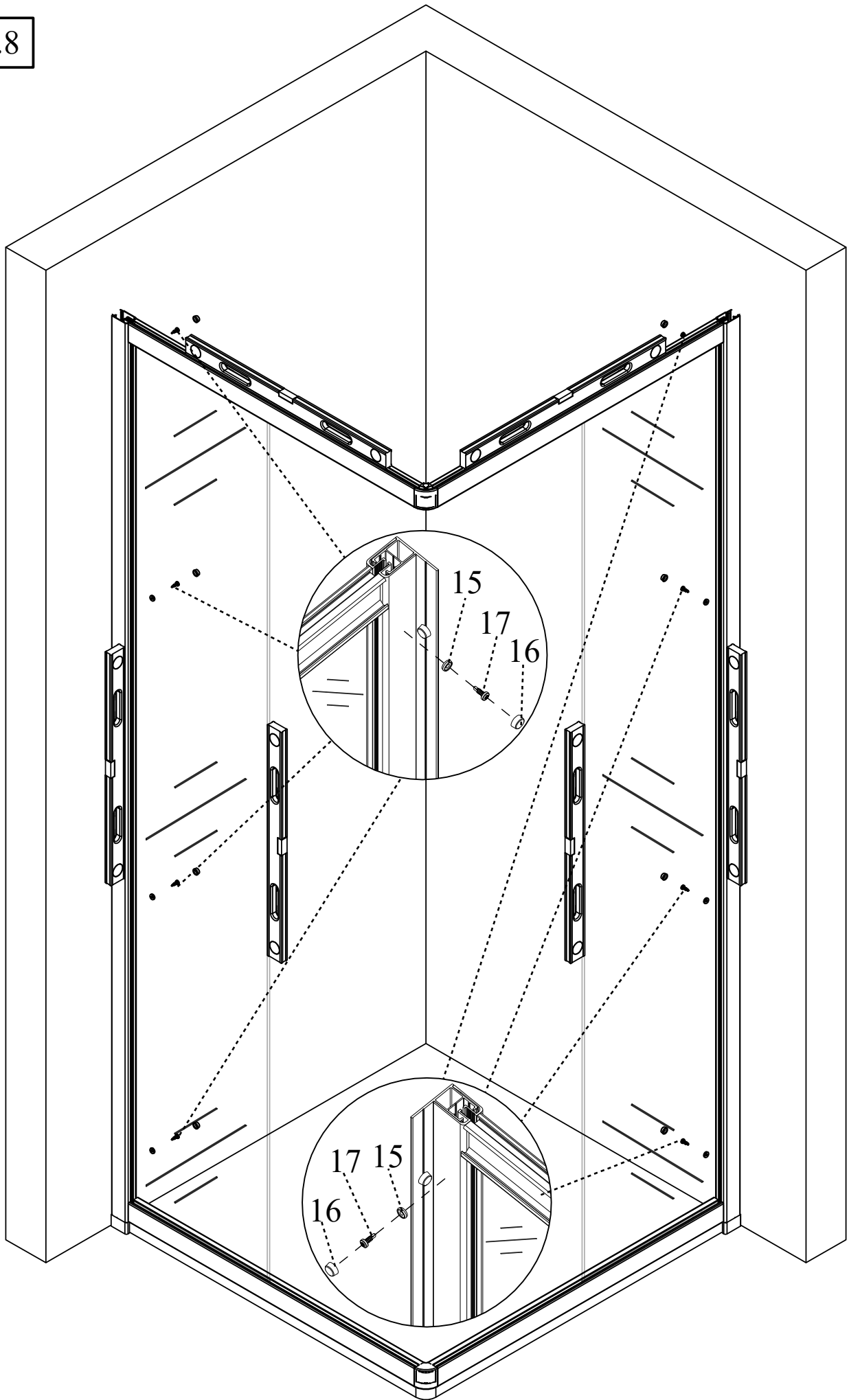
2.6

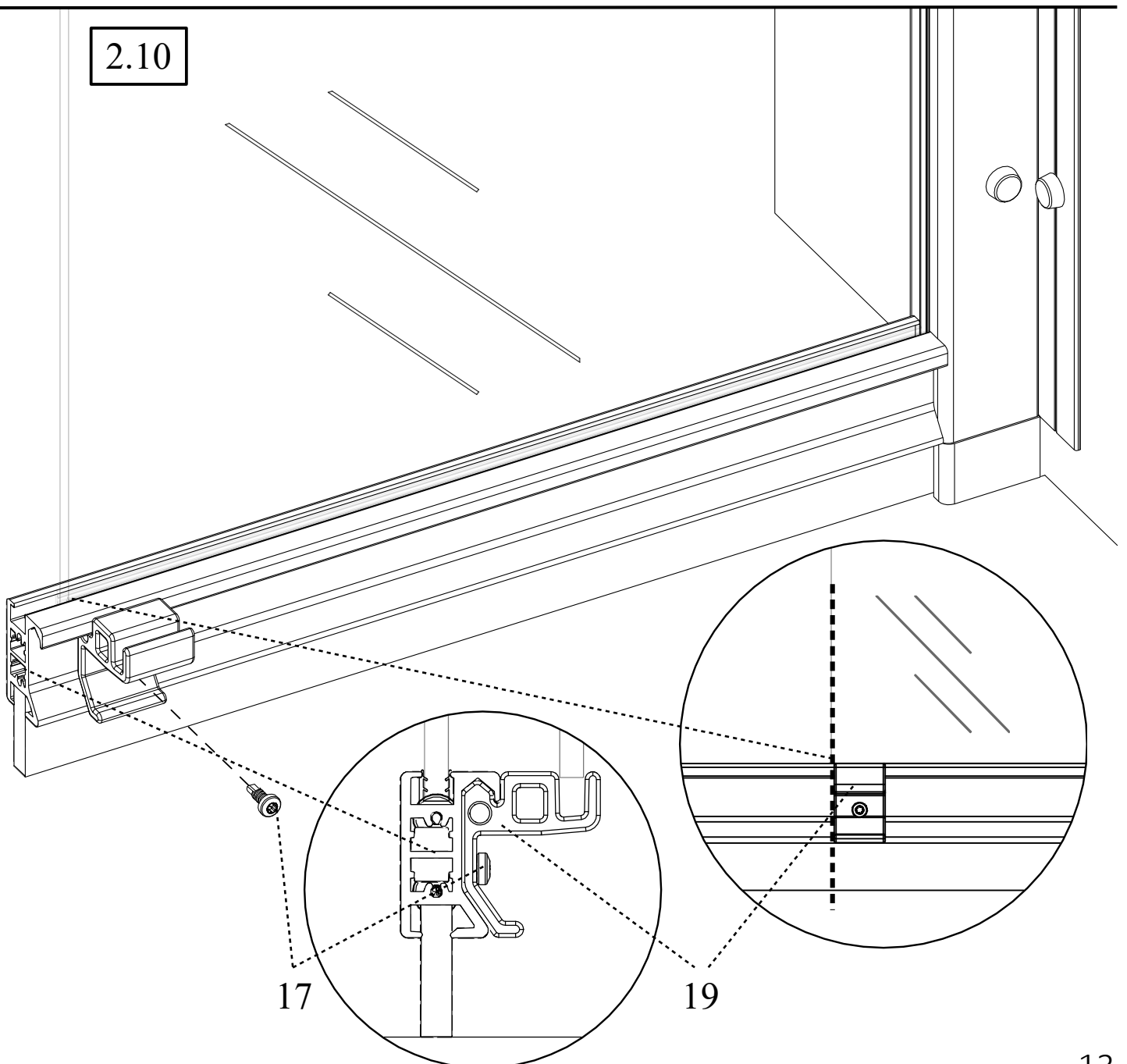
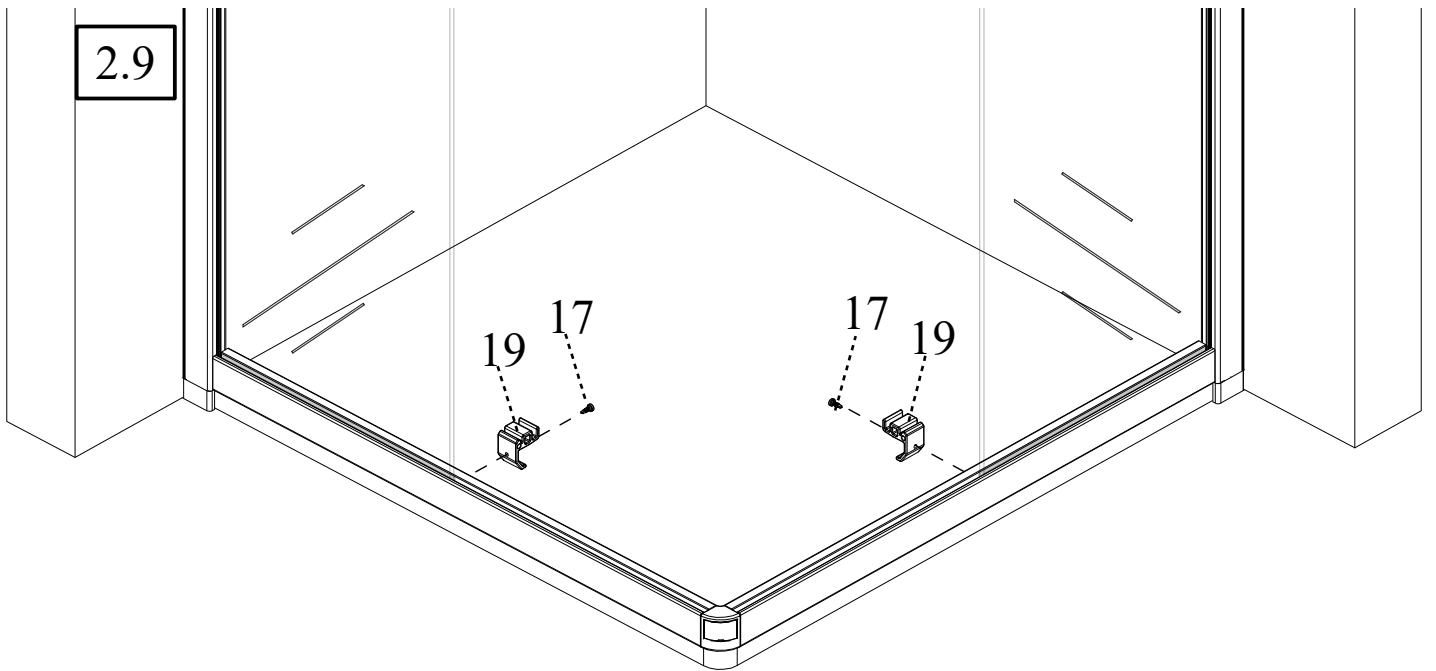


2.7

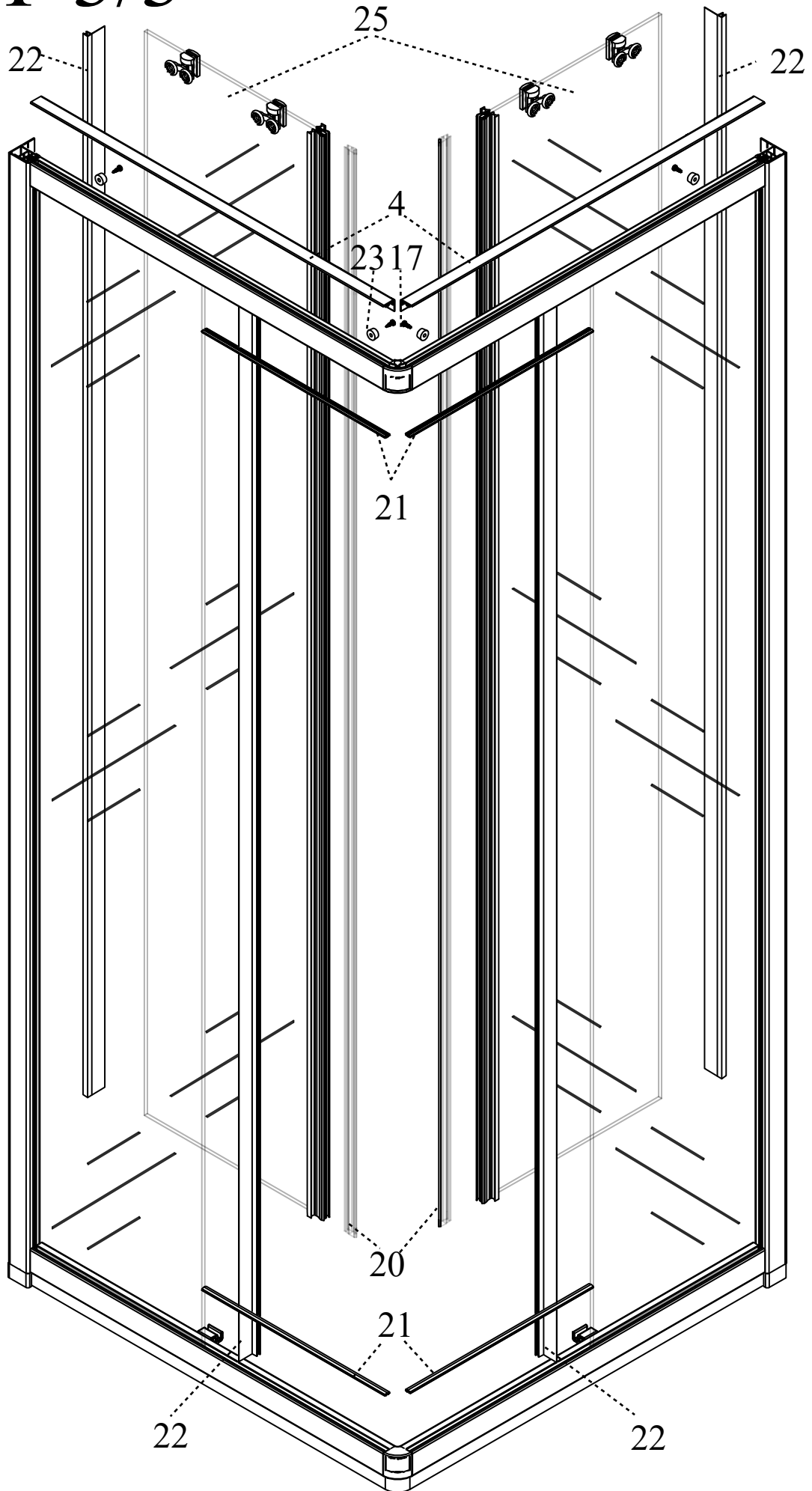


2.8

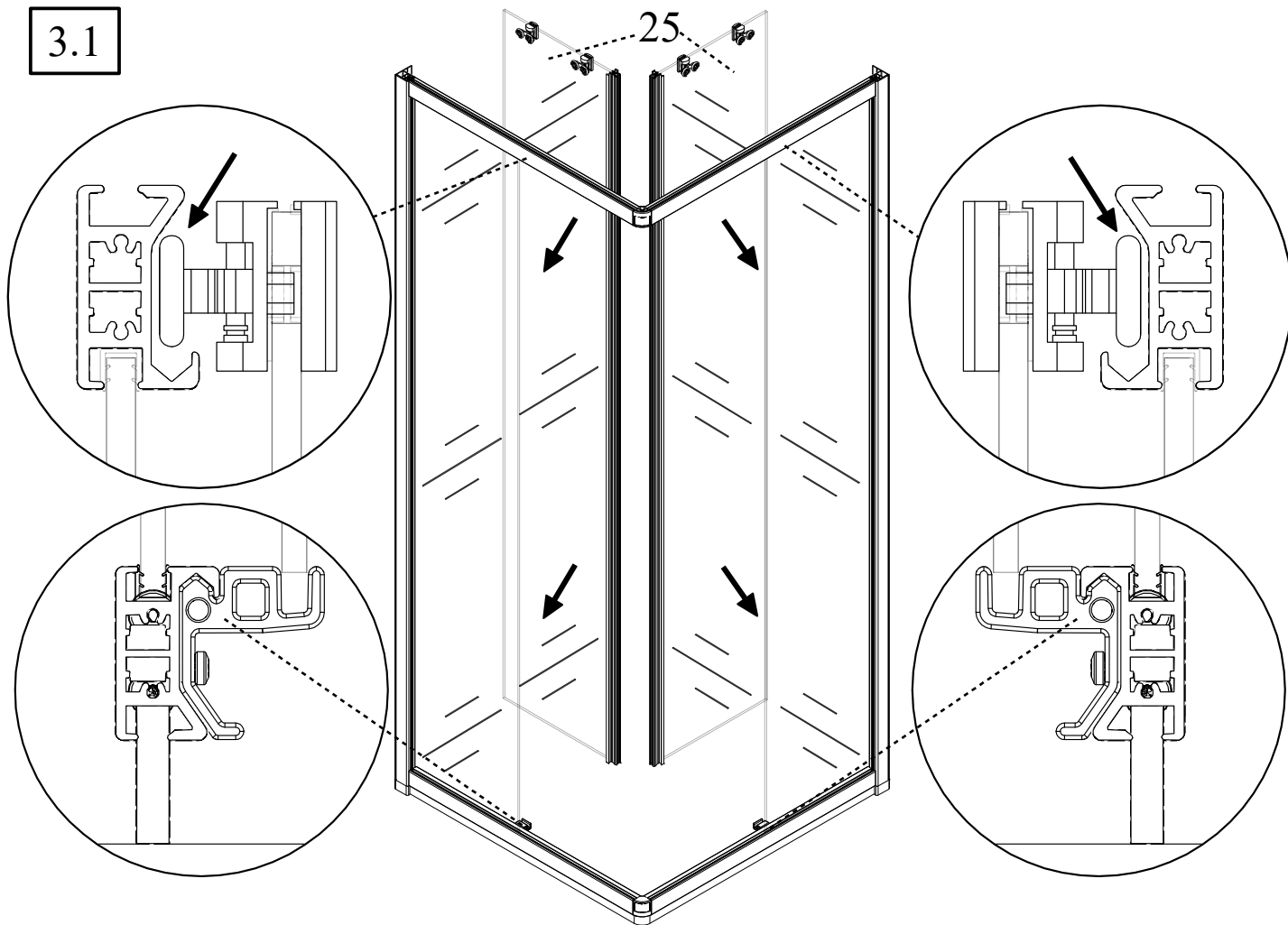




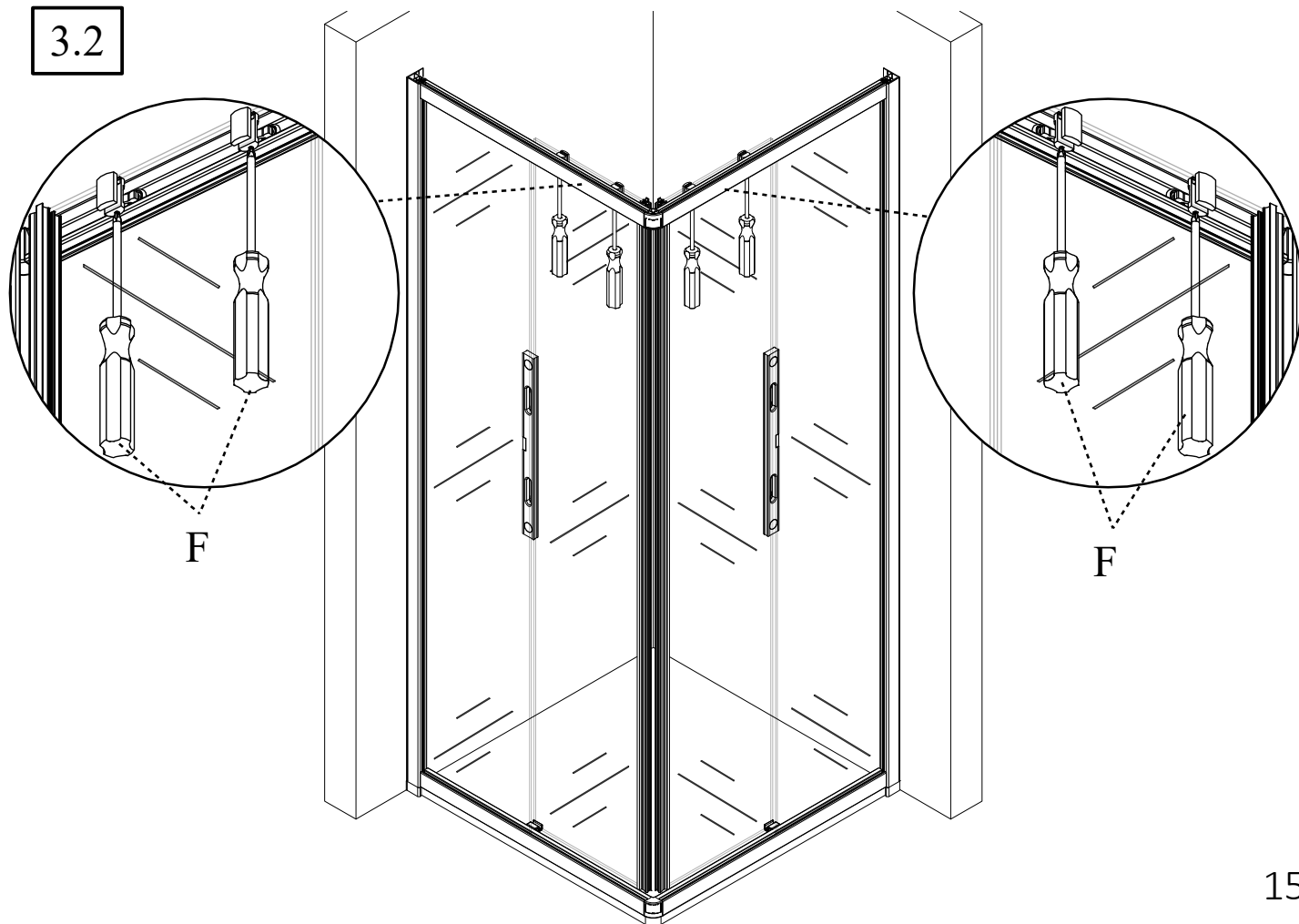
STEP 3/3



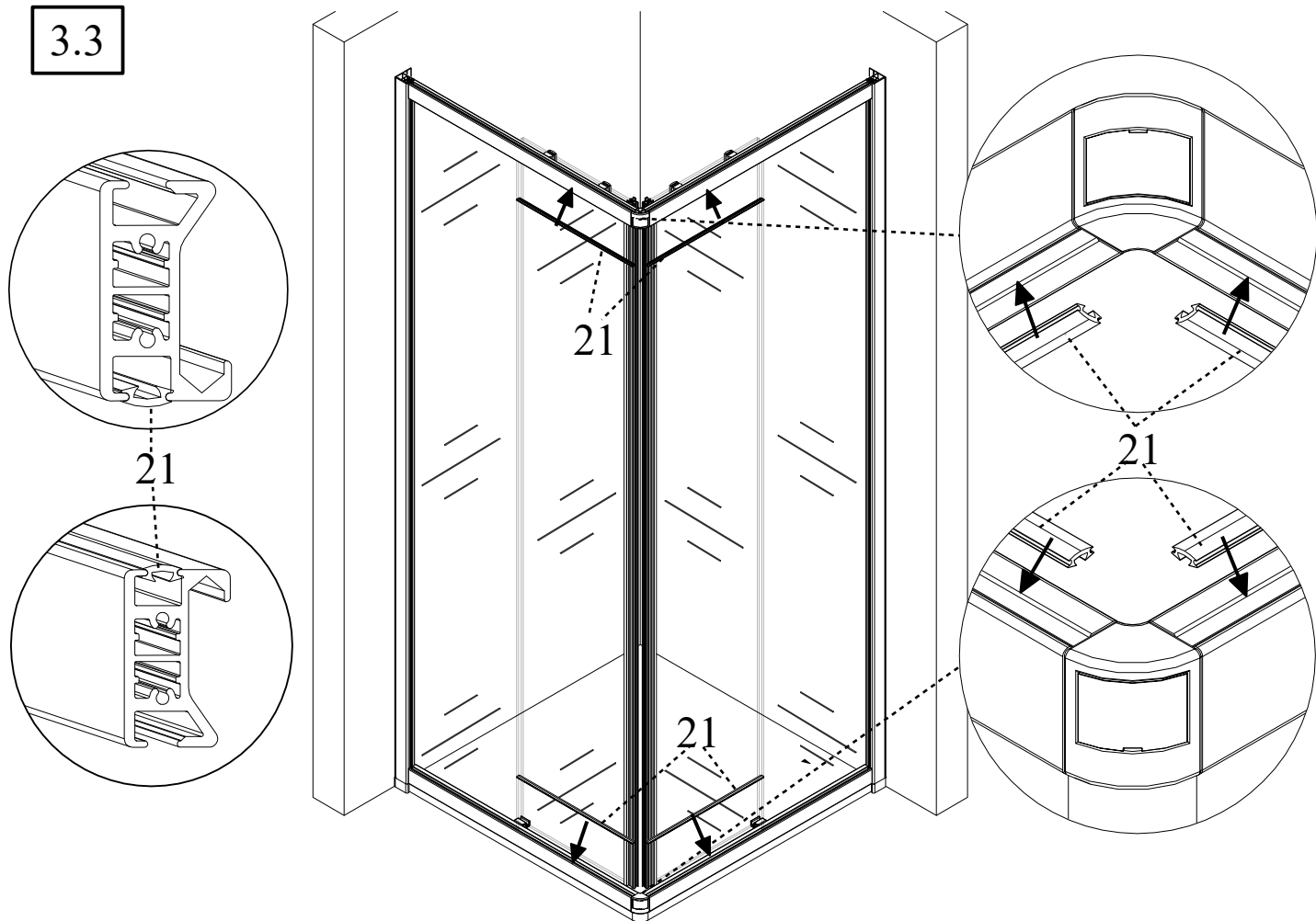
3.1



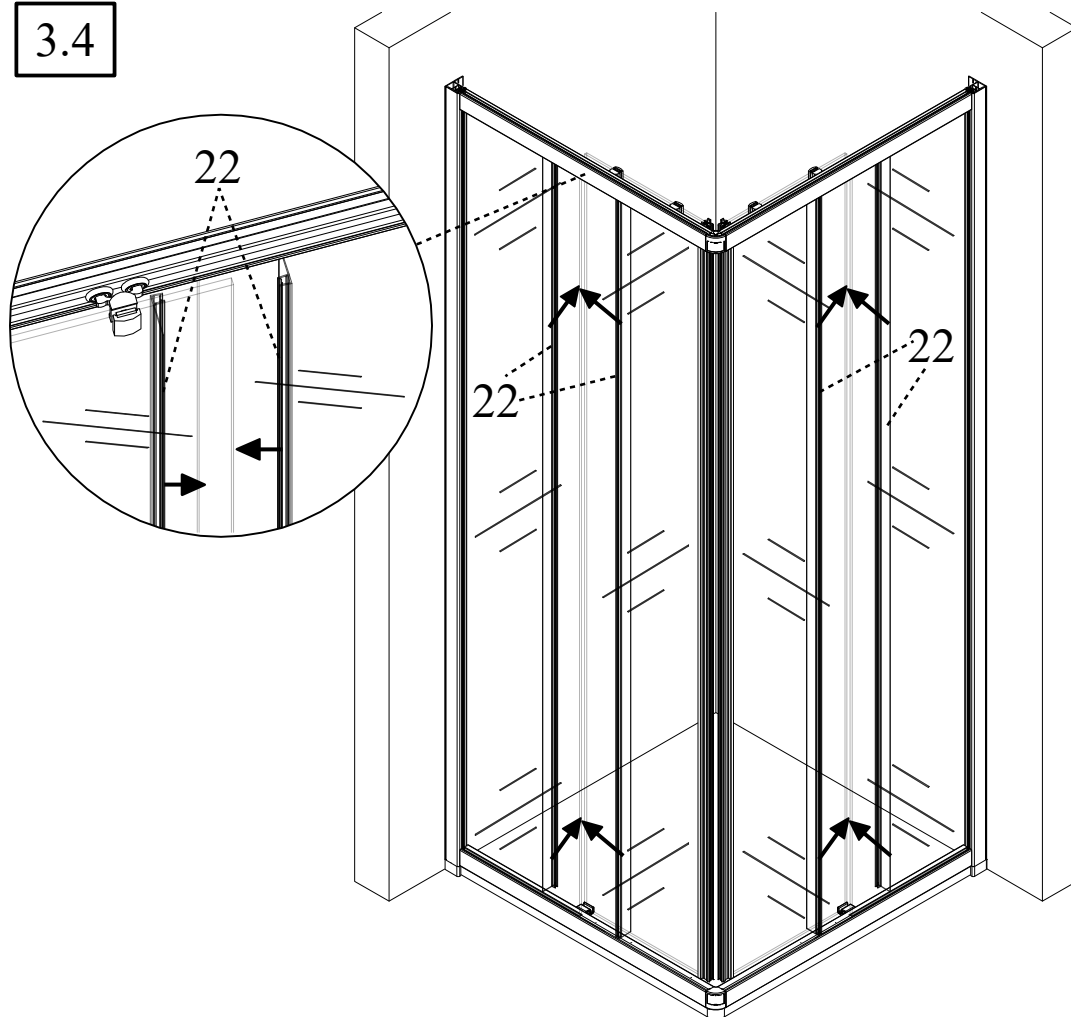
3.2



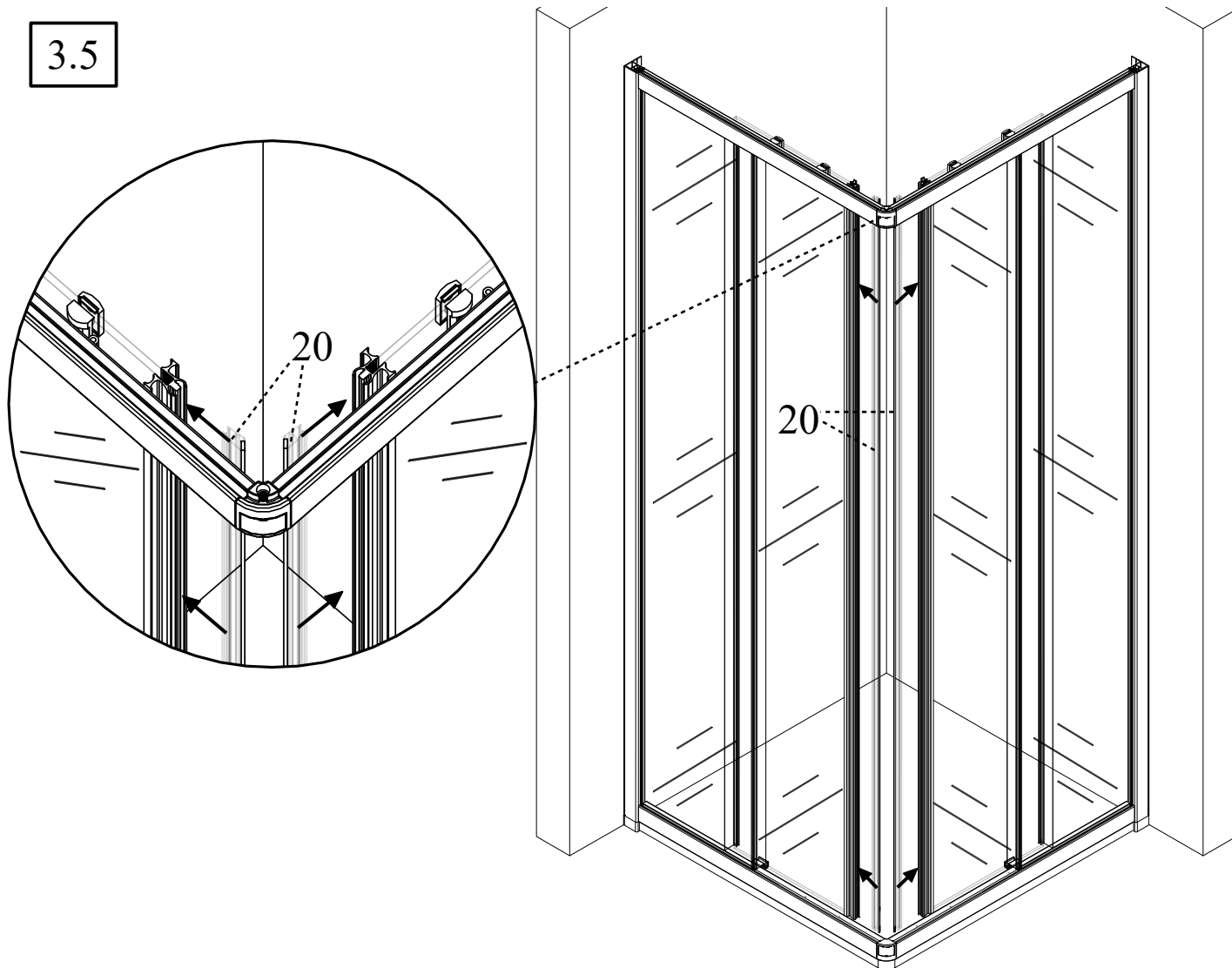
3.3



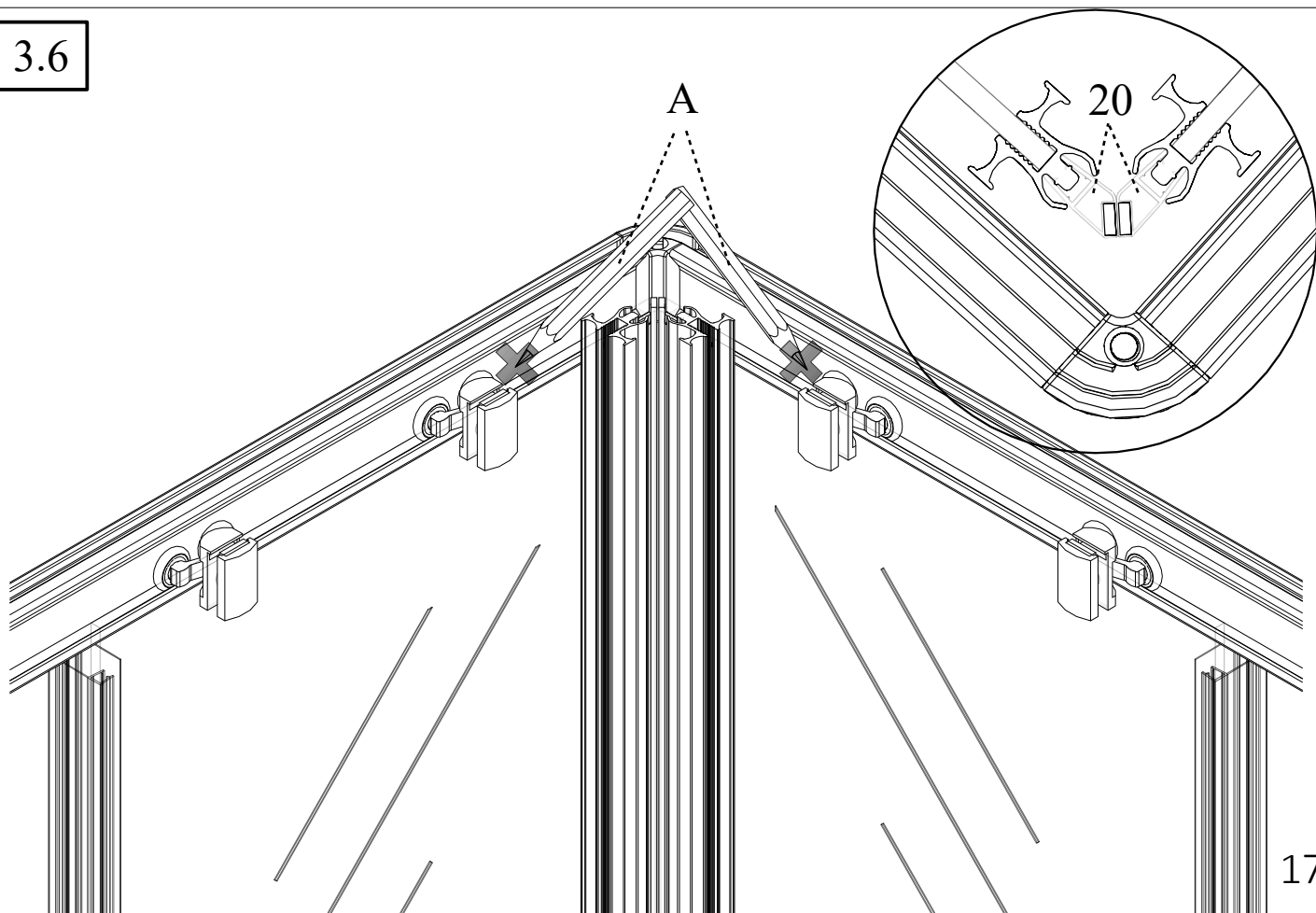
3.4



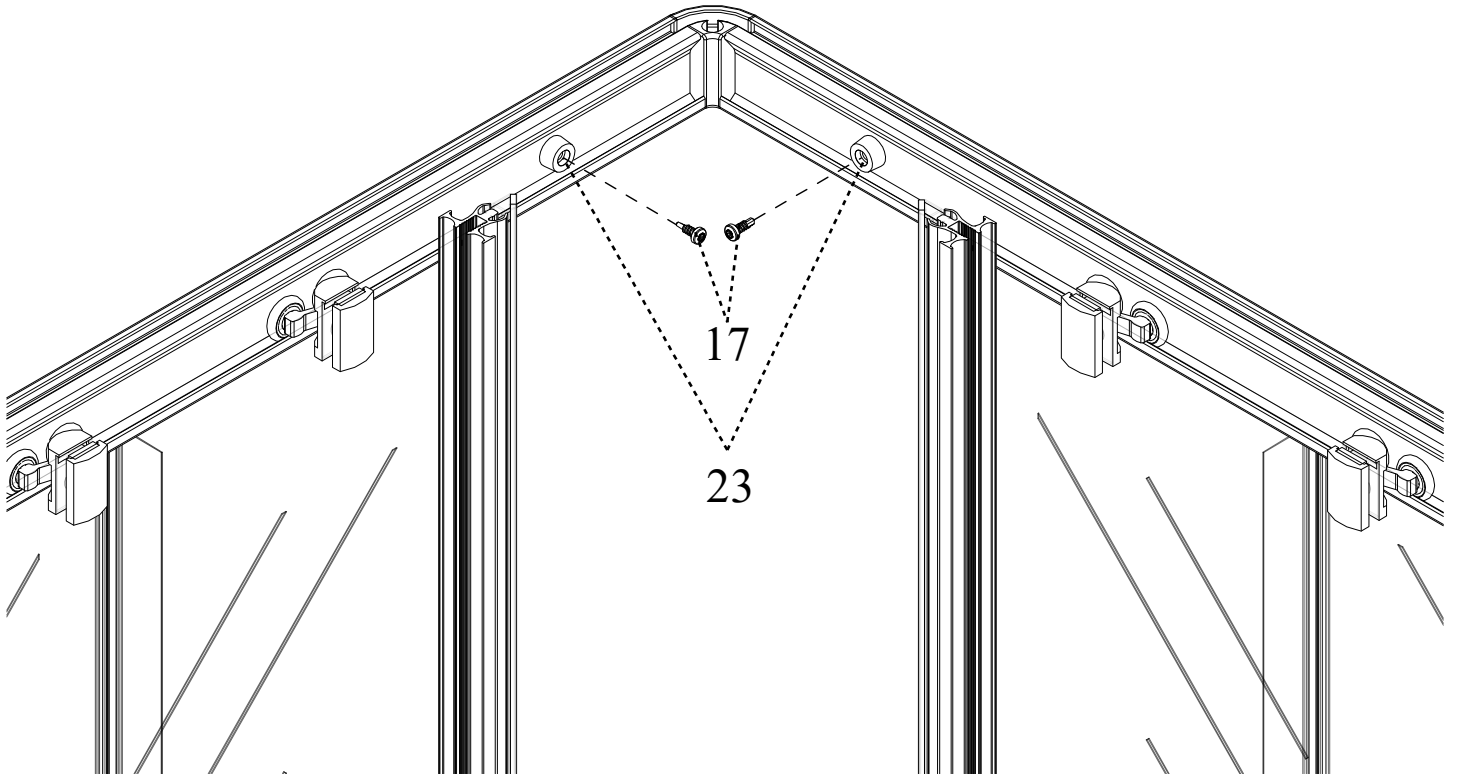
3.5



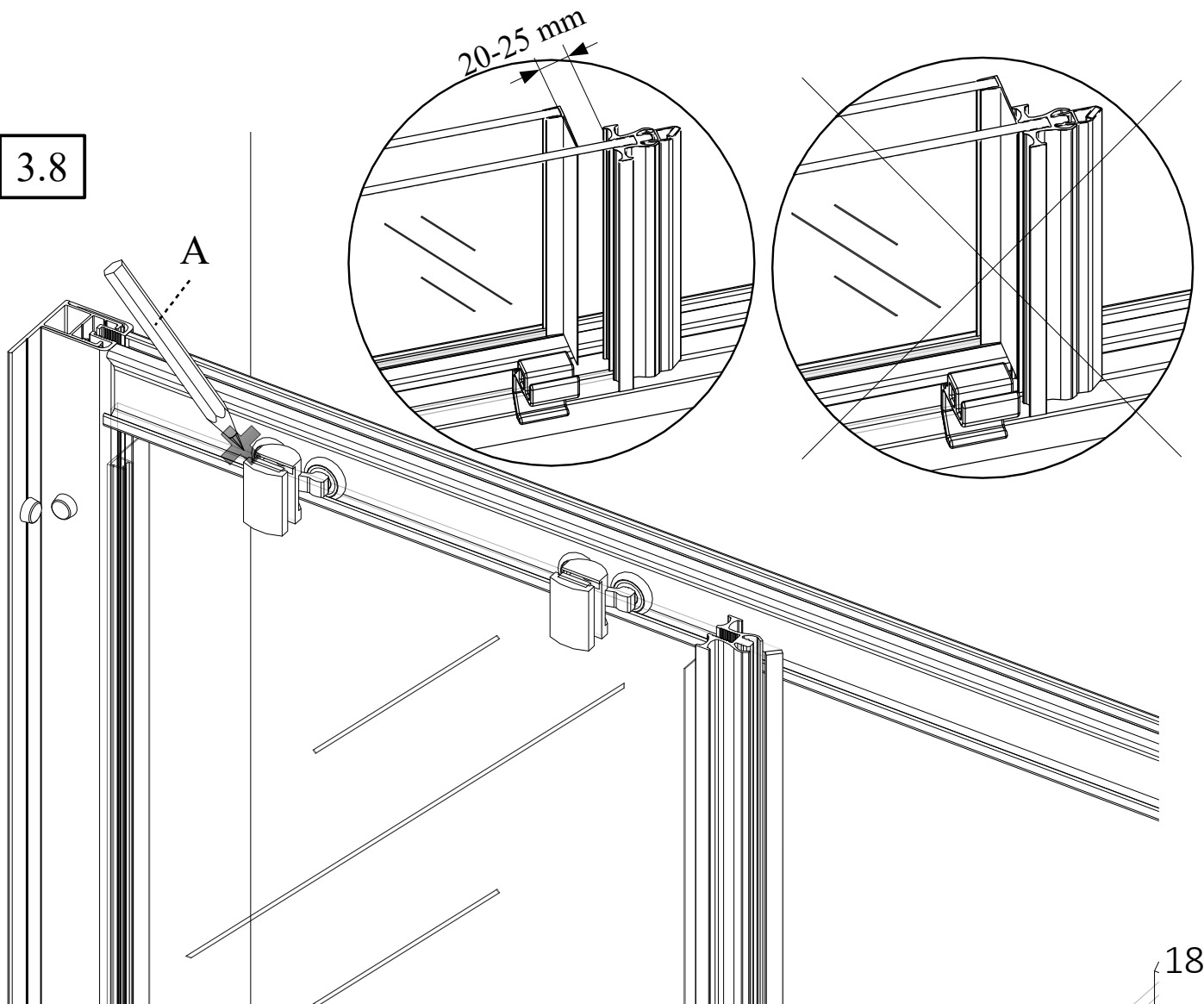
3.6



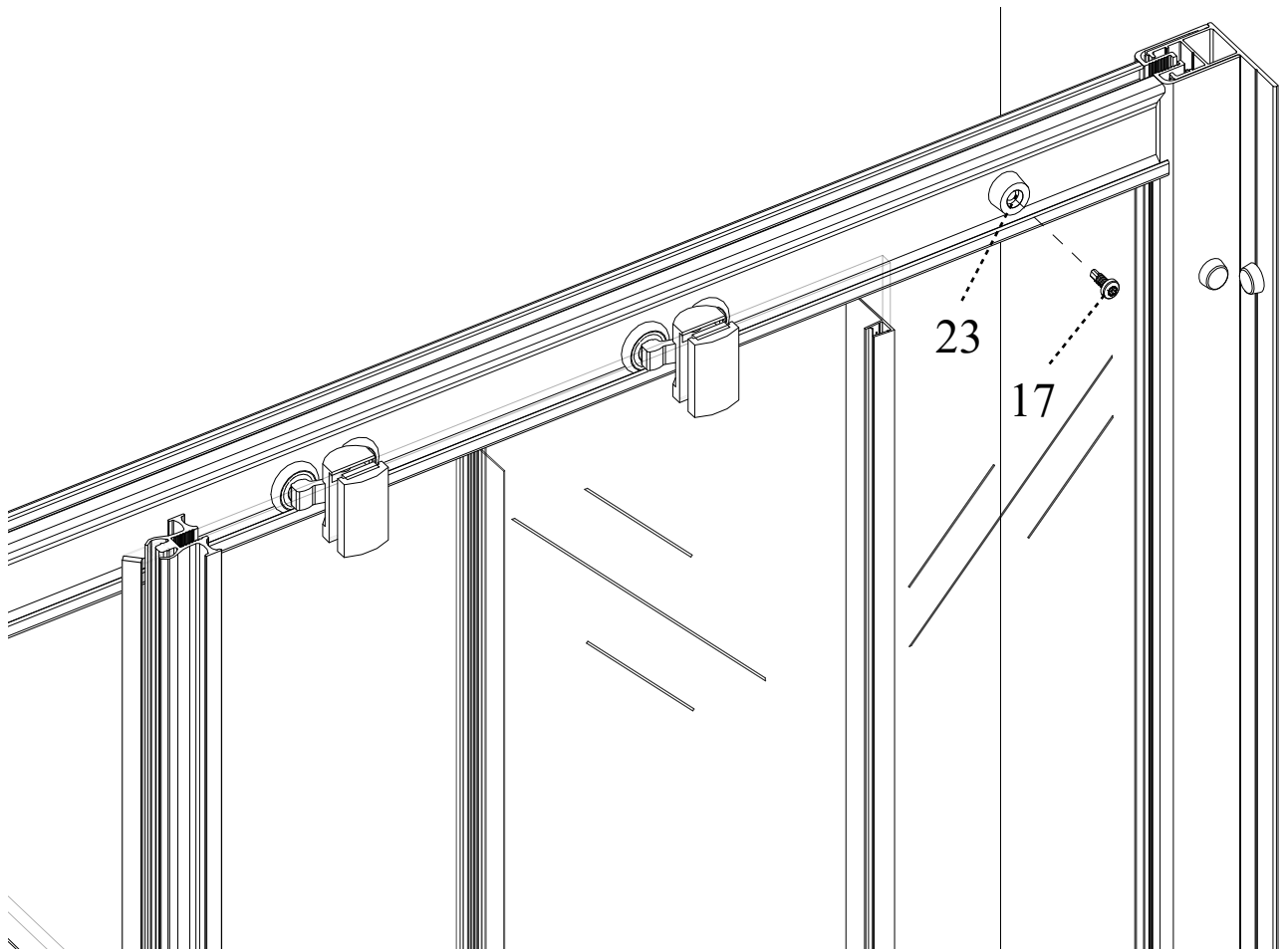
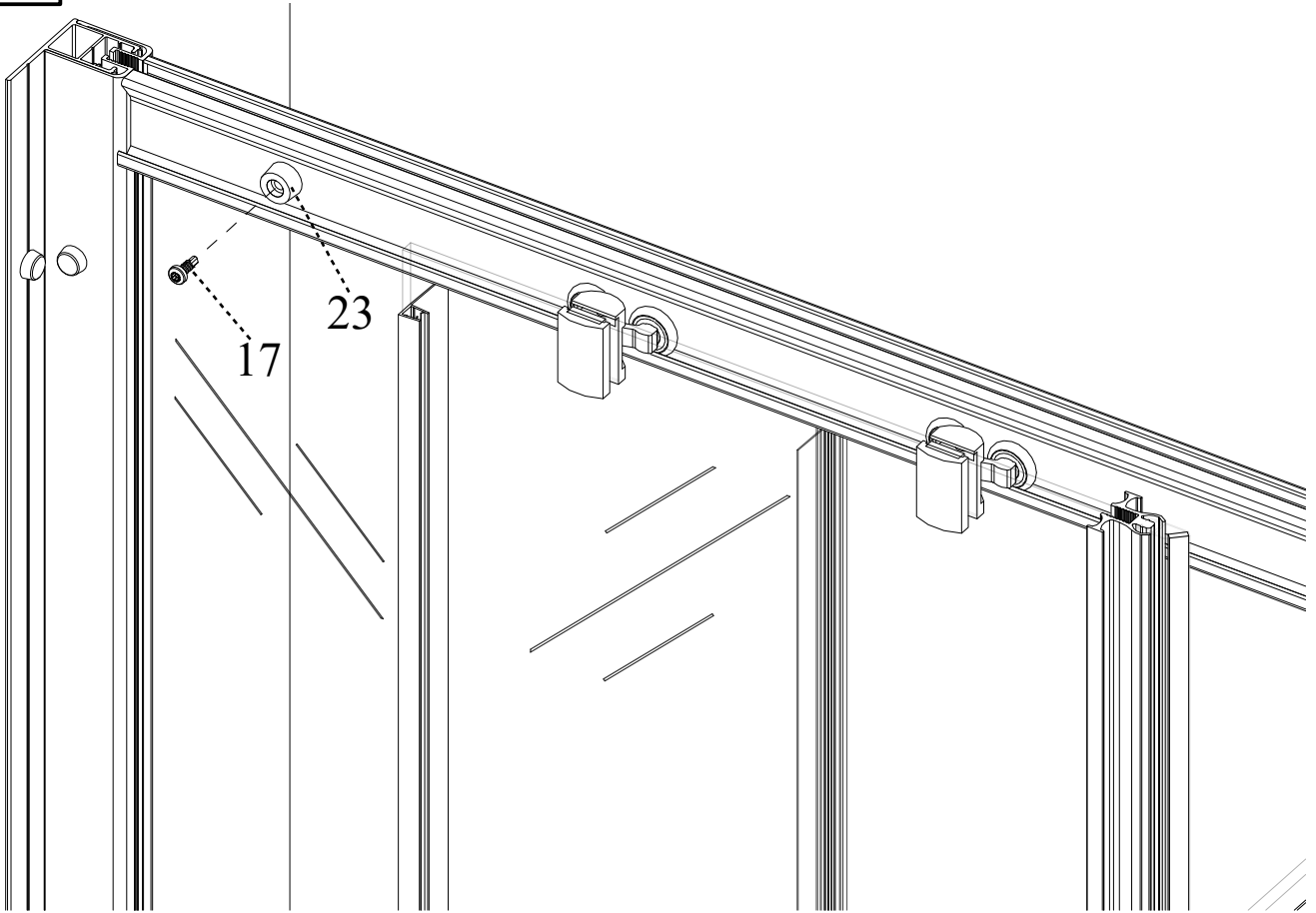
3.7



3.8



3.9



3.10

