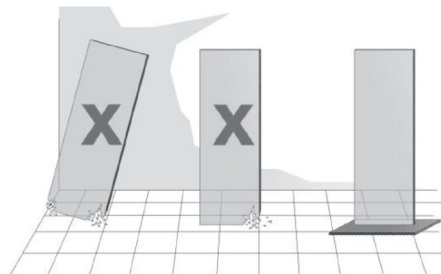
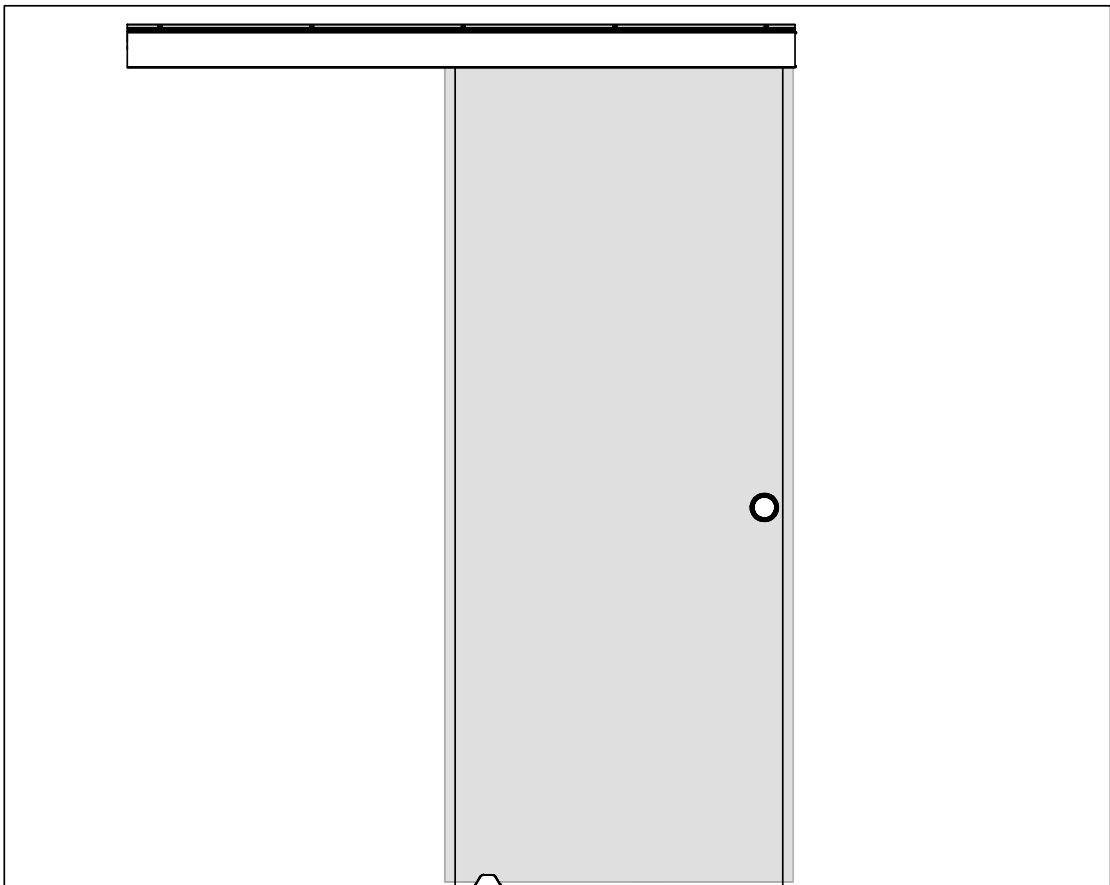
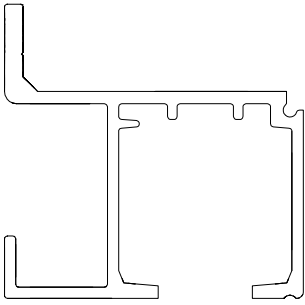


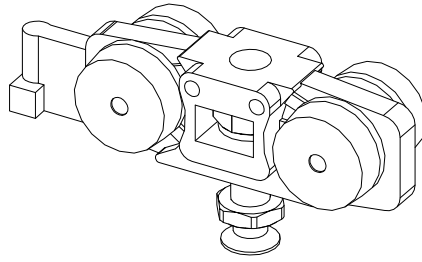
611



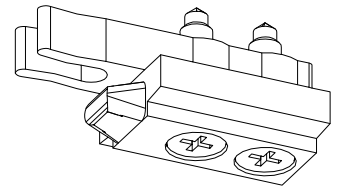
Parts



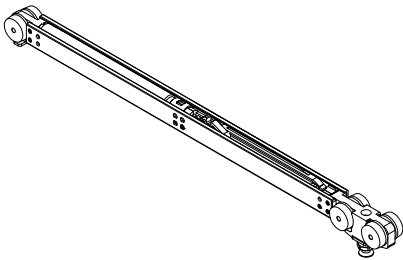
1. x1



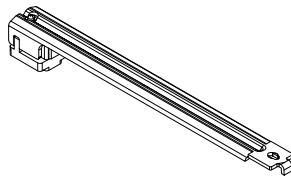
2. A x1
B x0



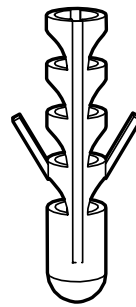
3. A x1
B x0



4. A x1
B x2



5. A x1
B x2

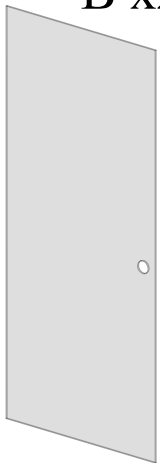


4/83 13RLM

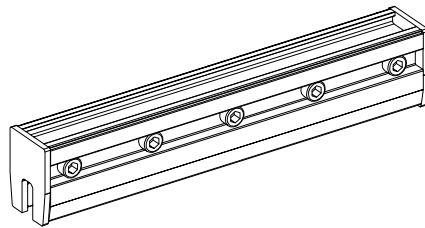


4/83 11RLM

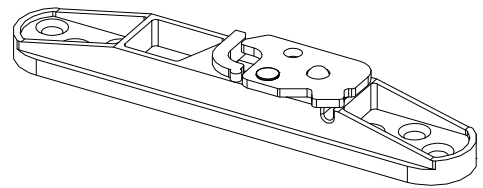
6. 6x30 mm x11 7. 3.5x39 mm x11



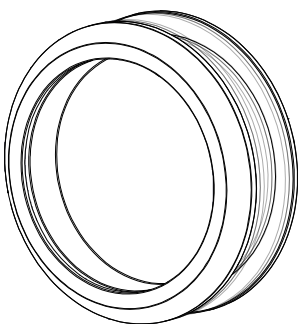
8. x1



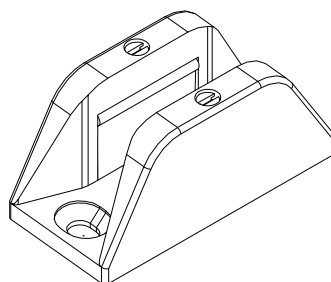
9. x2



10. x2



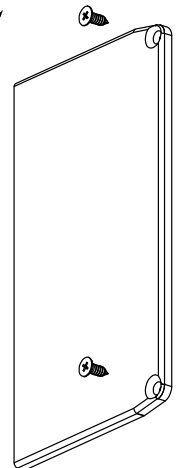
11. x1



12. x1

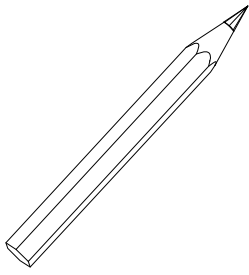


13. x1

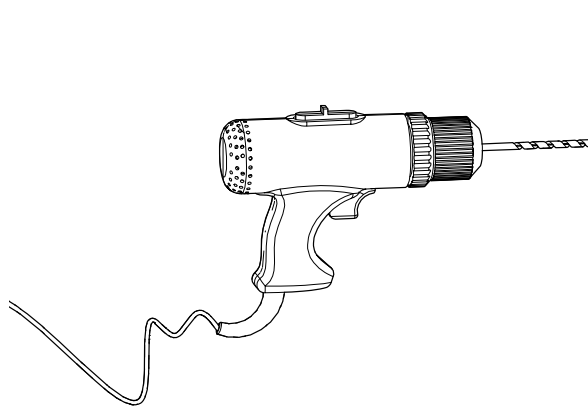


14. x2

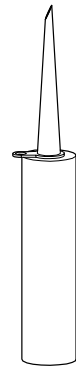
Tools



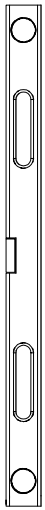
A



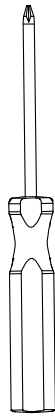
Ø6 mm
B



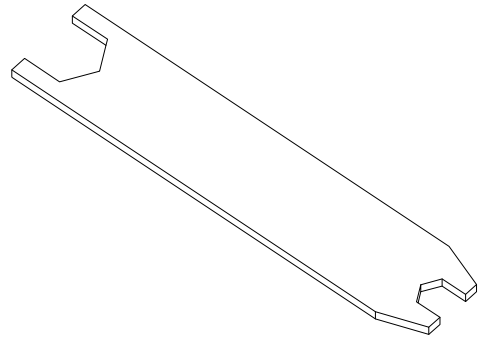
C – Silicone
D – Glue



E

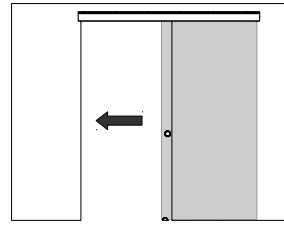
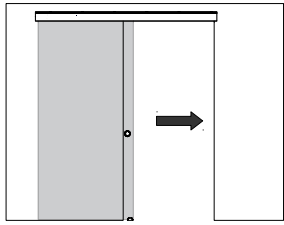


F



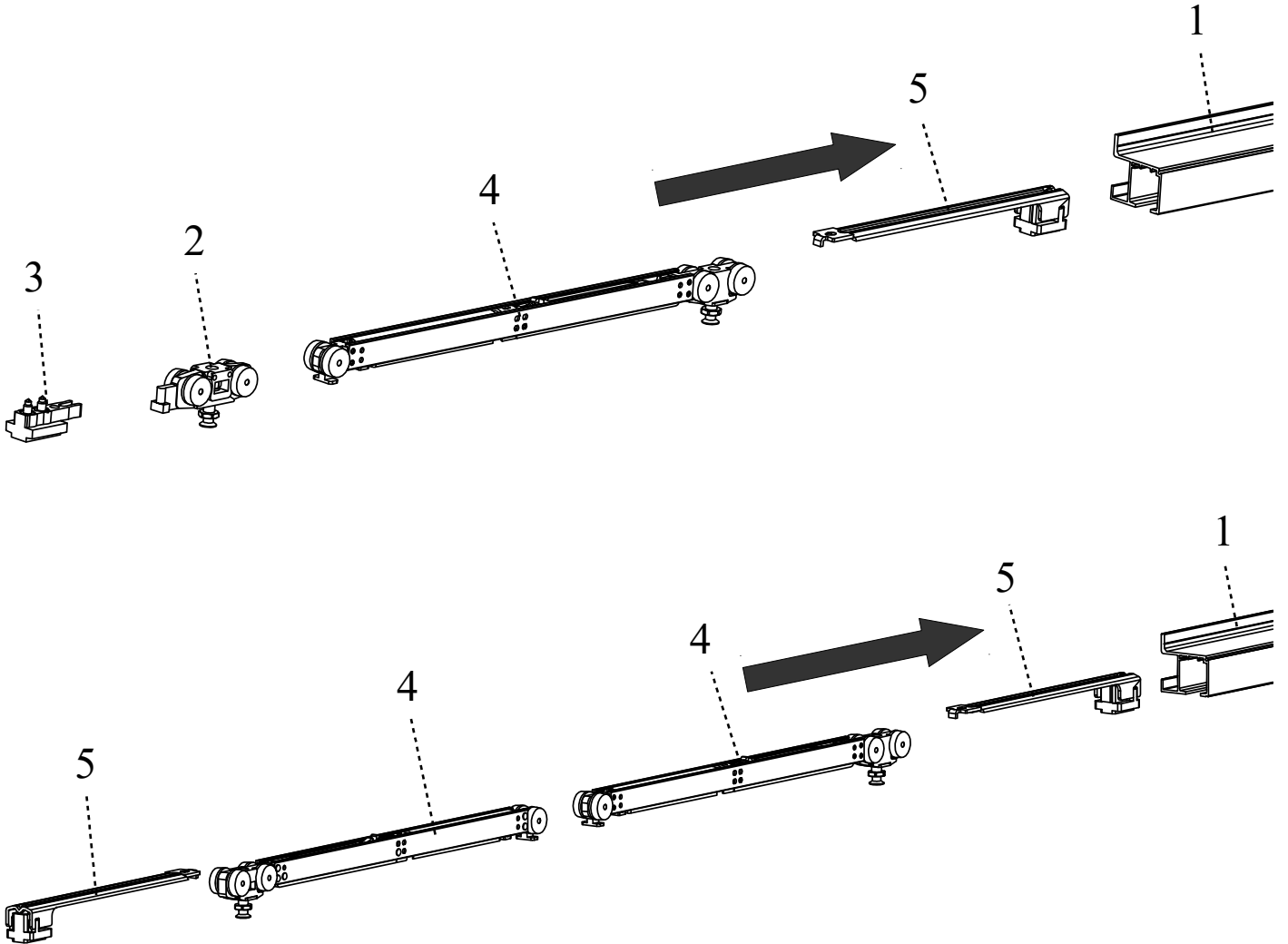
G

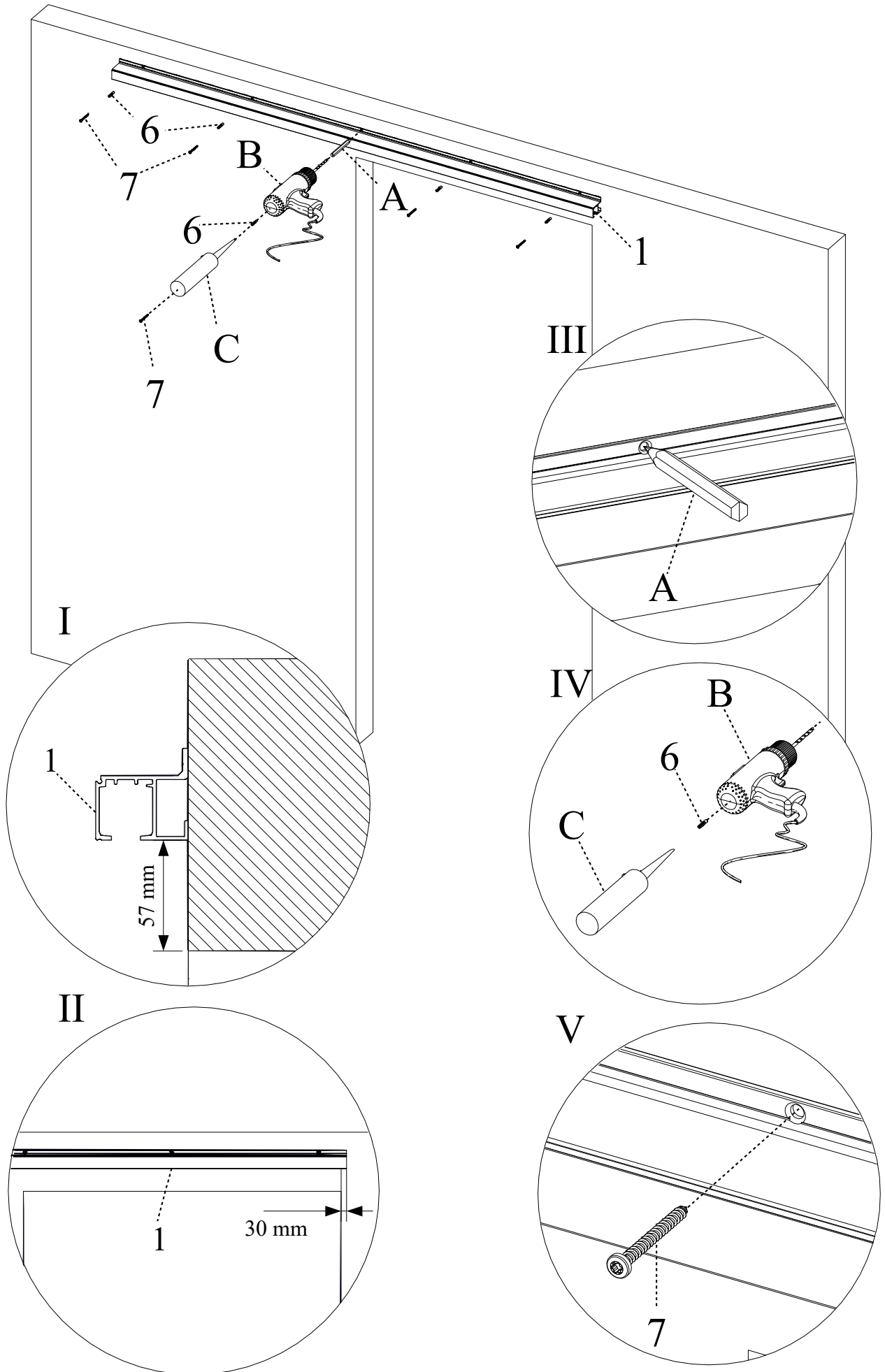
1



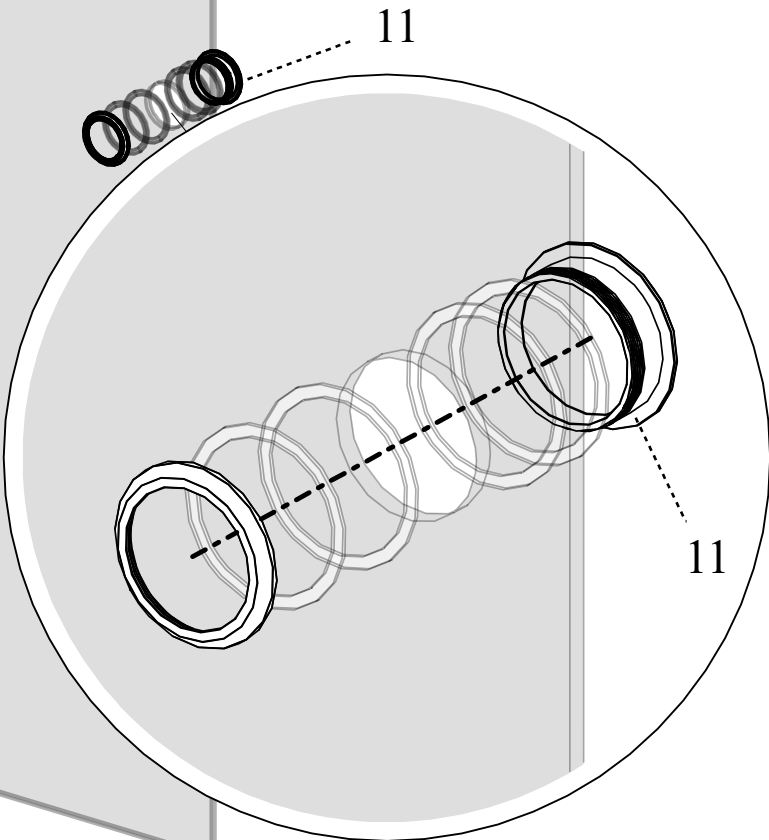
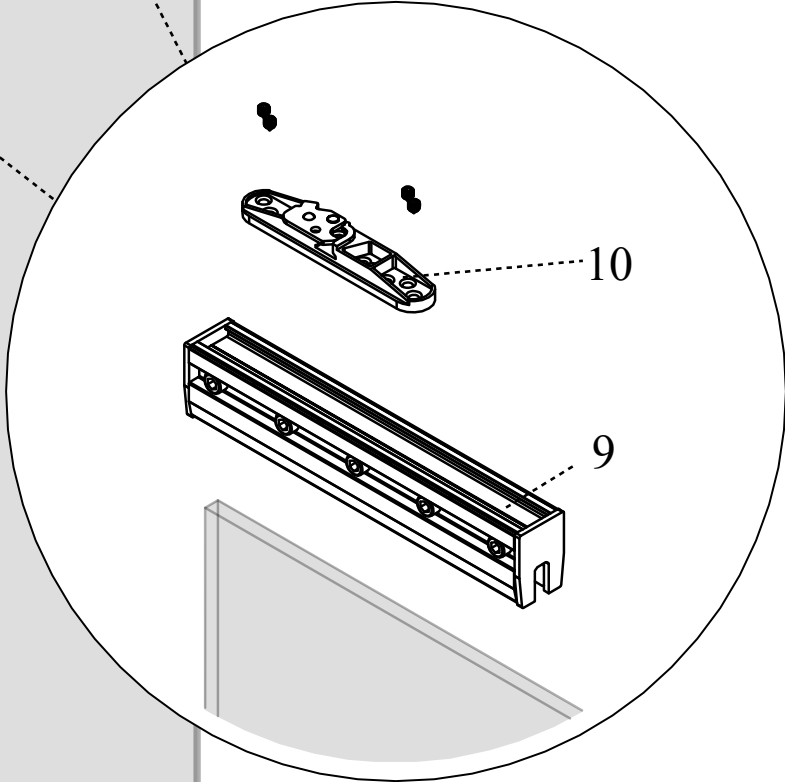
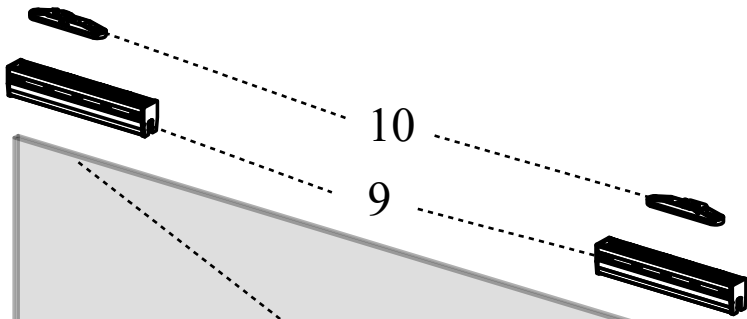
A: 3 - 2 - 4 - 5 → 1
B: 5 - 4 - 4 - 5 → 1

A: 3 - 2 - 4 - 5 → 1
B: 5 - 4 - 4 - 5 → 1

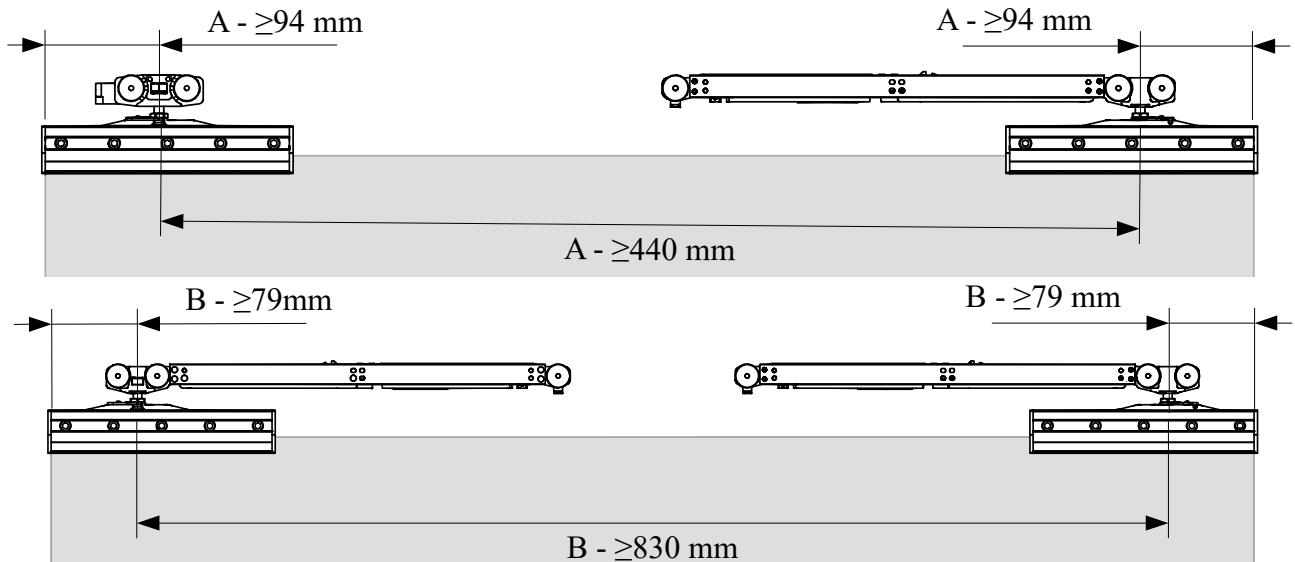
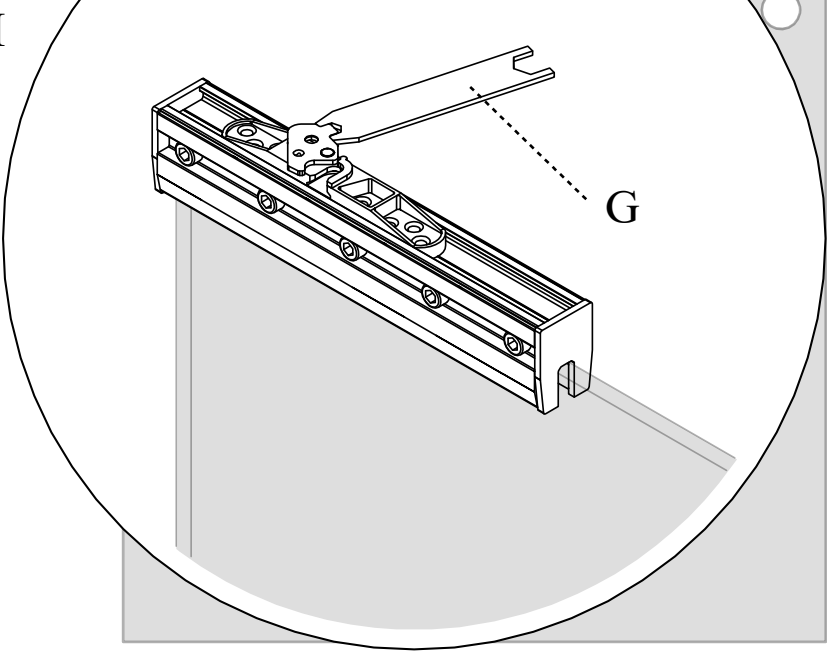
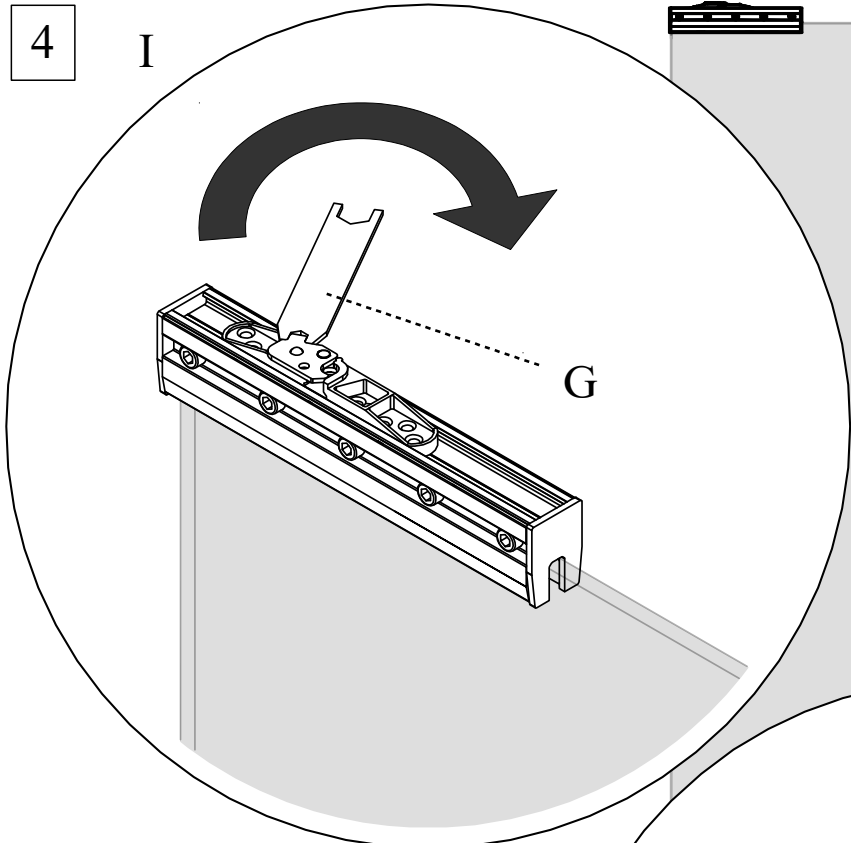


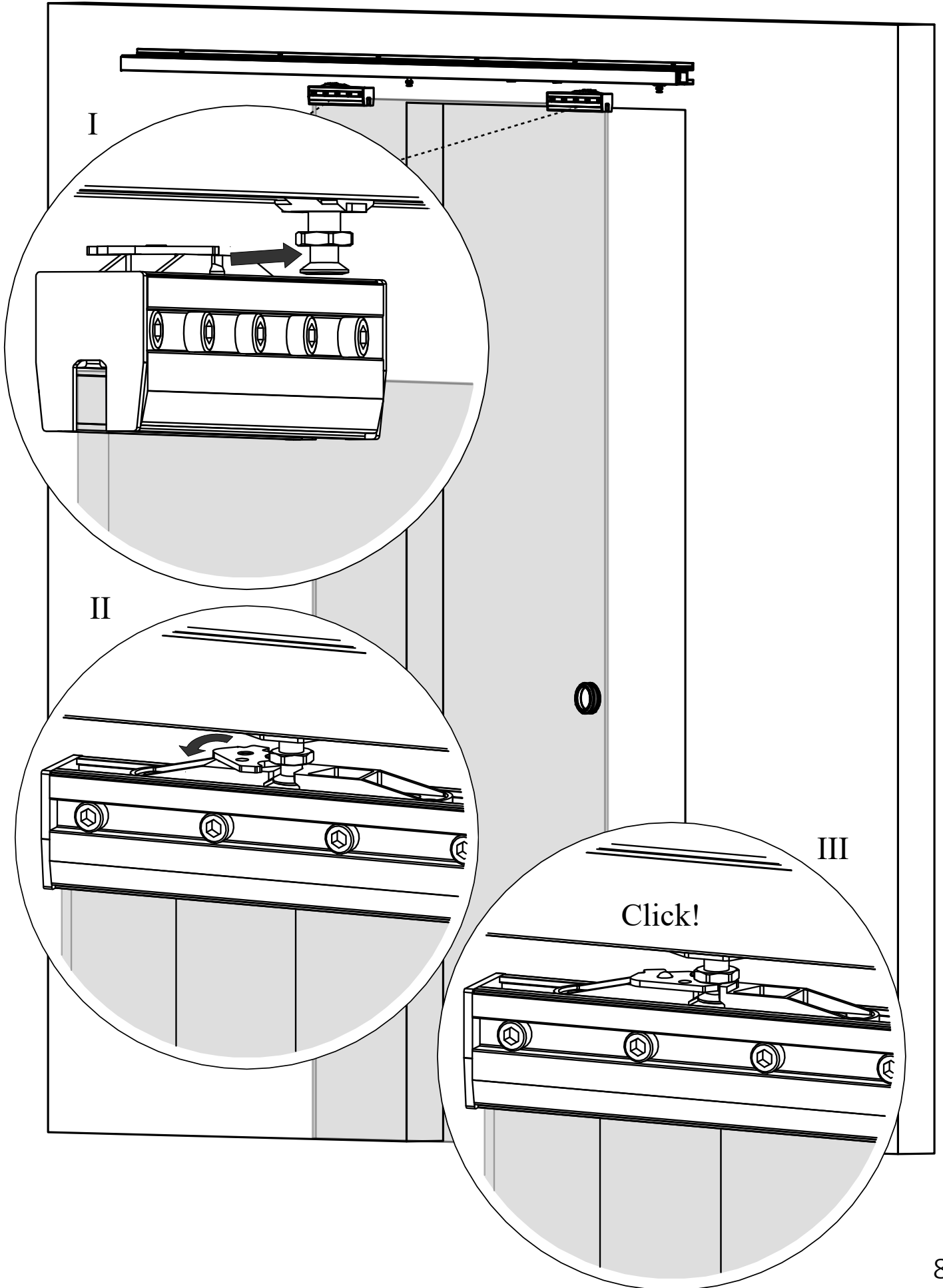


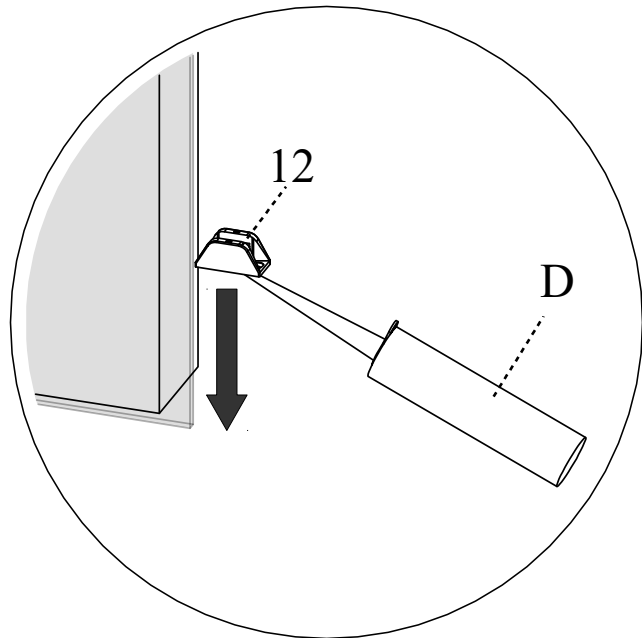
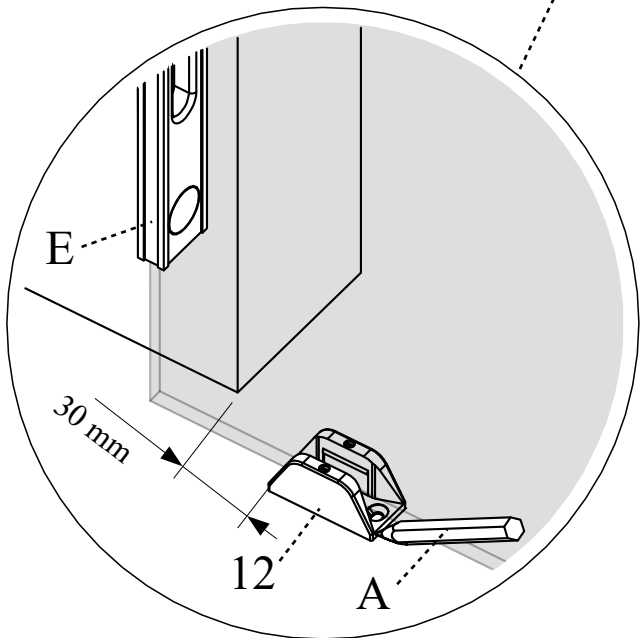
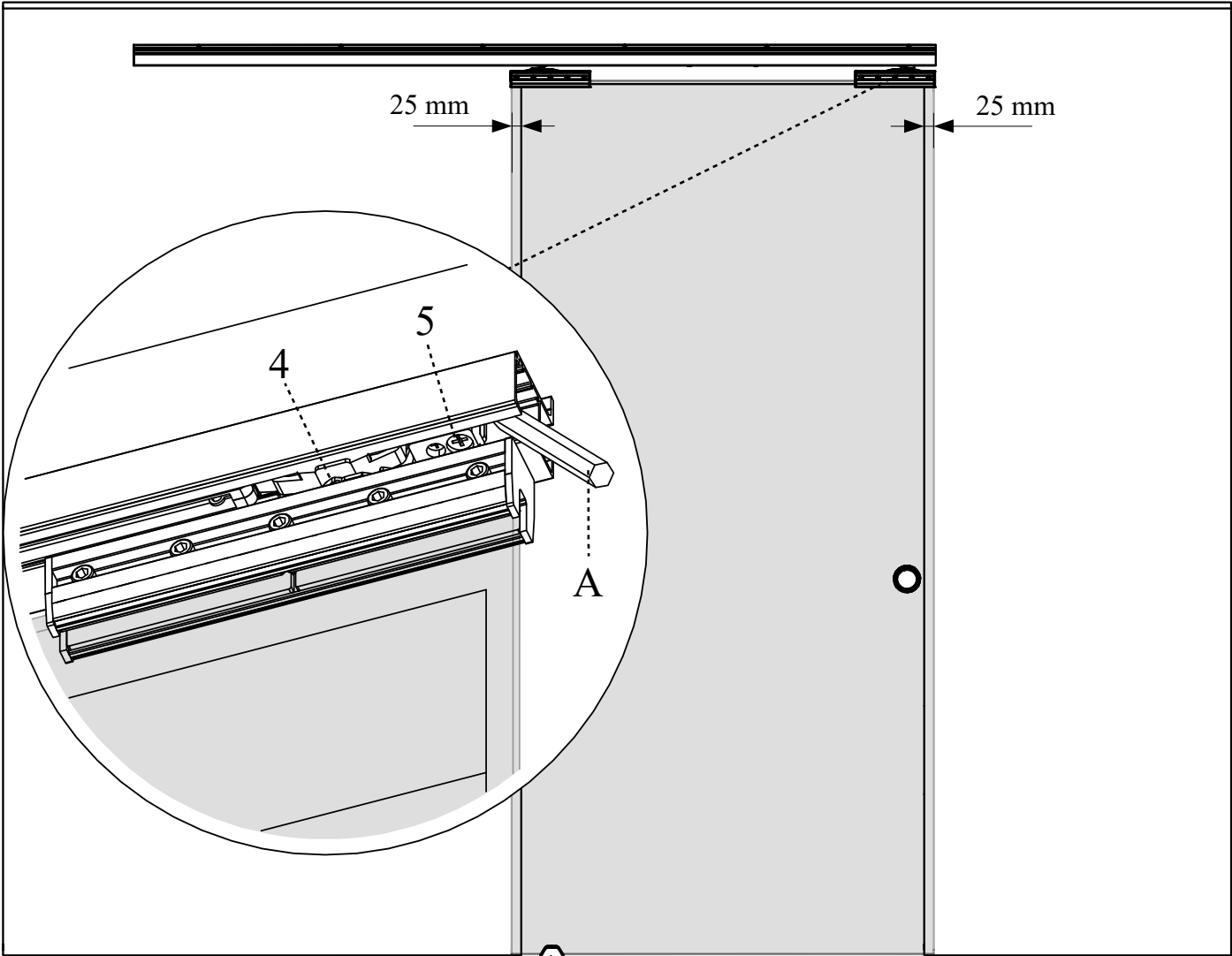
3



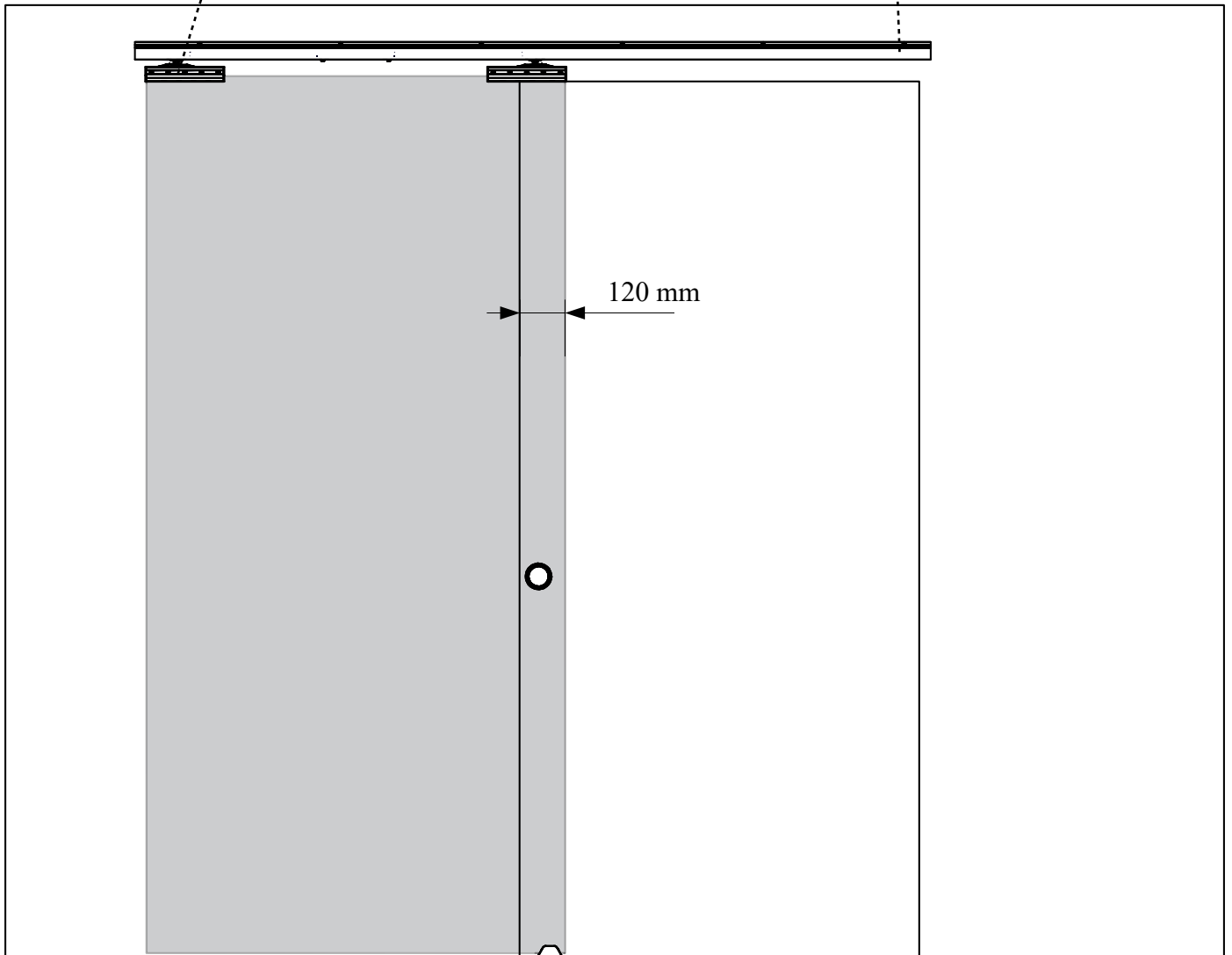
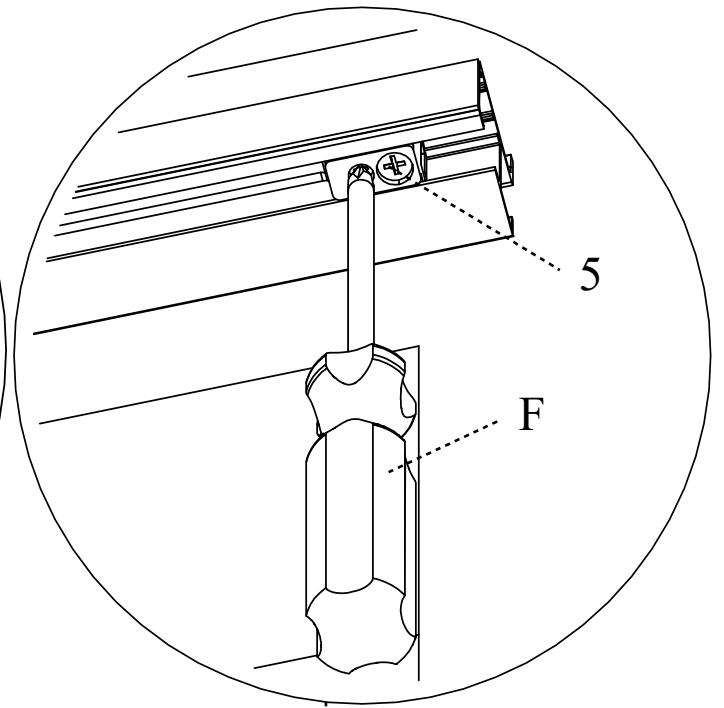
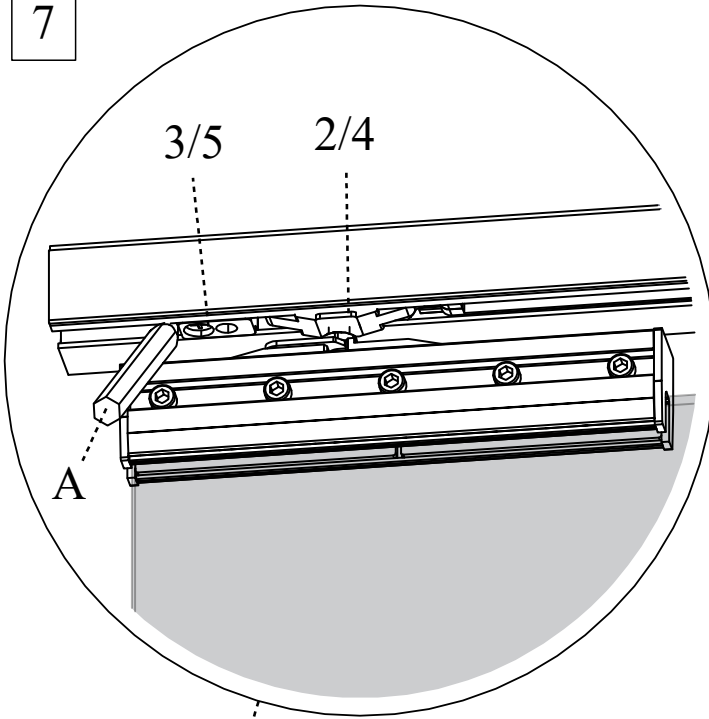
4



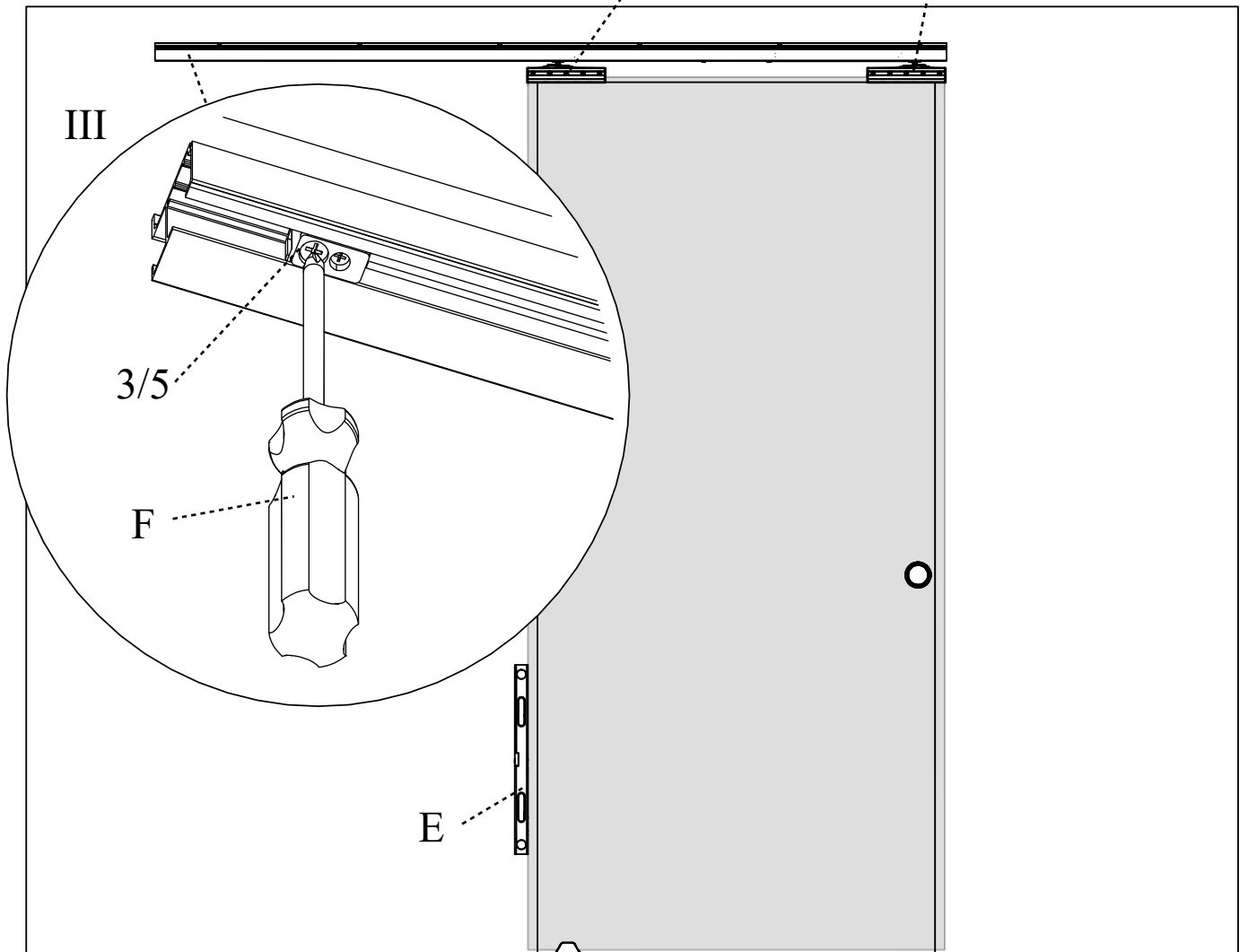
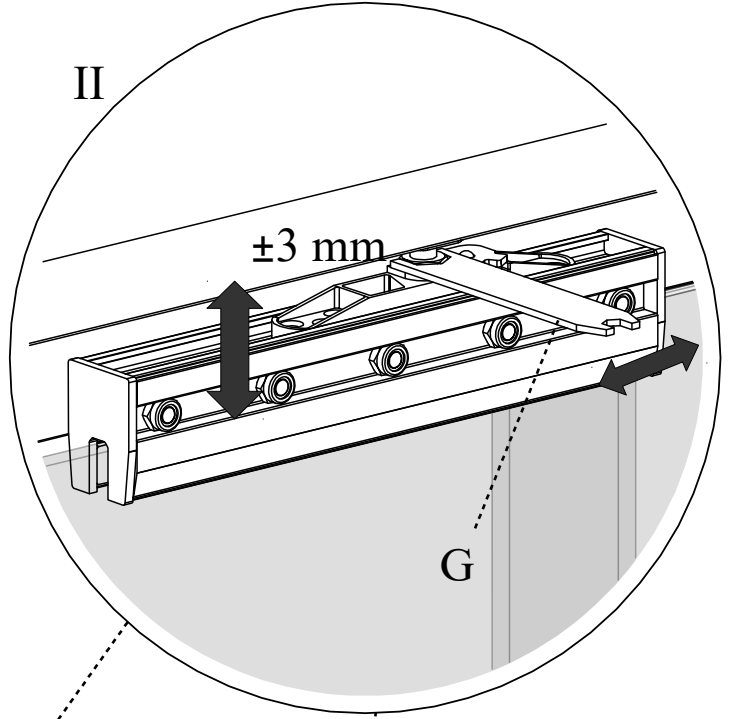
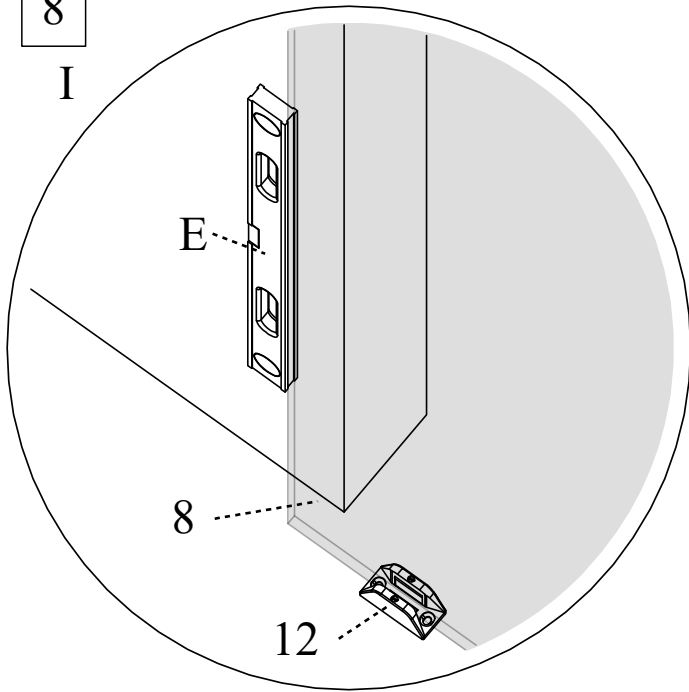




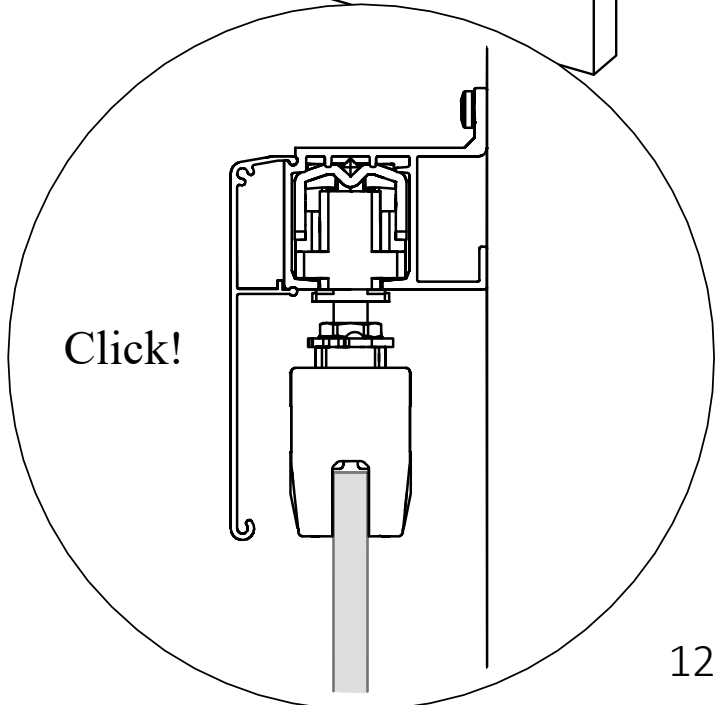
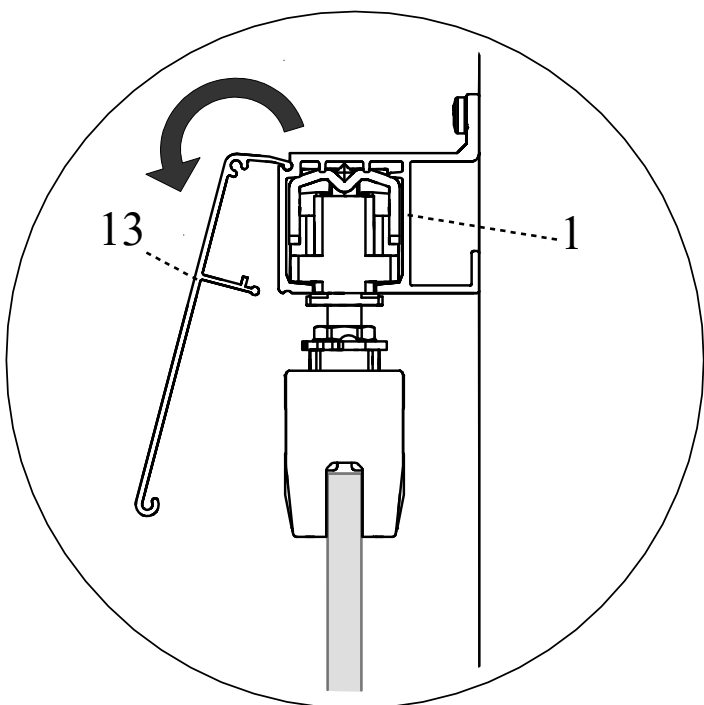
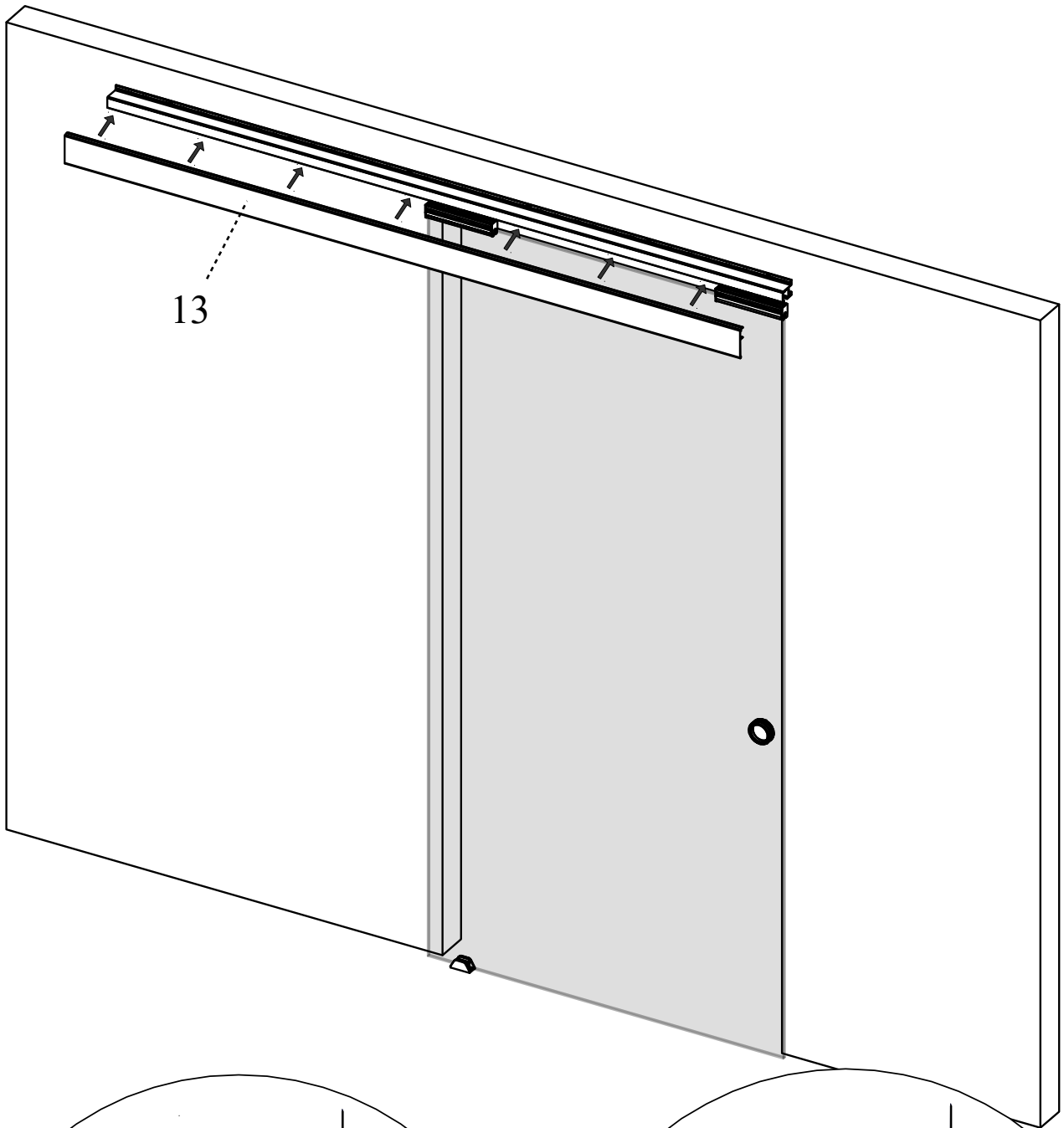
7



8



9



12

