

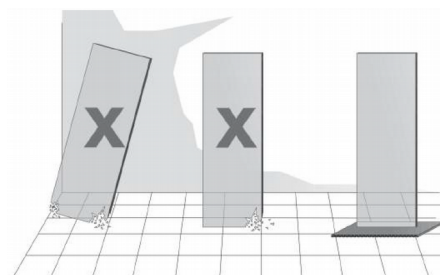
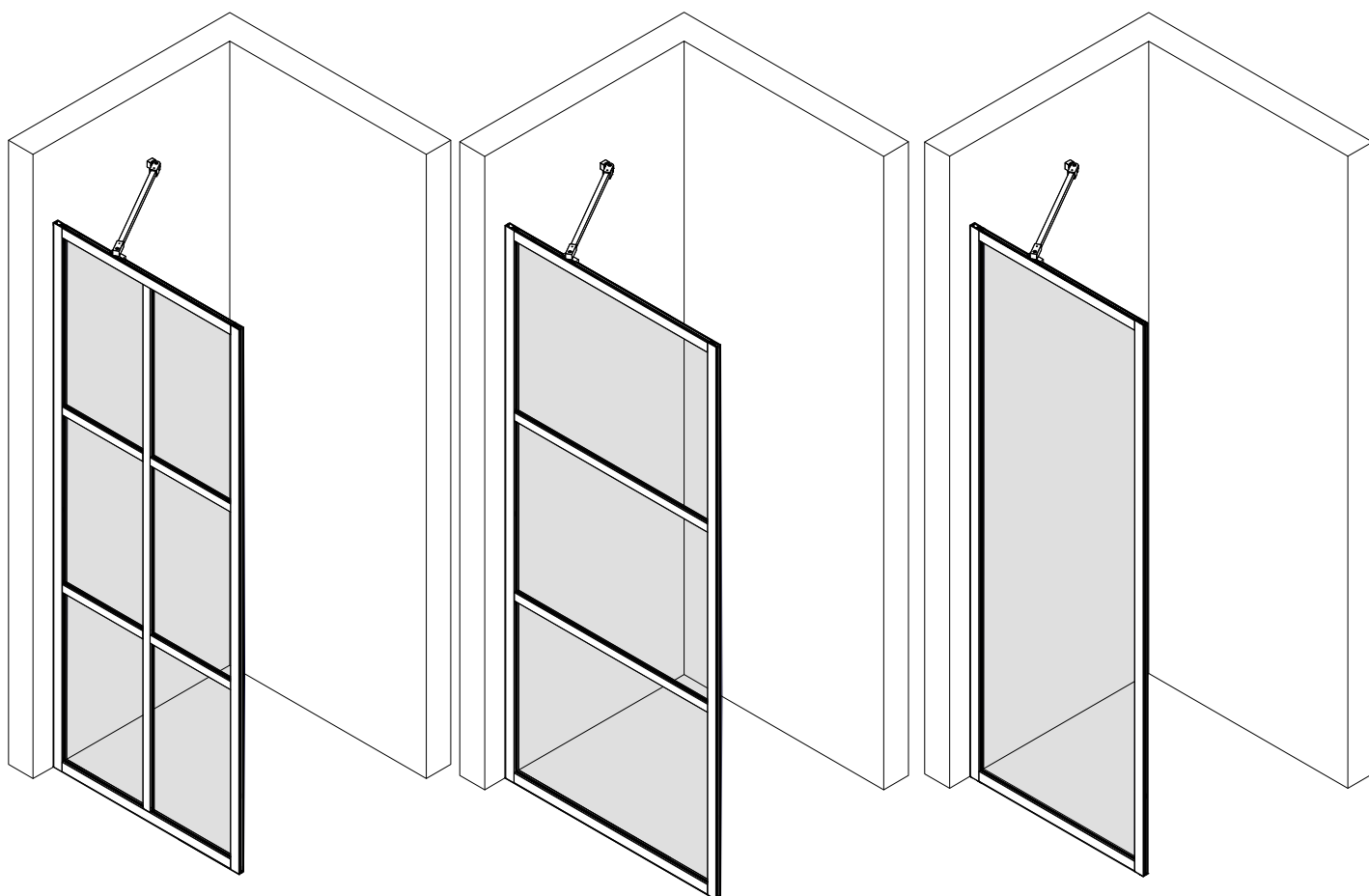


HIETAKARI

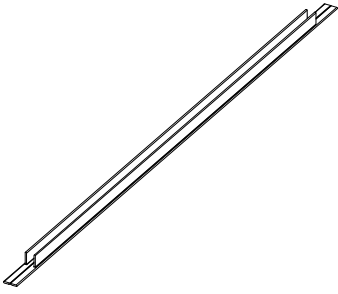


8/25 63RLM

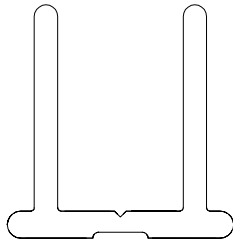
711



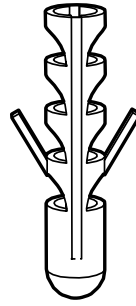
# Parts



1. x1



2. x1



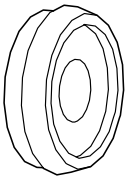
4/83 13RLM

3. 6x30 mm  
x5



4/83 11RLM

4. 3.5x39 mm  
x5



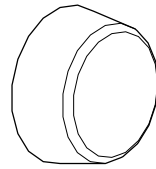
4/83 22RLM

5. x4



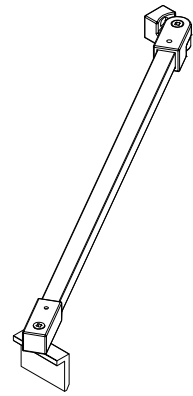
4/83 24RLM

6. 4.2x13 mm  
x6



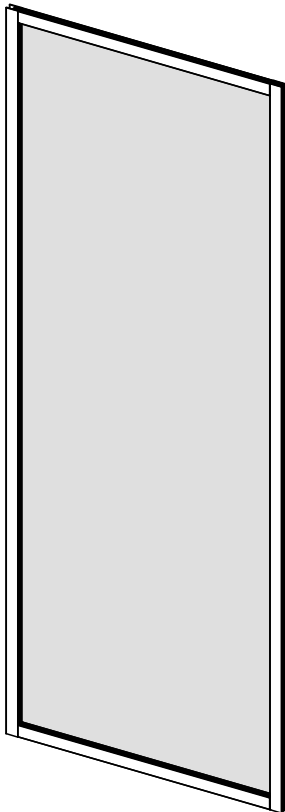
4/83 23RLM

7. x4



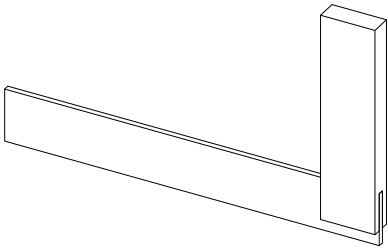
8/65 319LM

8. x1

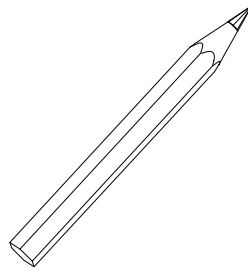


9. x1

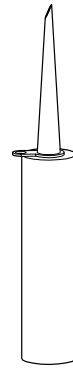
# Tools



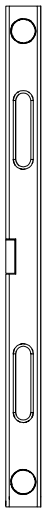
A



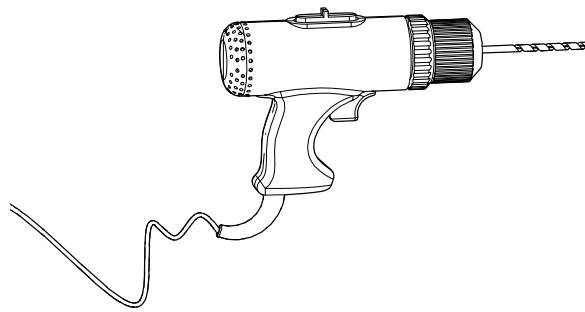
B



C – Glue  
D – Silicone

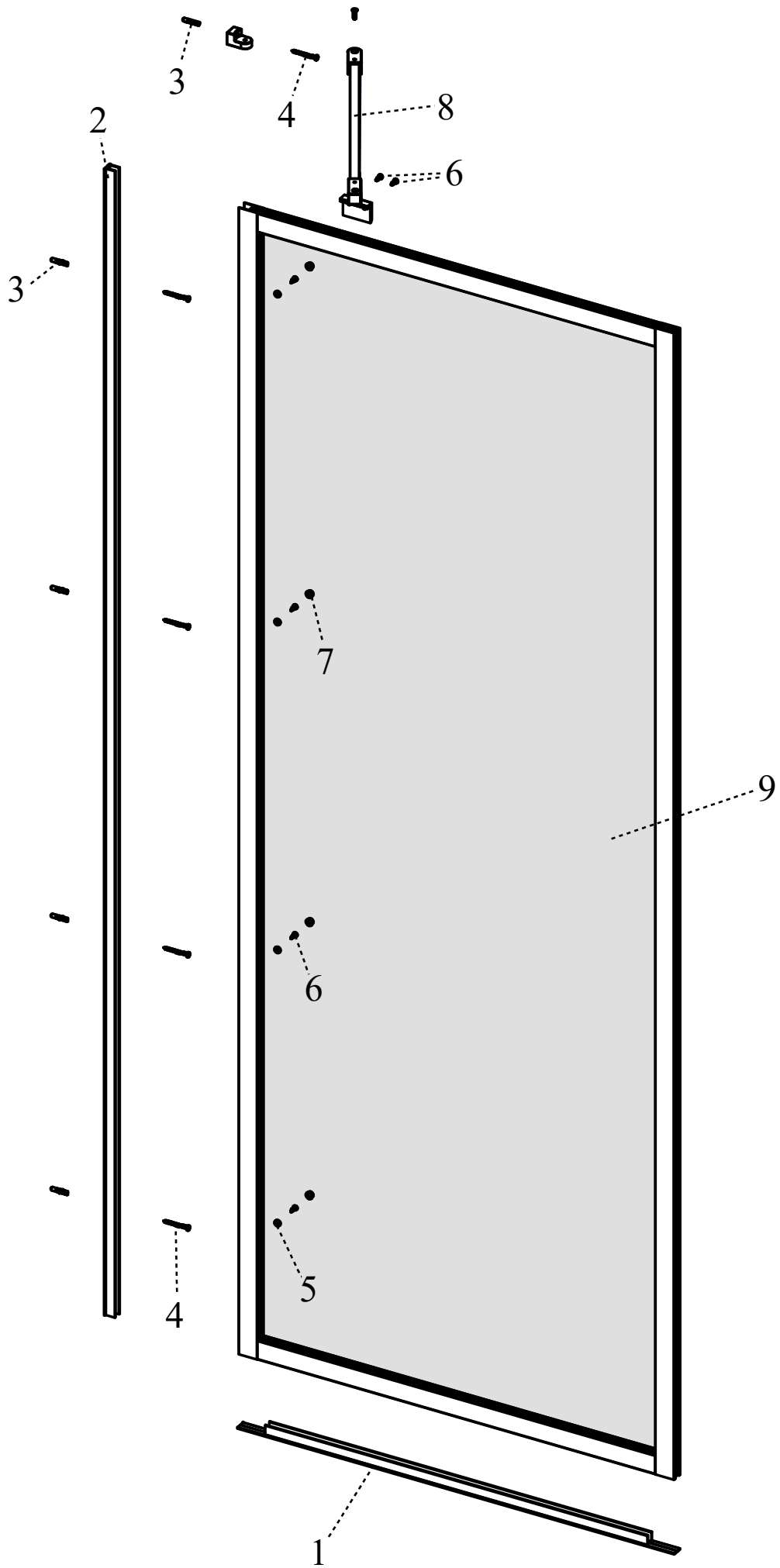


E

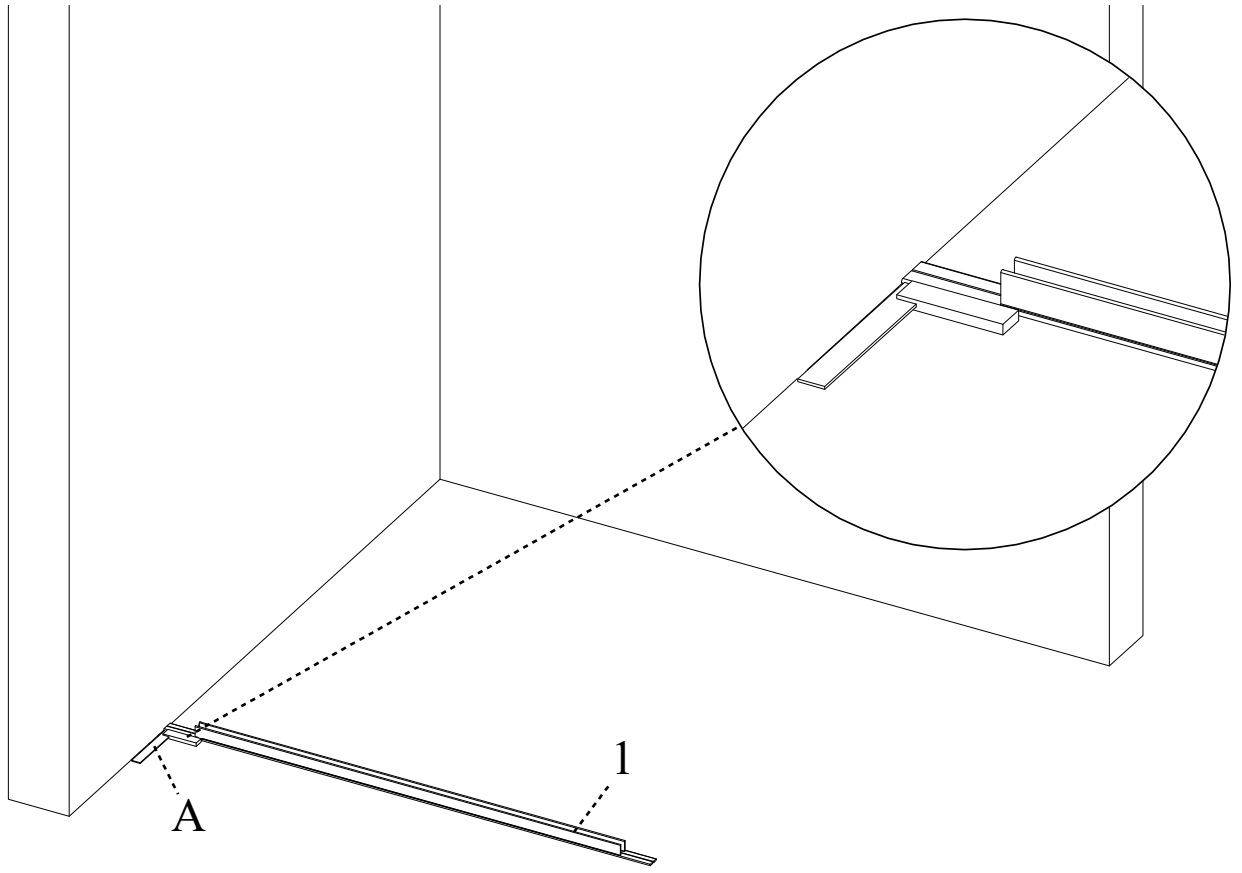


Ø6 mm

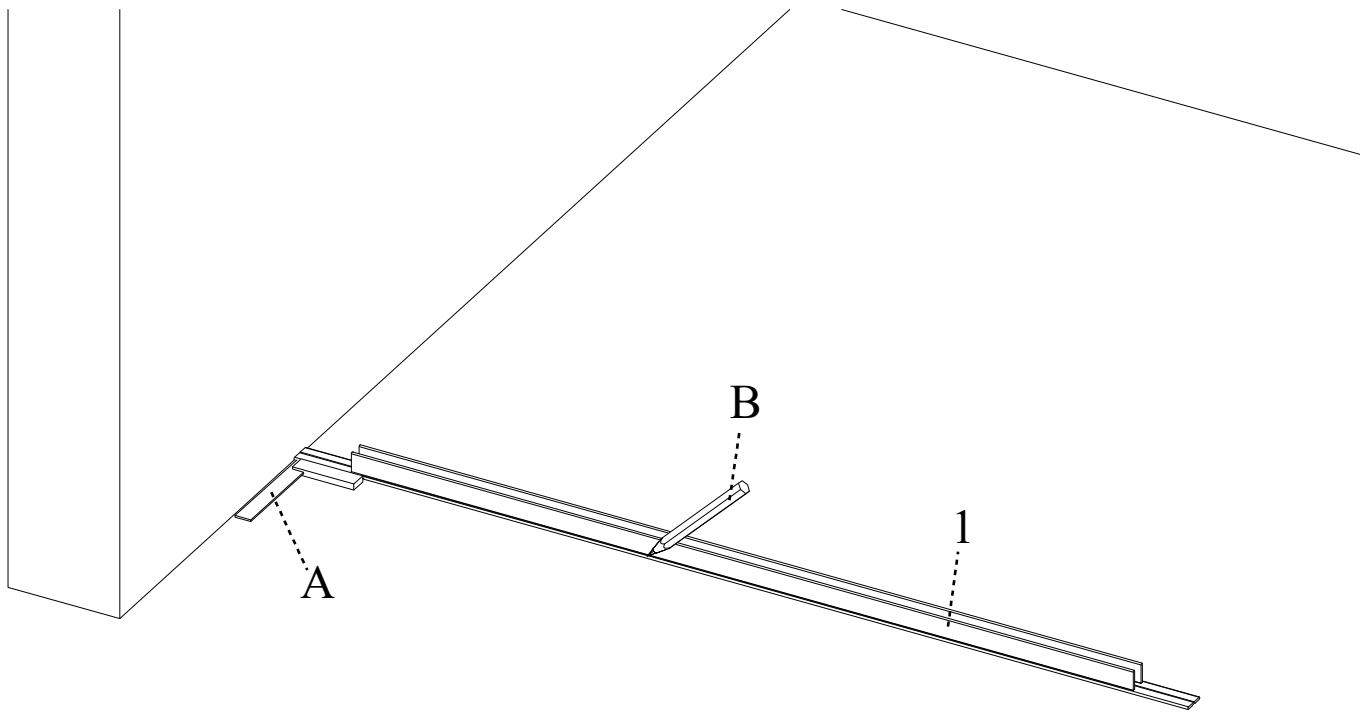
F



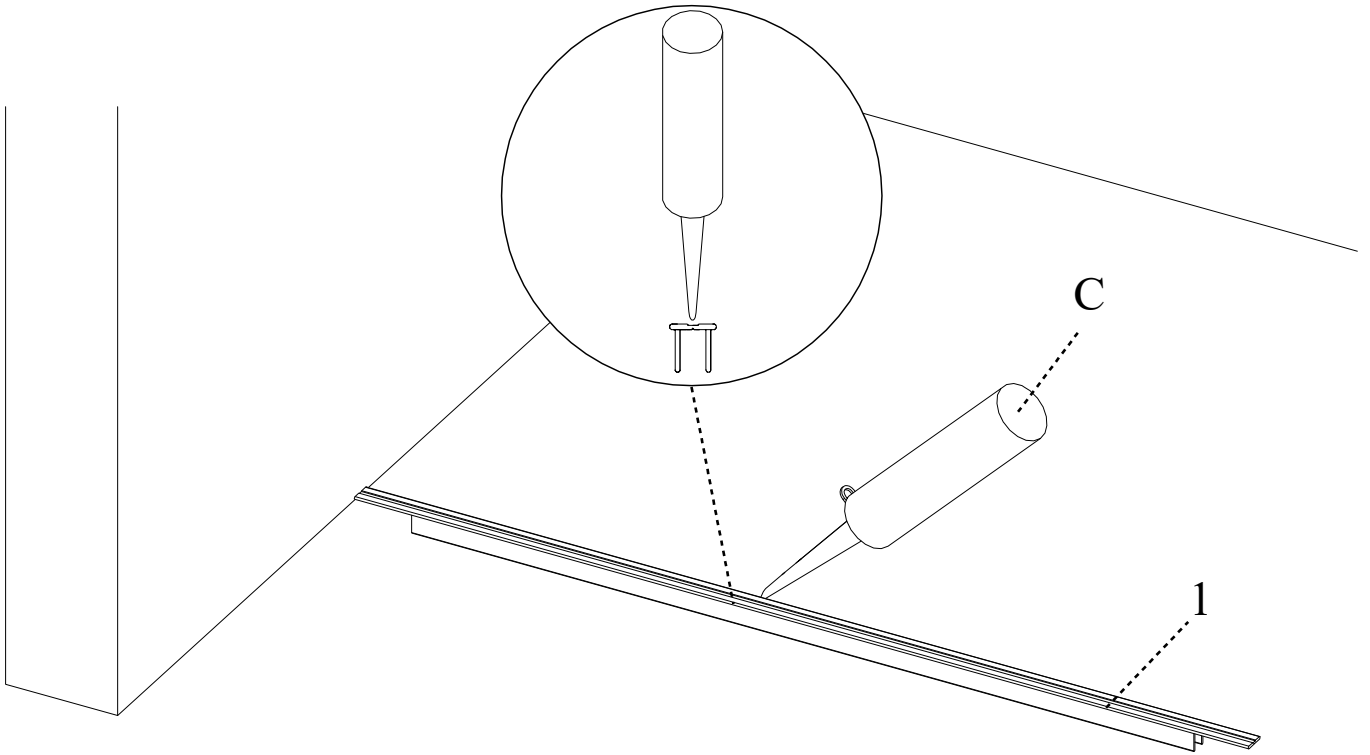
1



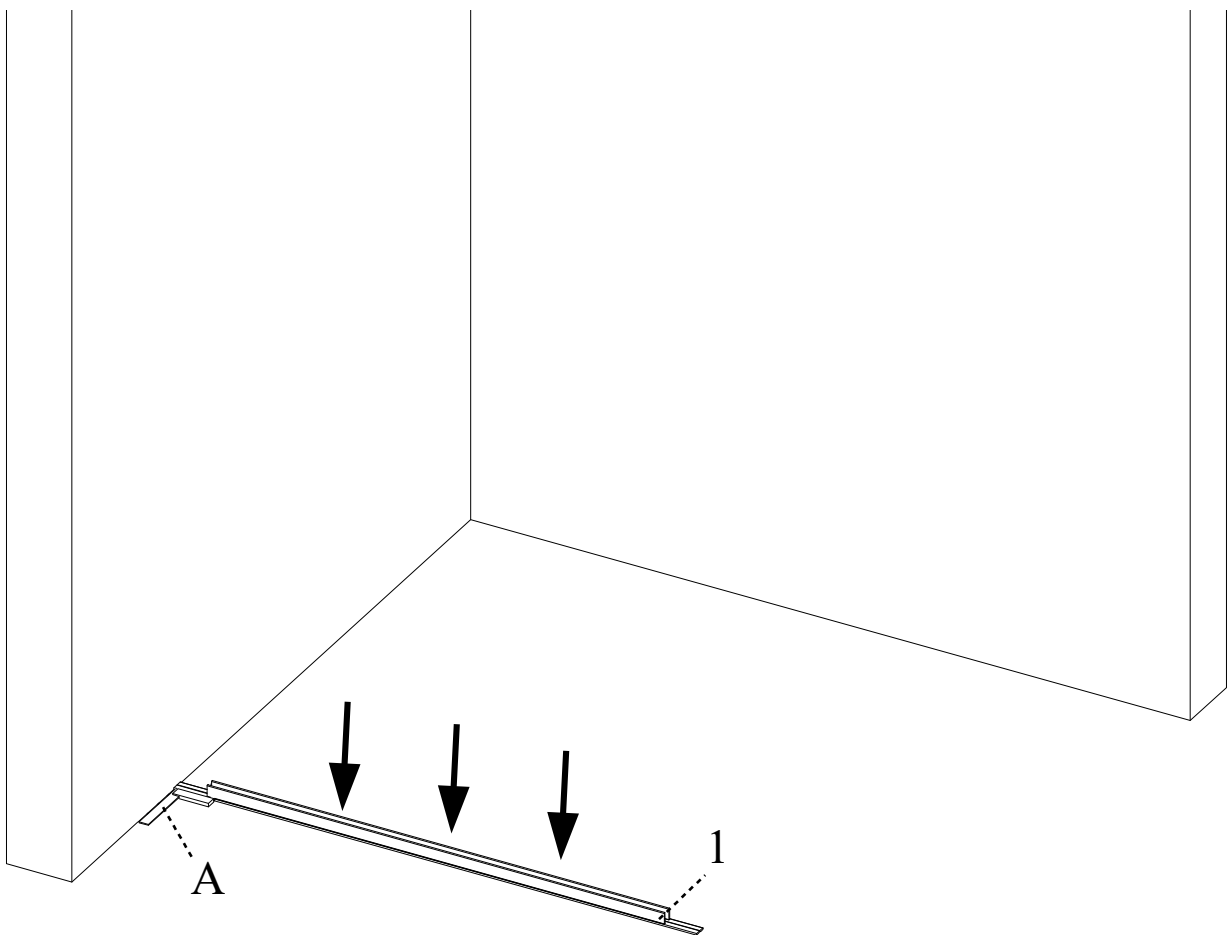
2



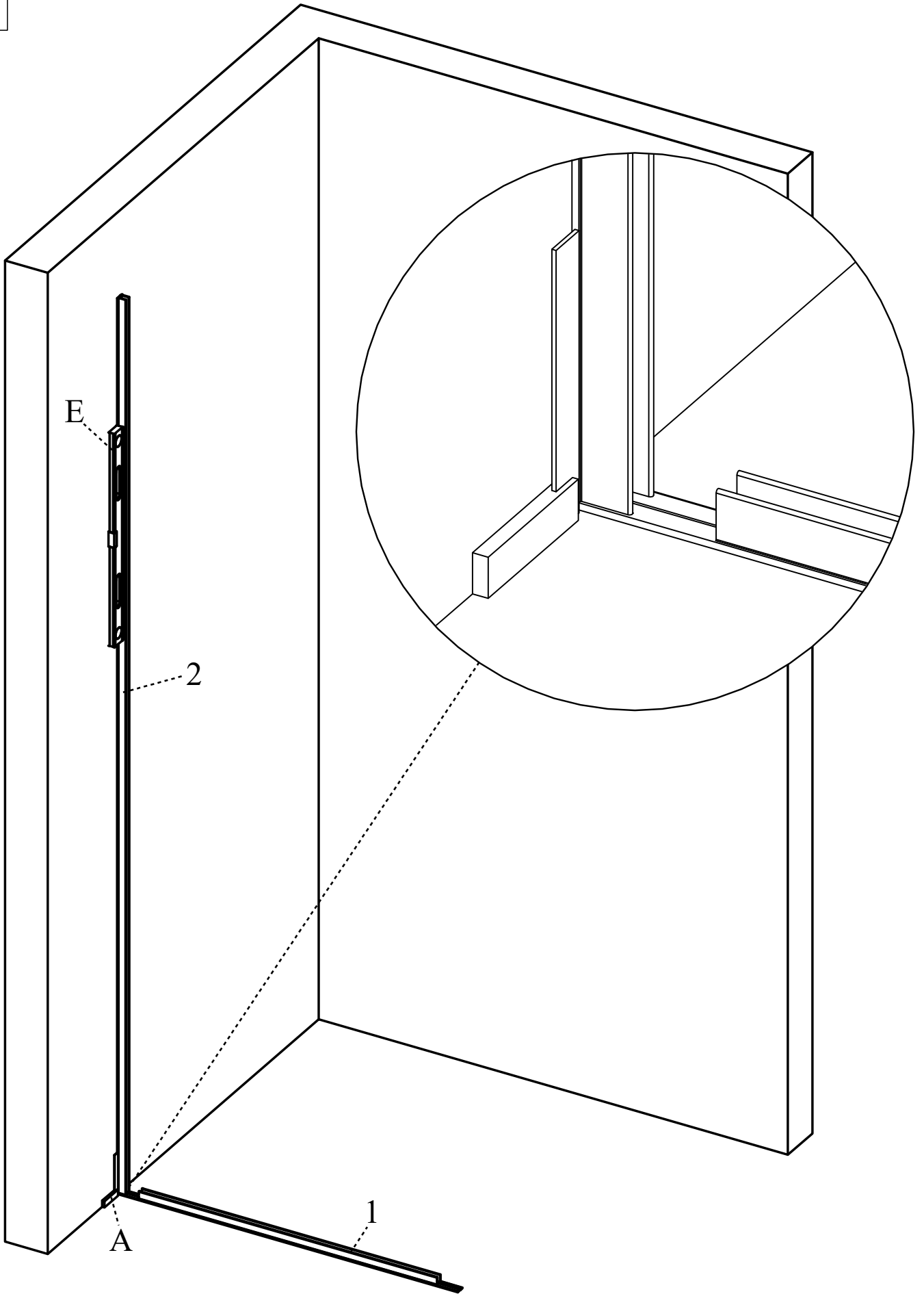
3



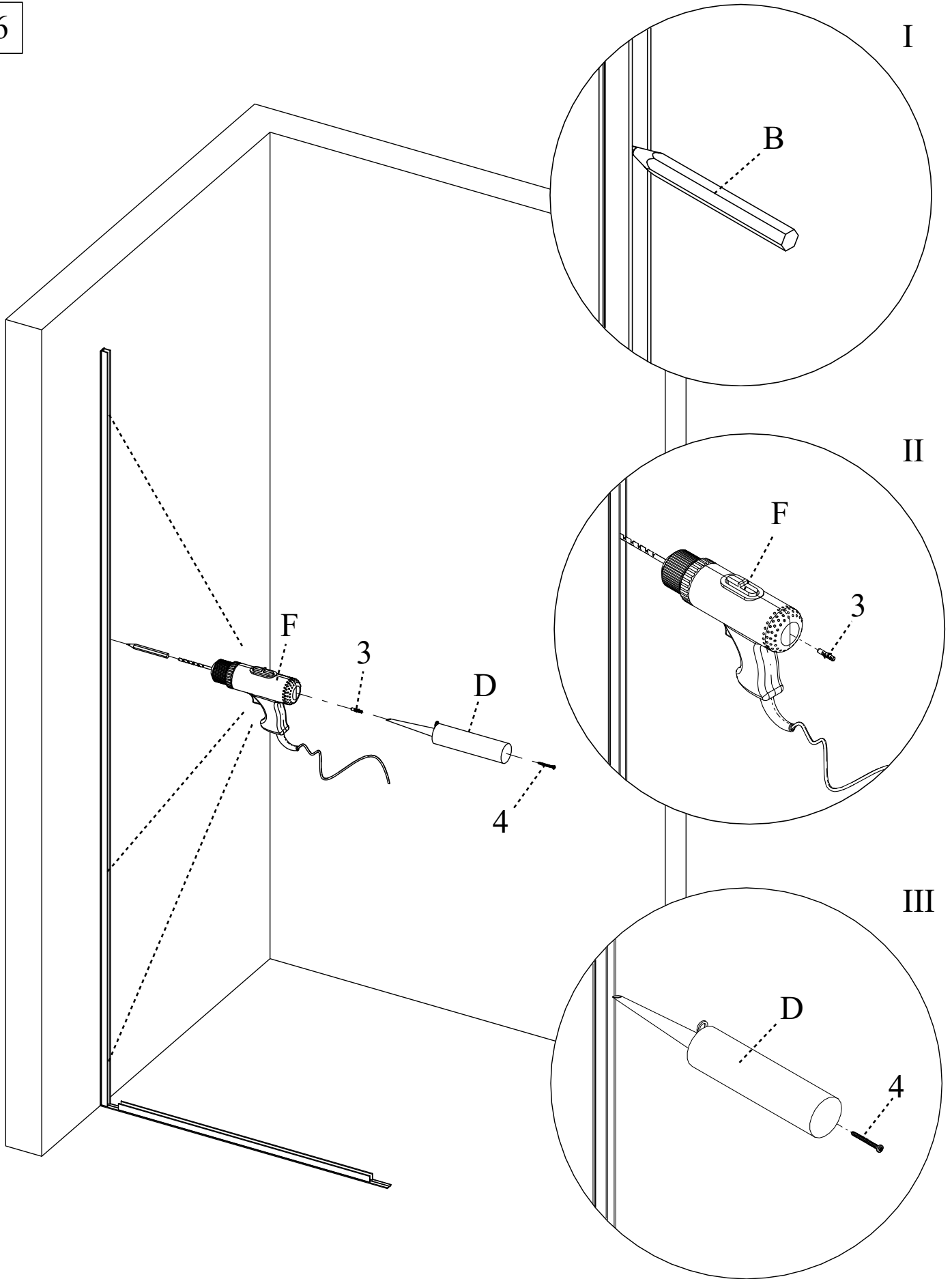
4



5

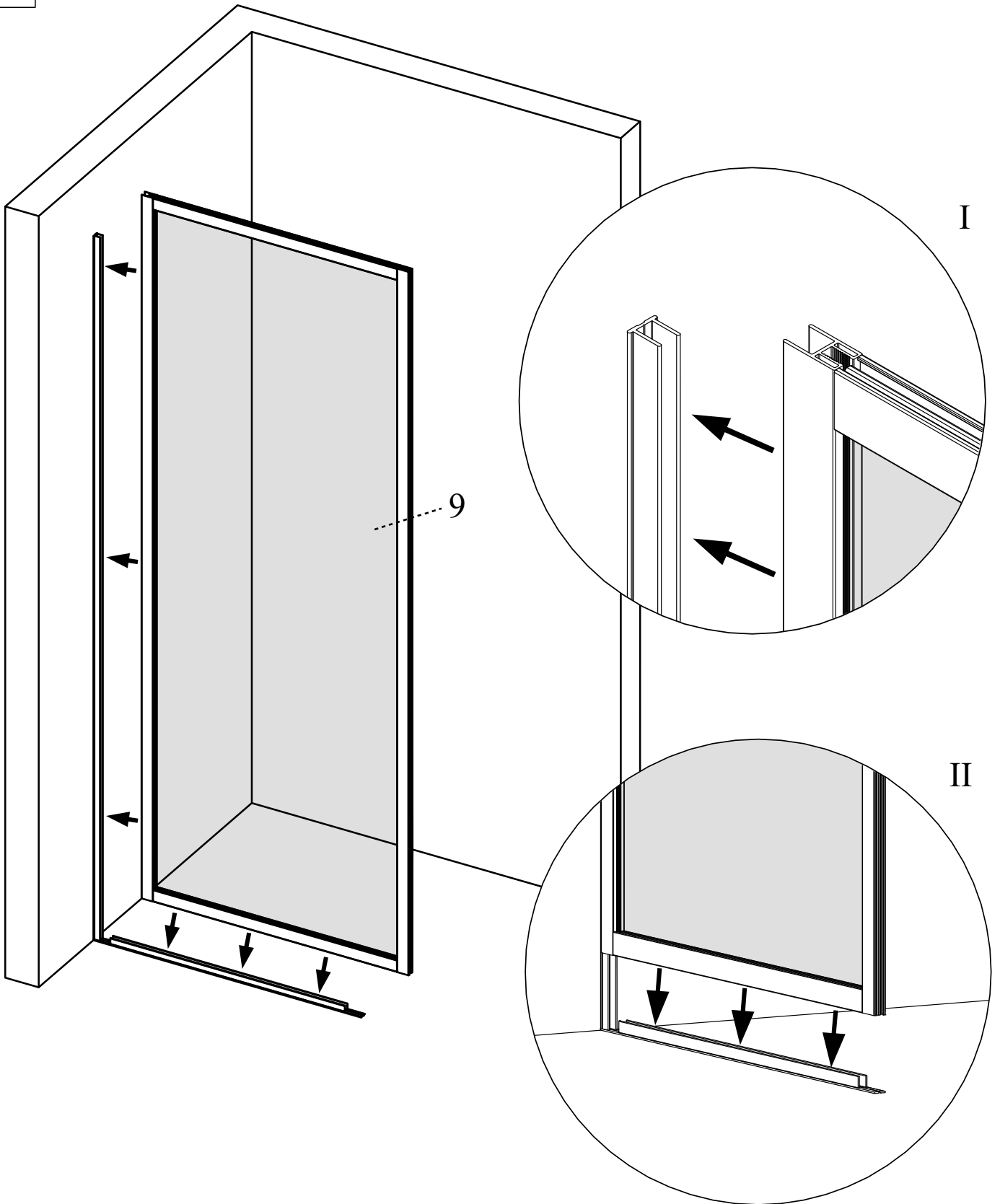


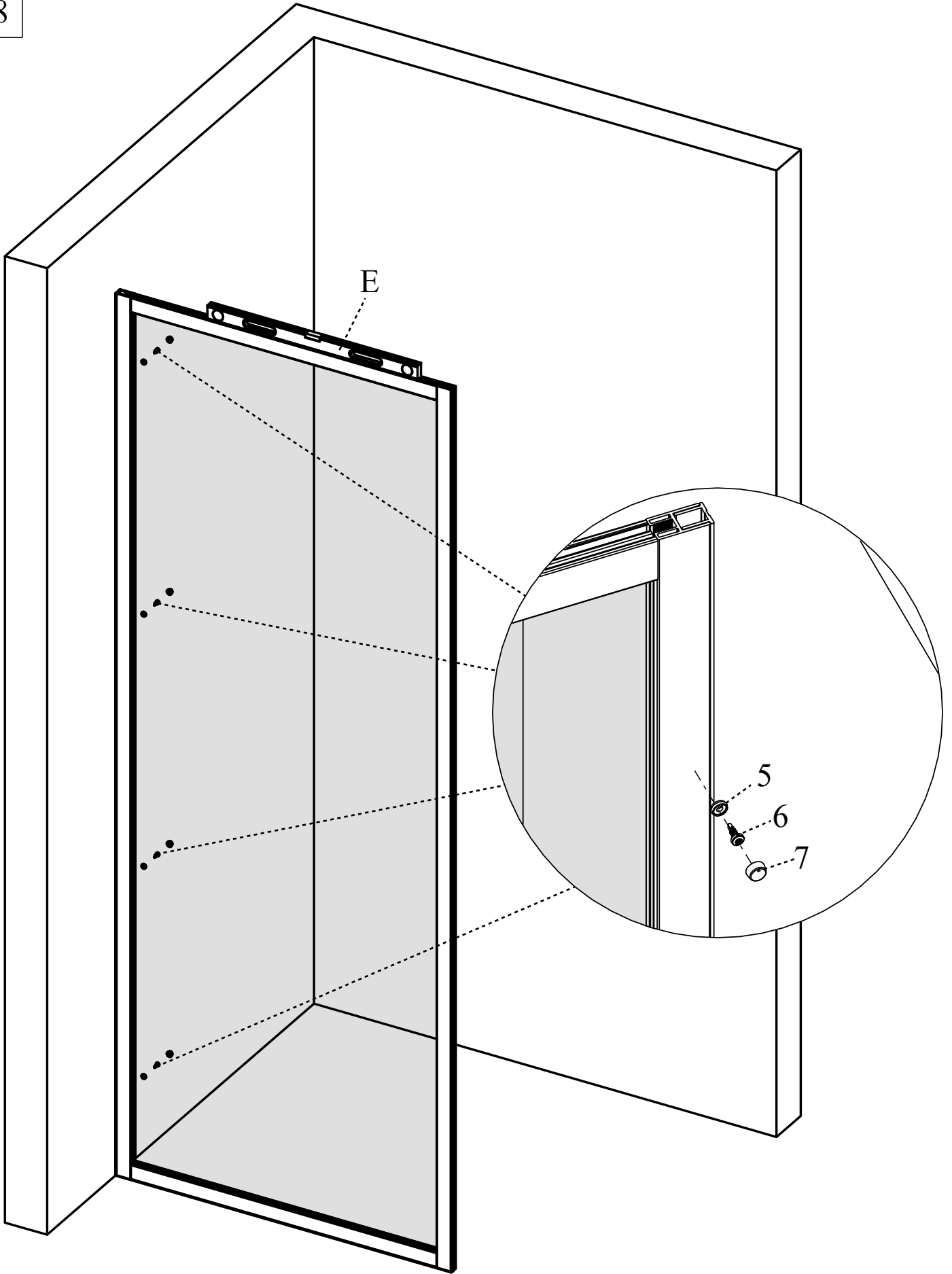
6





7





9

