

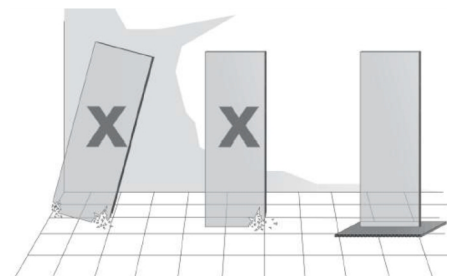
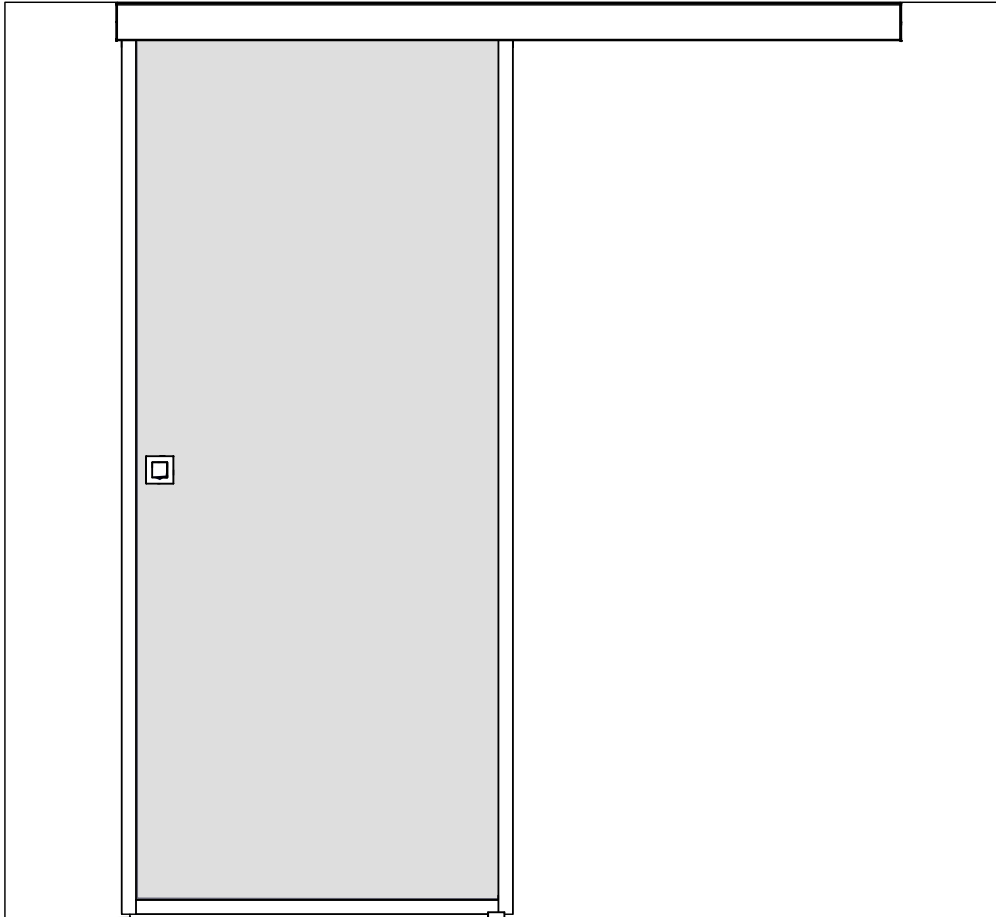


HIETAKARI

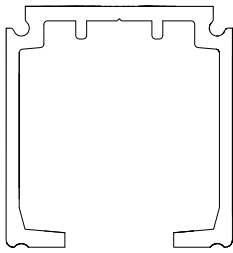


8/25 8ORLM

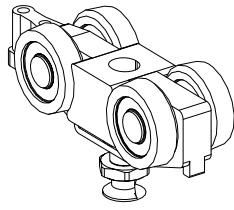
C1N/C1T/C1P



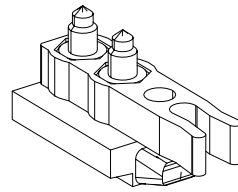
Parts



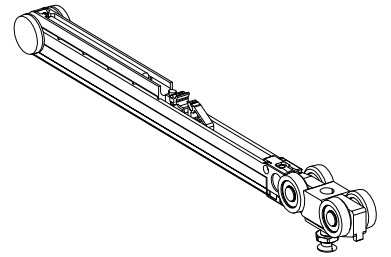
1. x1



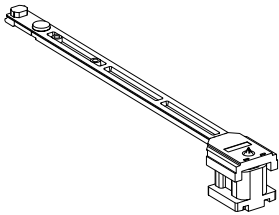
2. A x1
B x0



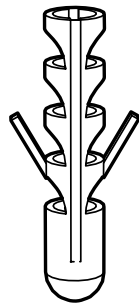
3. A x1
B x0



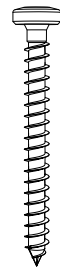
4. A x1
B x2



5. A x1
B x2



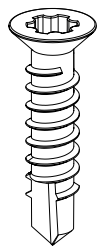
6. 6x30 mm



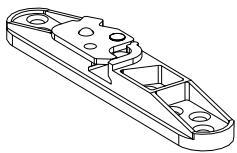
7. 3.5x39 mm



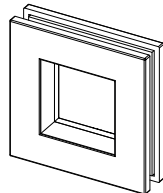
8. x1



9. 4.2x19 mm



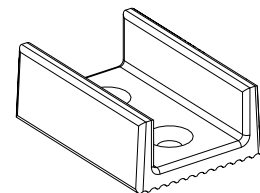
10. x2



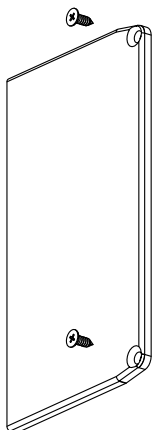
11. x1



12/13. x1

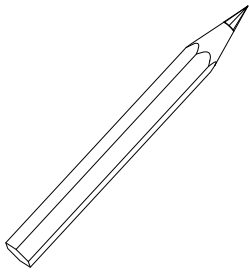


14. x1

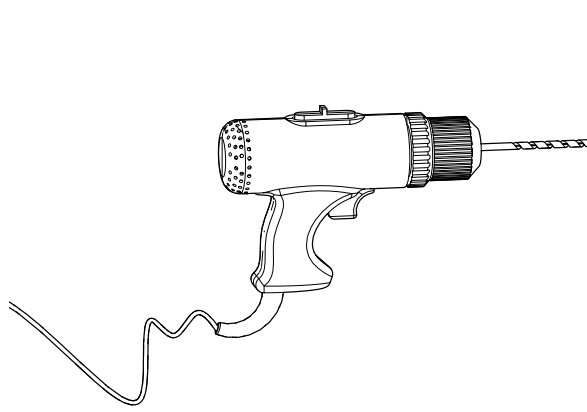


15.

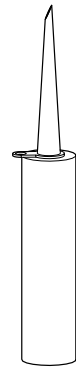
Tools



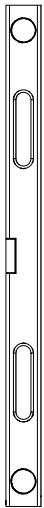
A



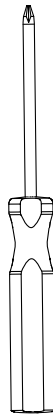
Ø6 mm
B



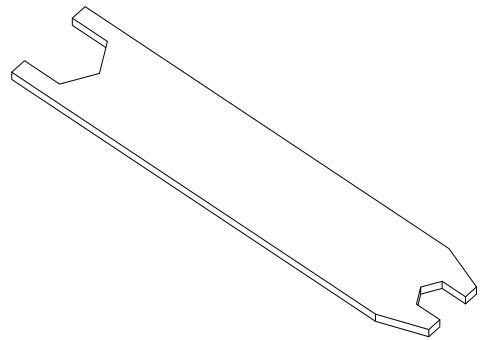
C – Silicone
D – Glue



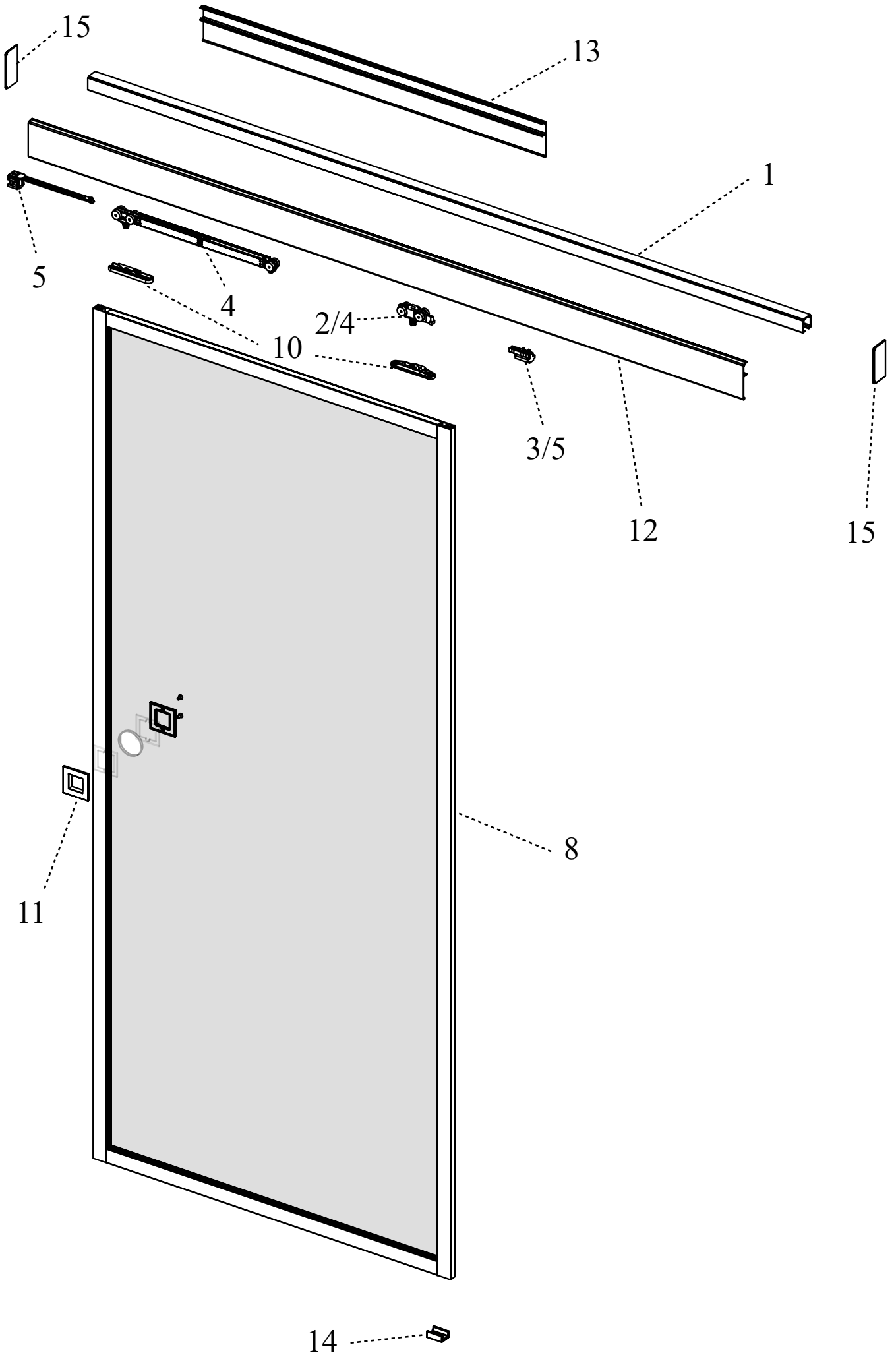
E



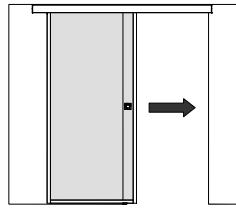
F



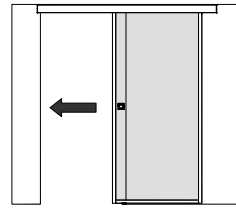
G



1

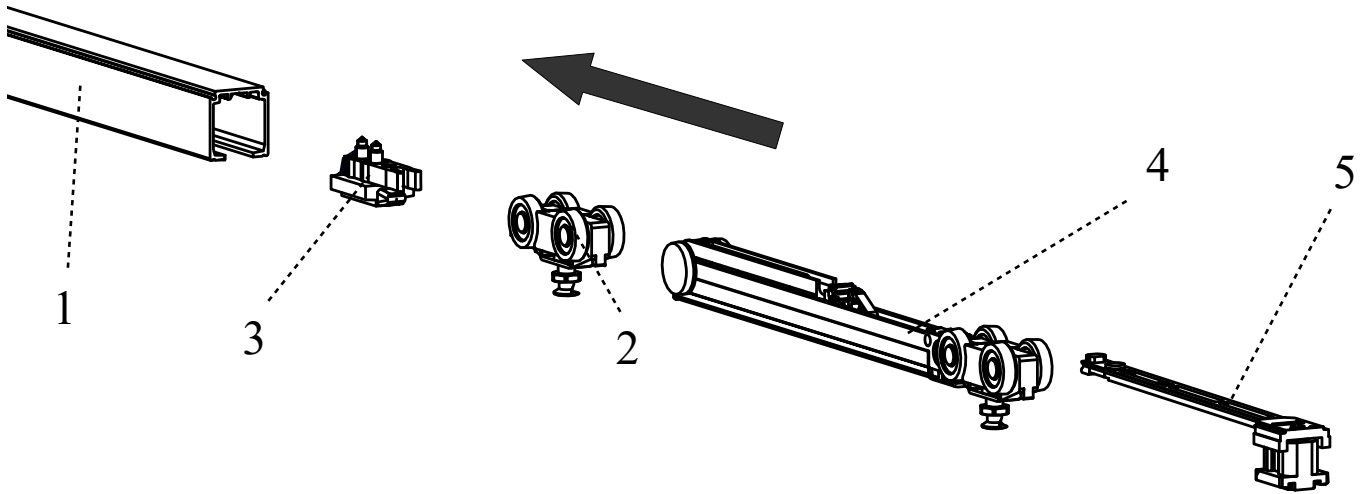


A: 1←3-2-4-5
B: 1←5-4-4-5

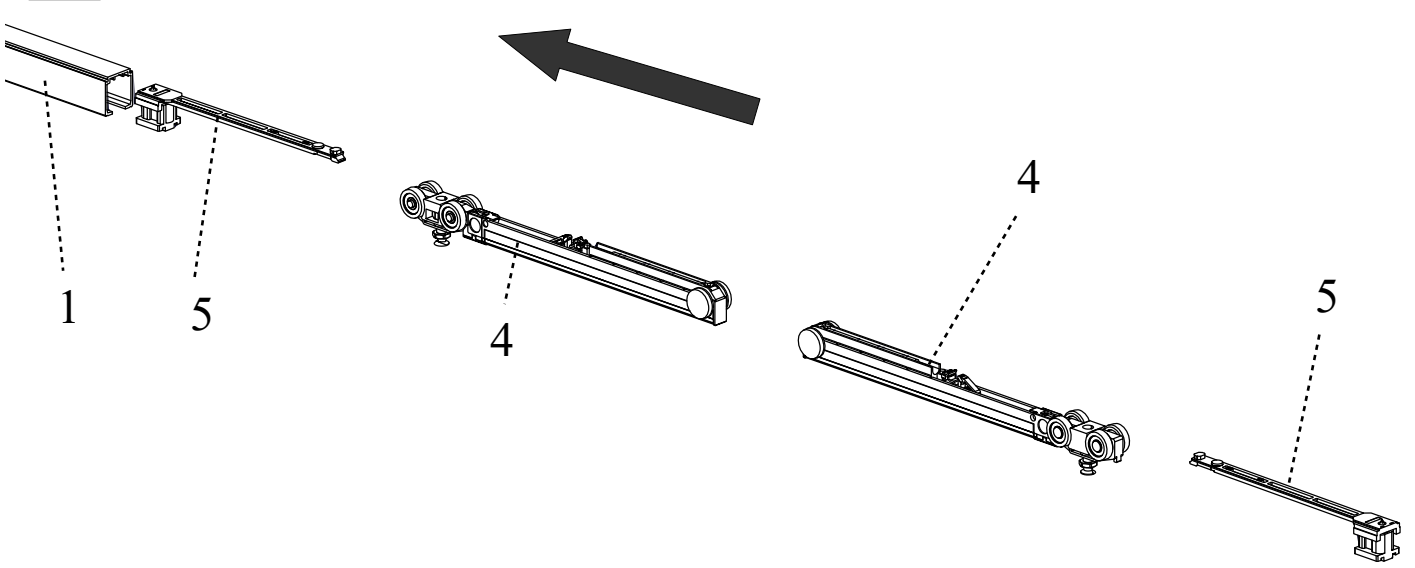


A: 1←5-4-2-3
B: 1←5-4-4-5

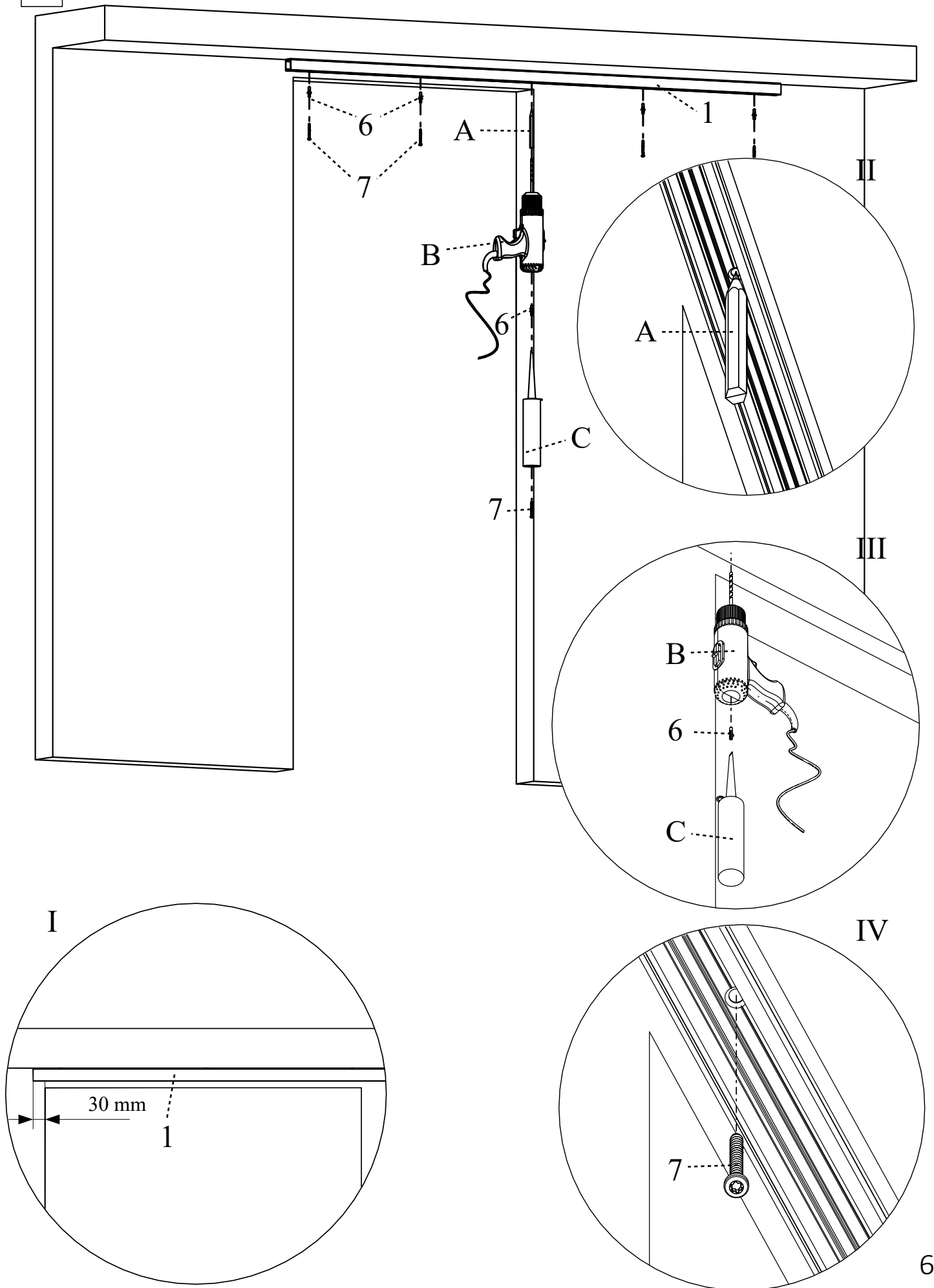
A



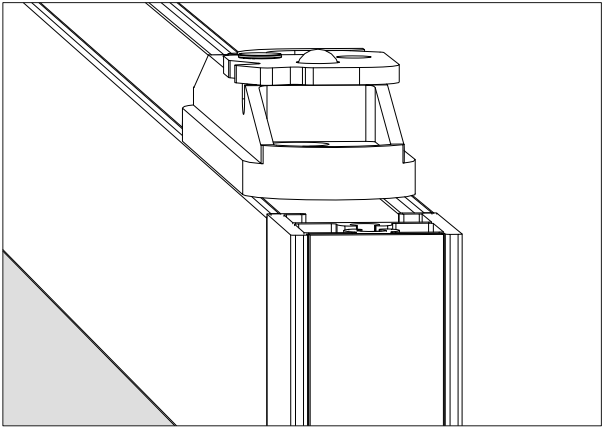
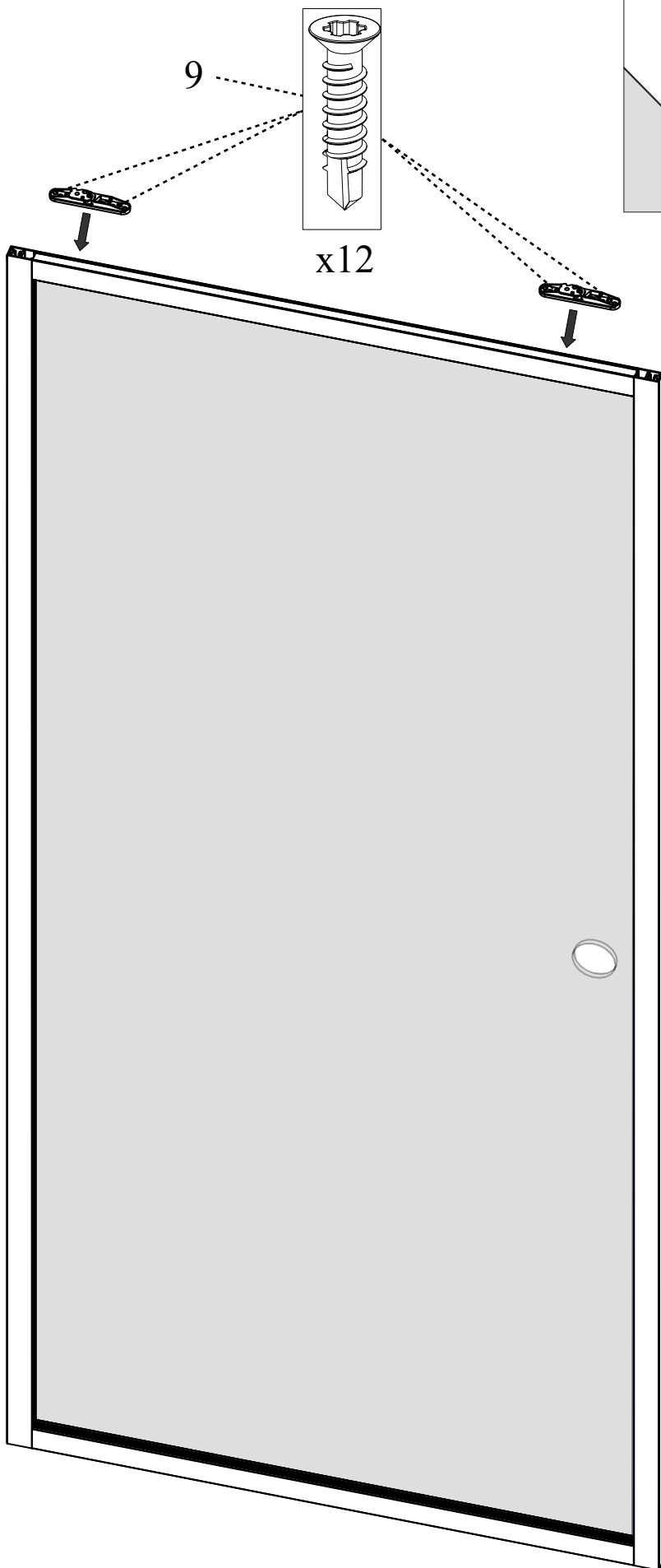
B



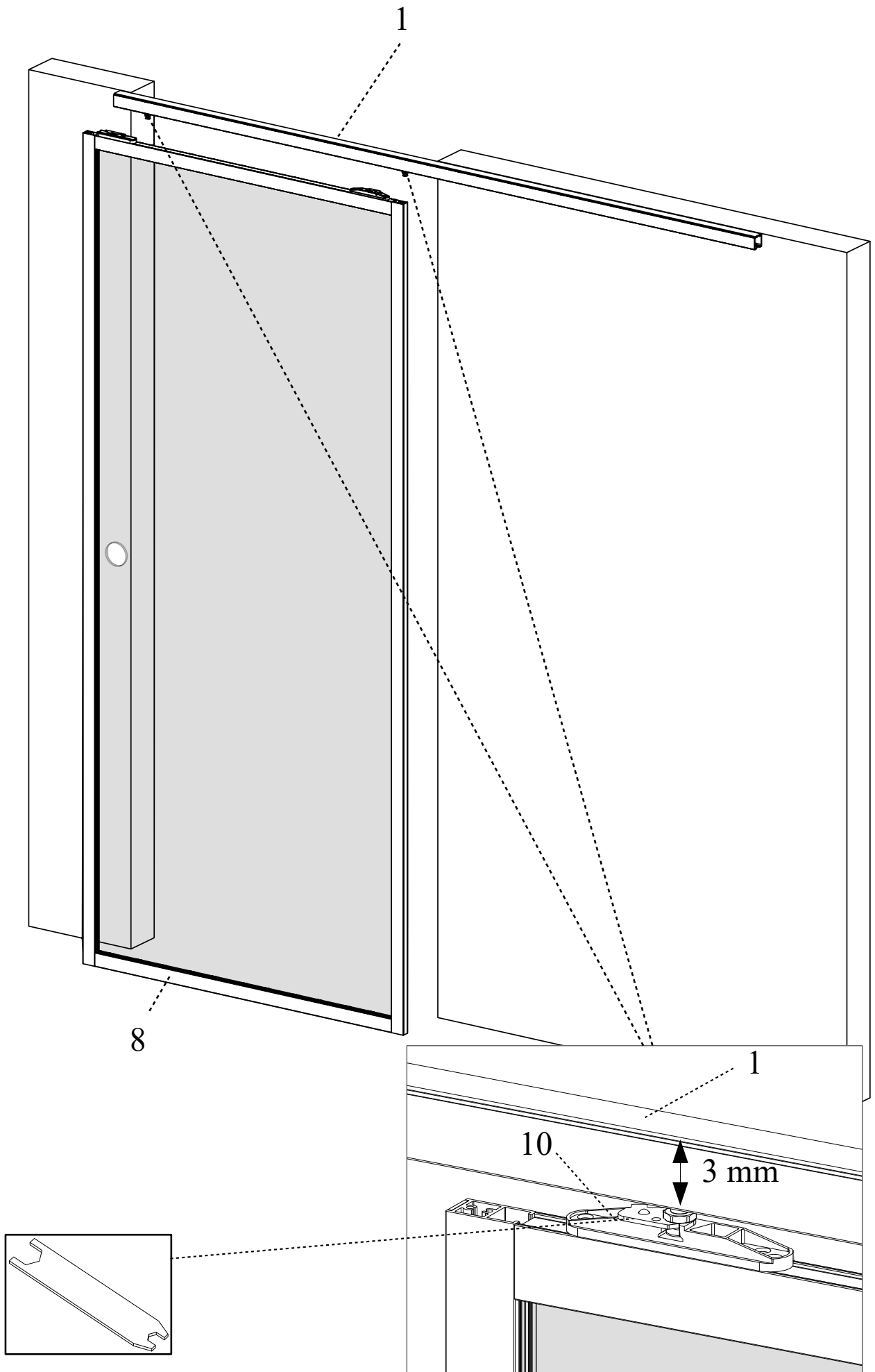
2



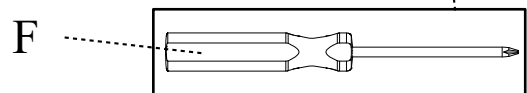
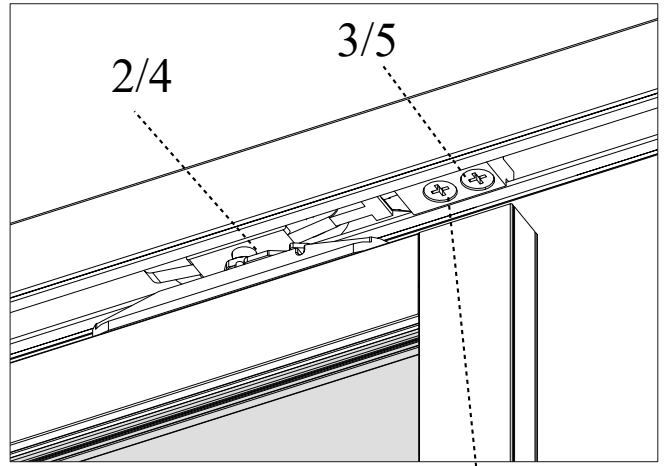
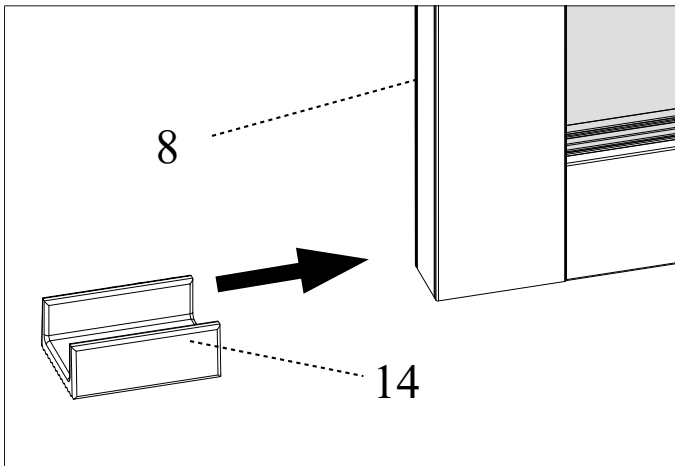
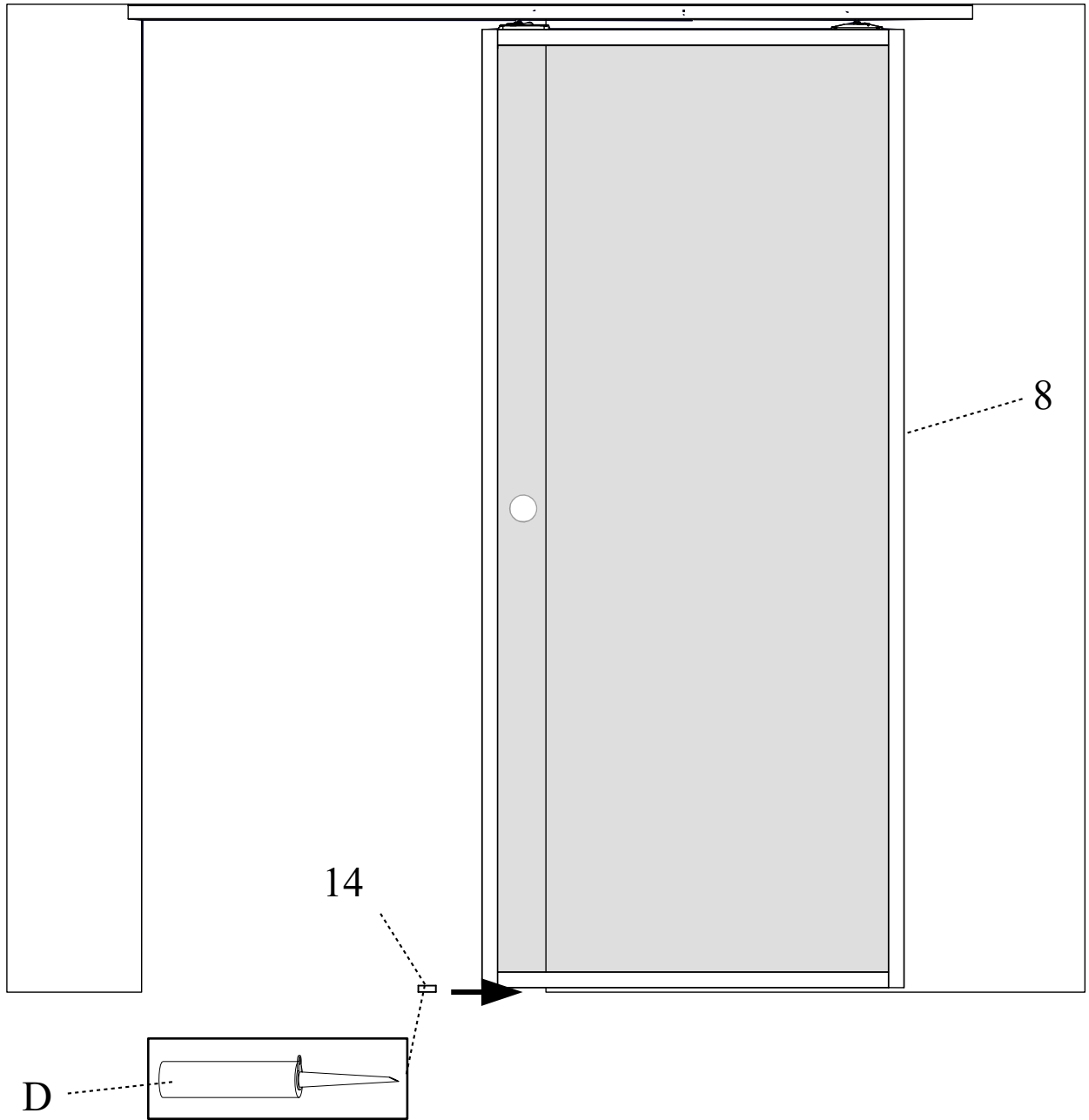
3



4

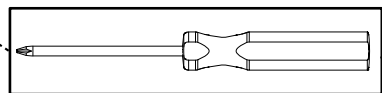
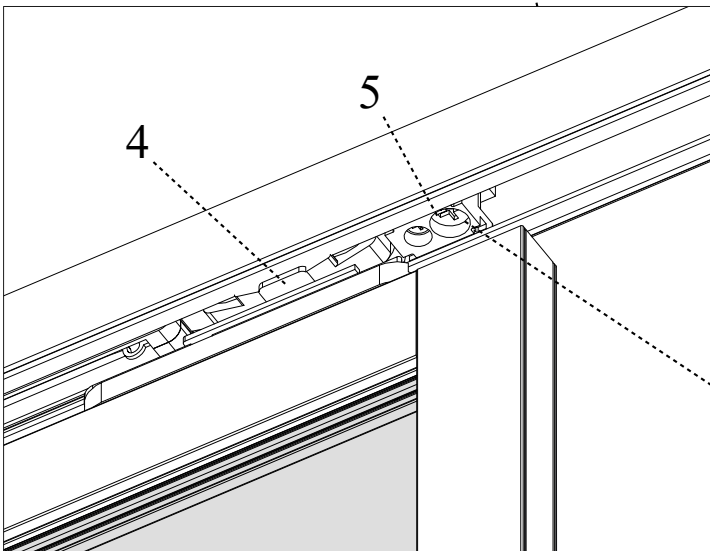
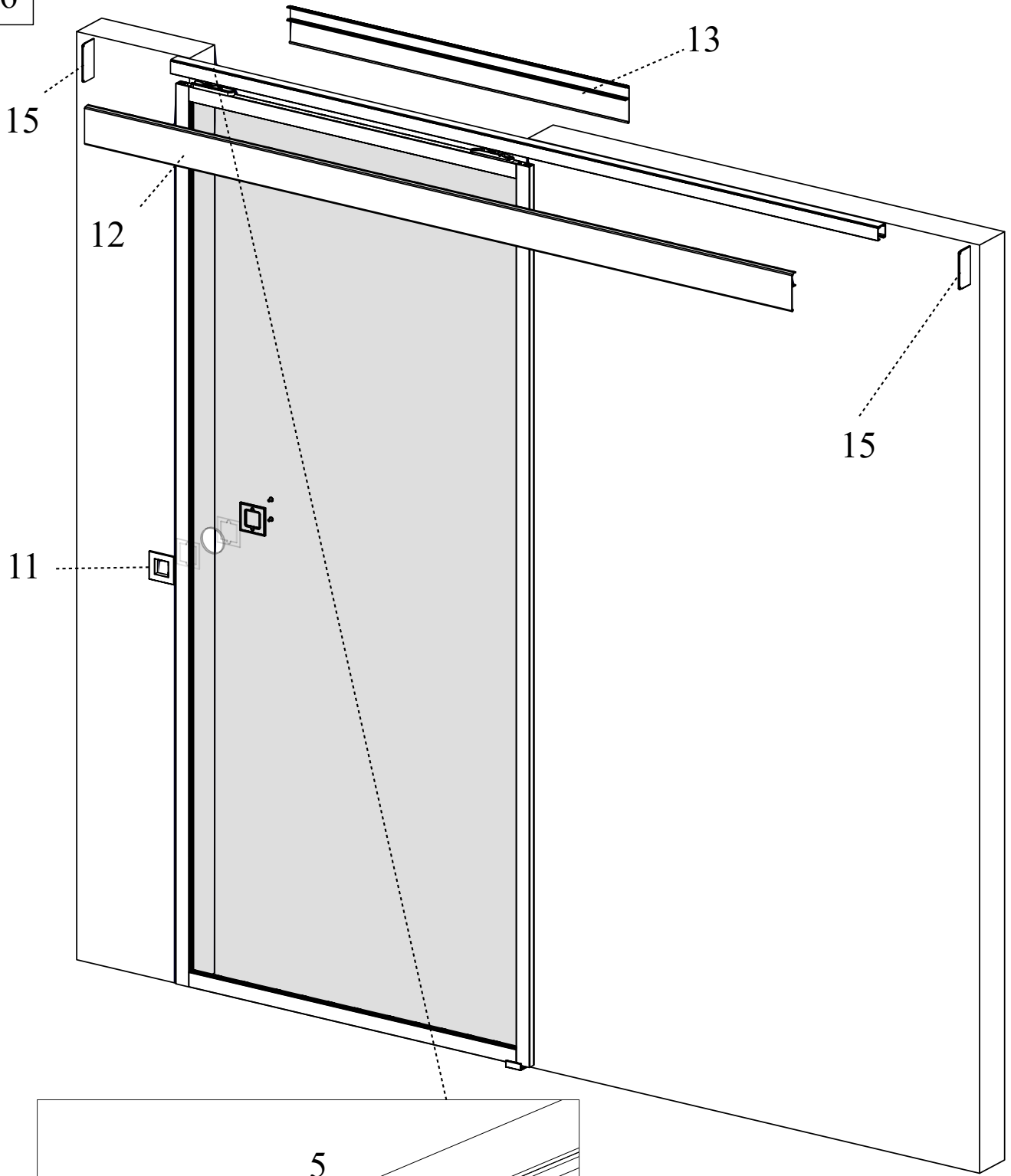


5



9

6



F