

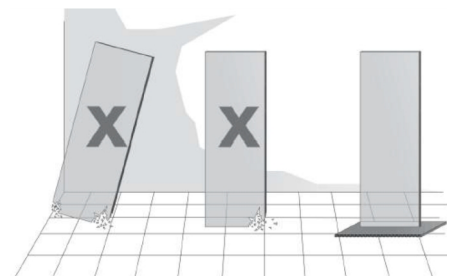
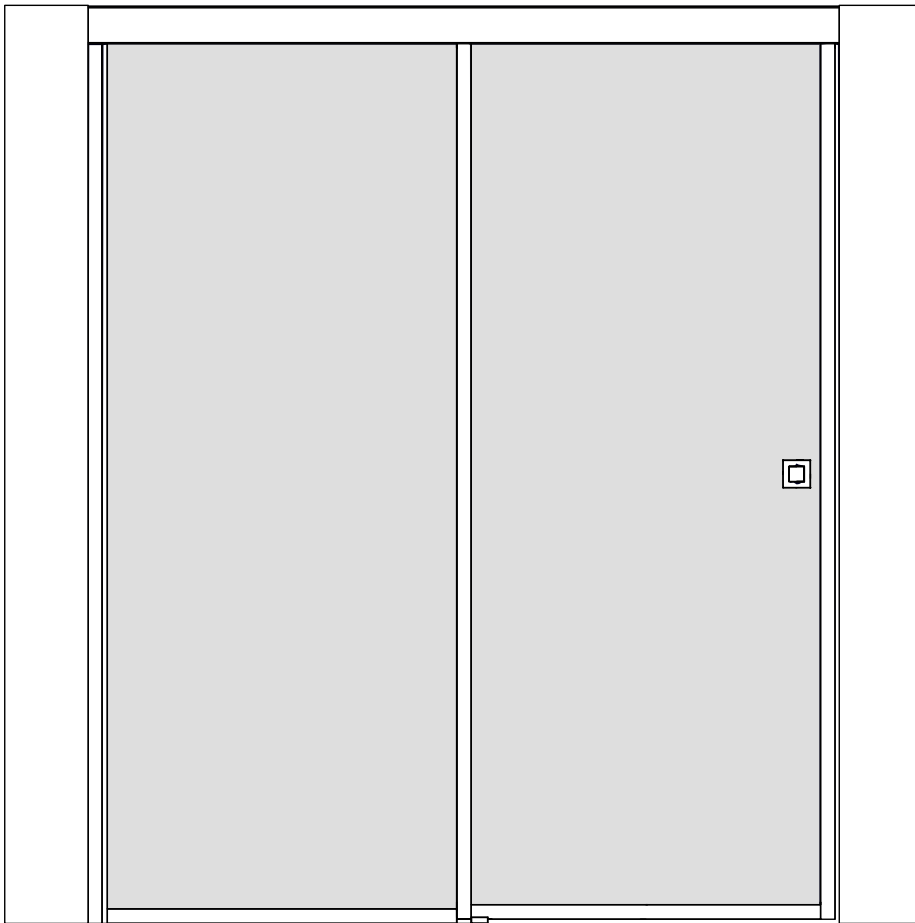


HIETAKARI

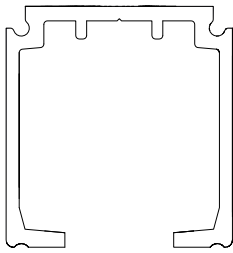


8/25 8NRLM

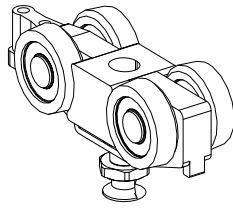
C5N/C5T/C5P



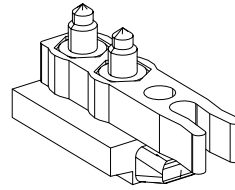
Parts



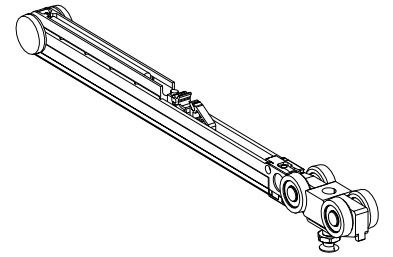
1. x1



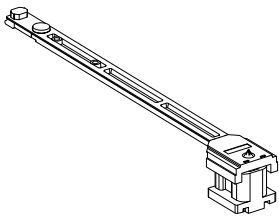
2. A x1
B x0



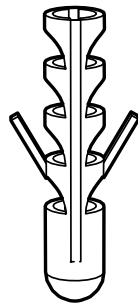
3. A x1
B x0



4. A x1
B x2



5. A x1
B x2



6. 6x30 mm

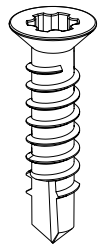


7. 4.5x44 mm

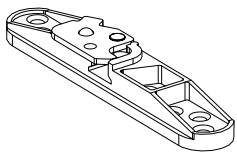
4/83 3IRLM



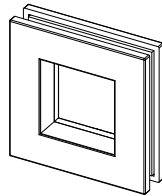
8. x1



9. 4.2x19 mm



10. x2



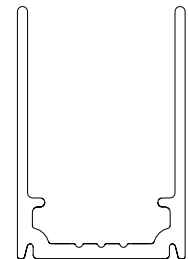
11. x1



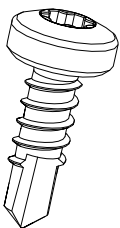
12. x2



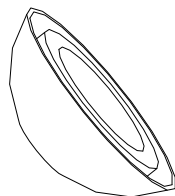
13. x1



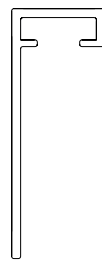
14. x1



15. 4.2x13 mm



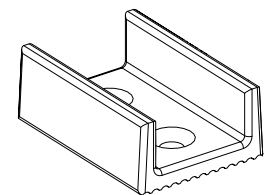
16.



17. x1

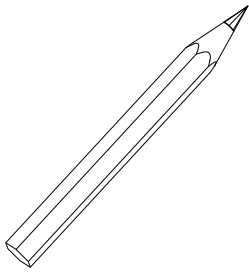


18. x1

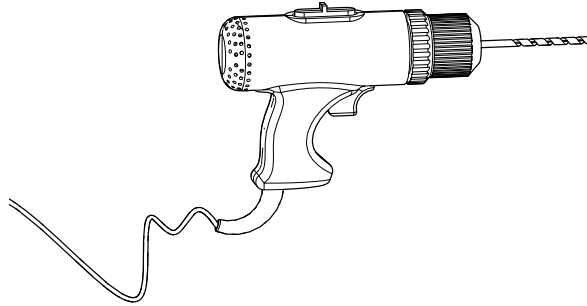


19. x1

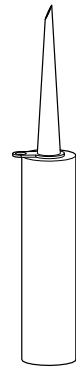
Tools



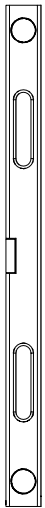
A



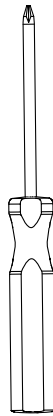
Ø6 mm
B



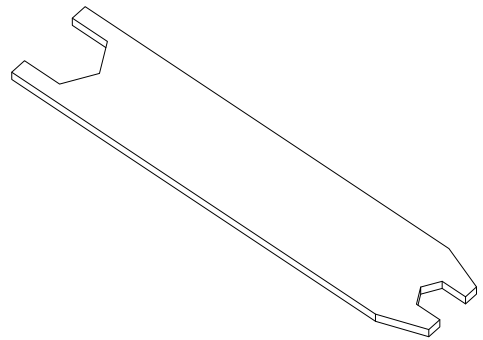
C – Silicone
D – Glue



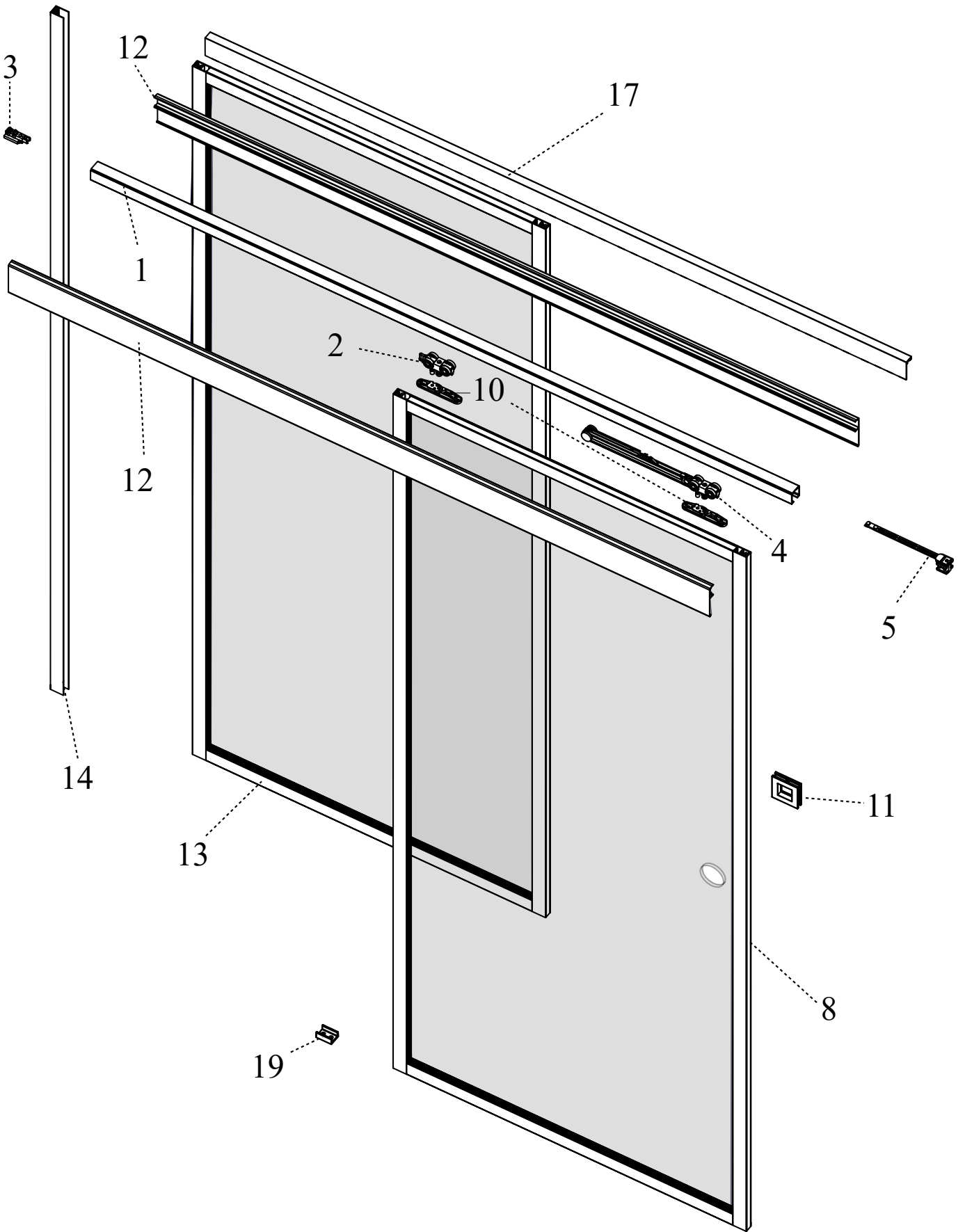
E



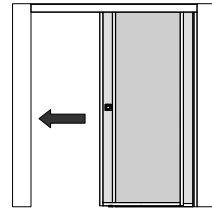
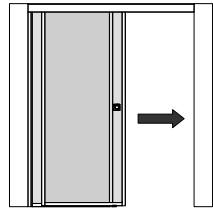
F



G



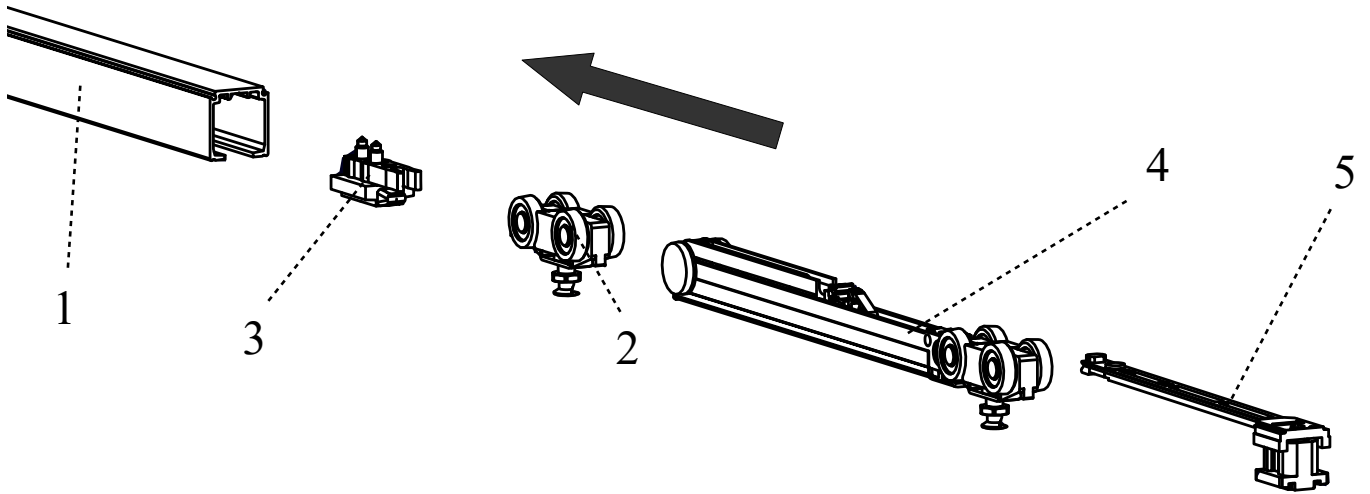
1



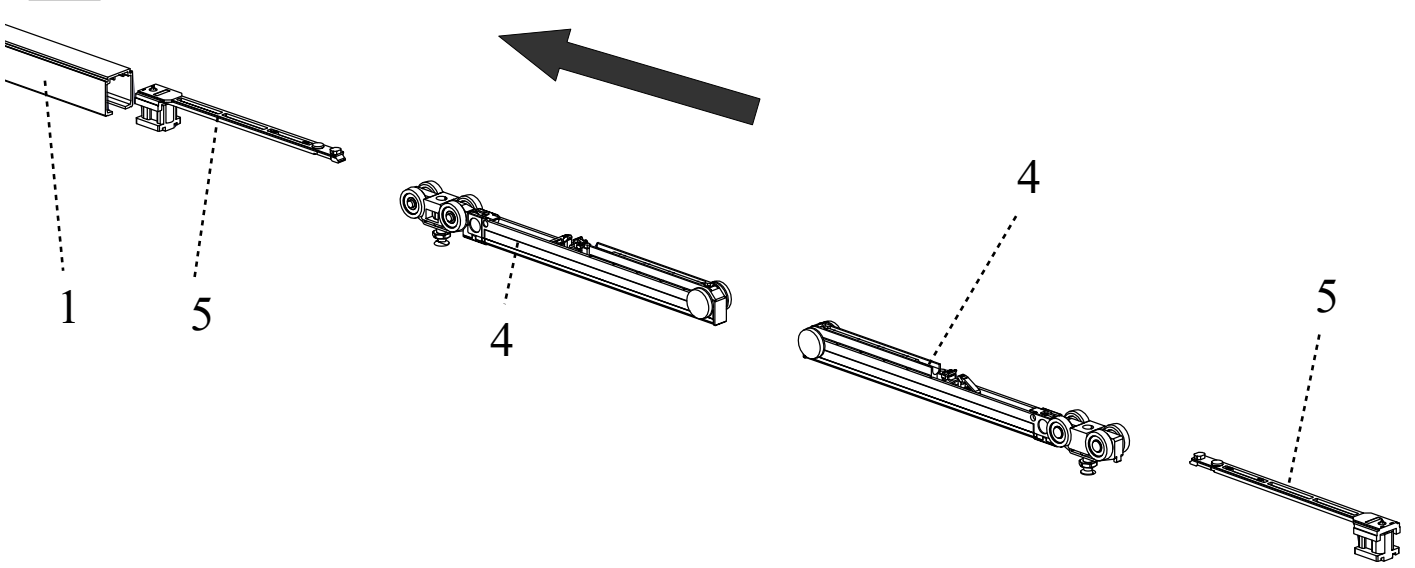
A: 1←3-2-4-5
B: 1←5-4-4-5

A: 1←5-4-2-3
B: 1←5-4-4-5

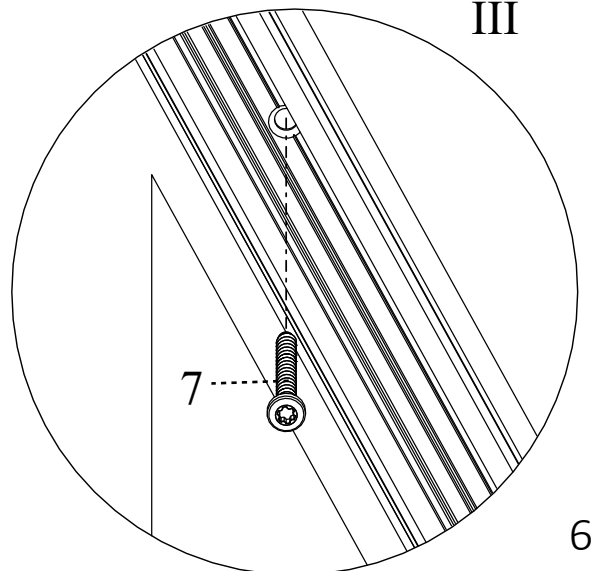
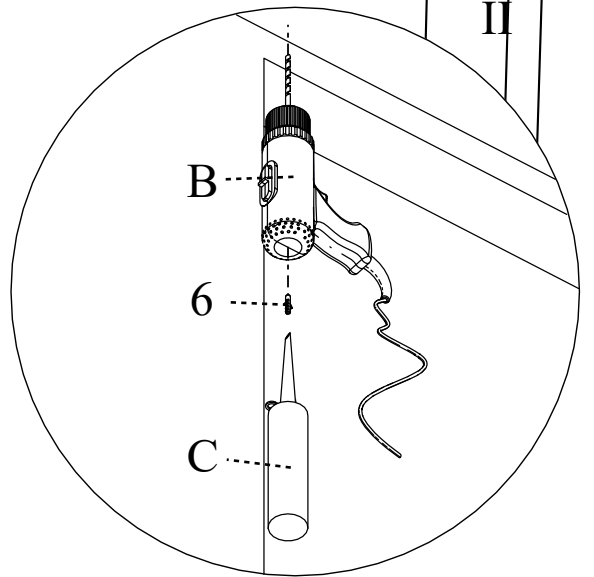
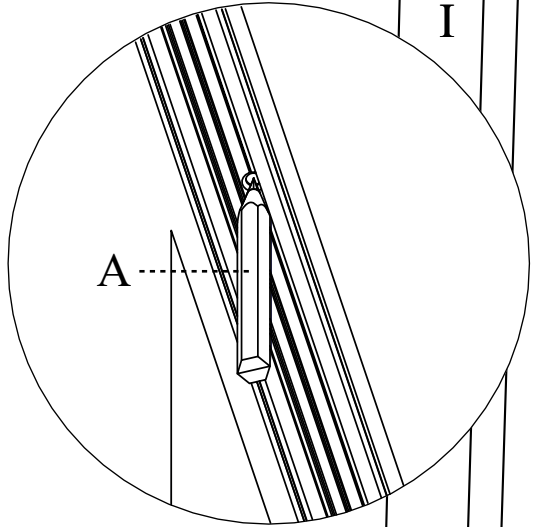
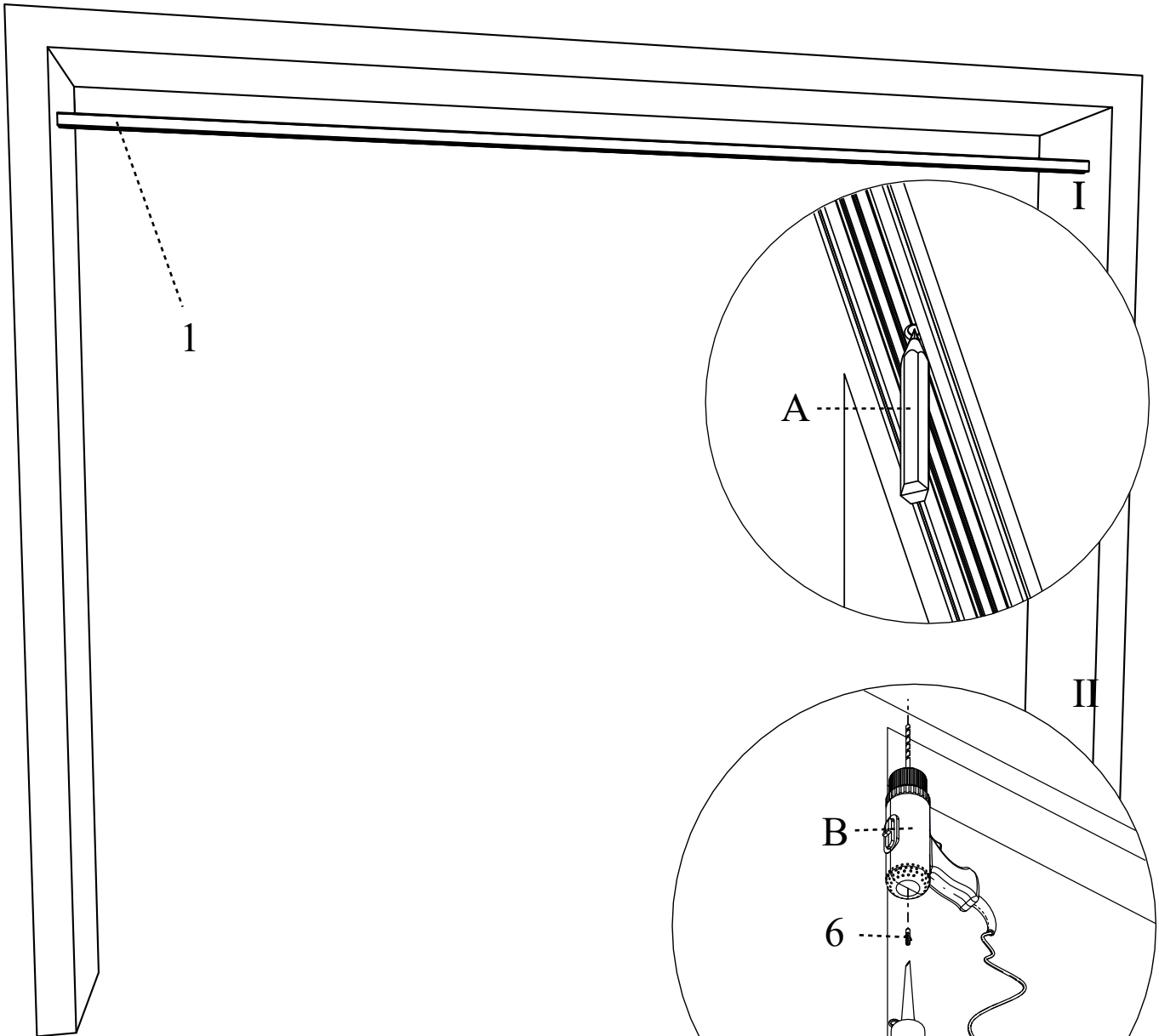
A



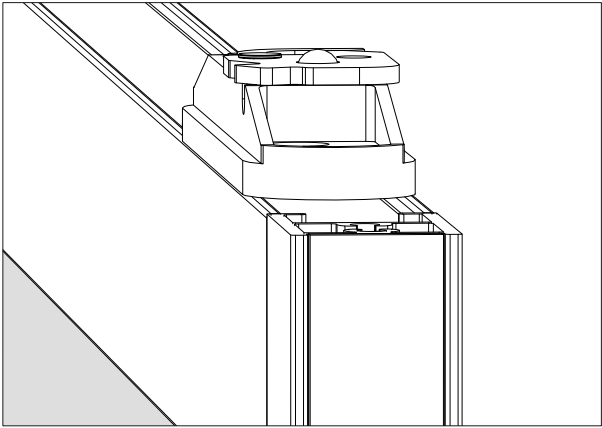
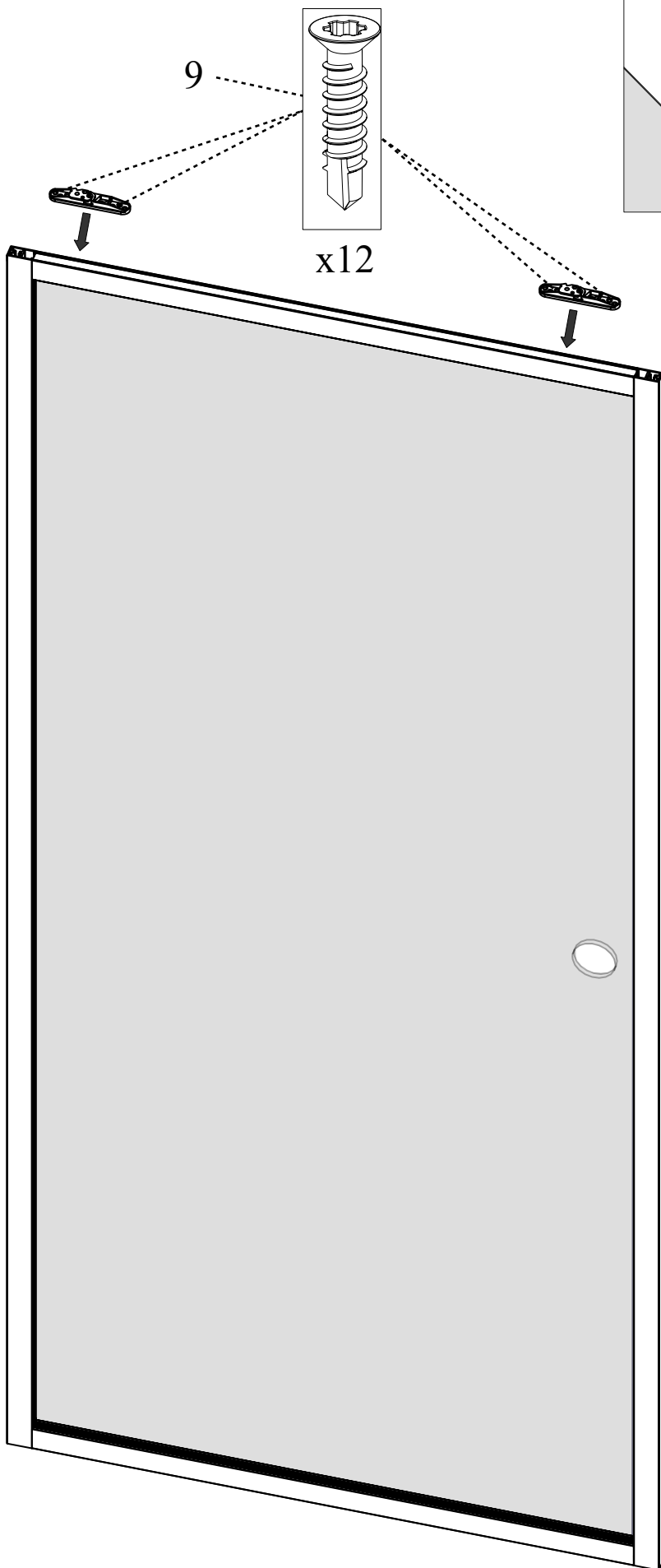
B



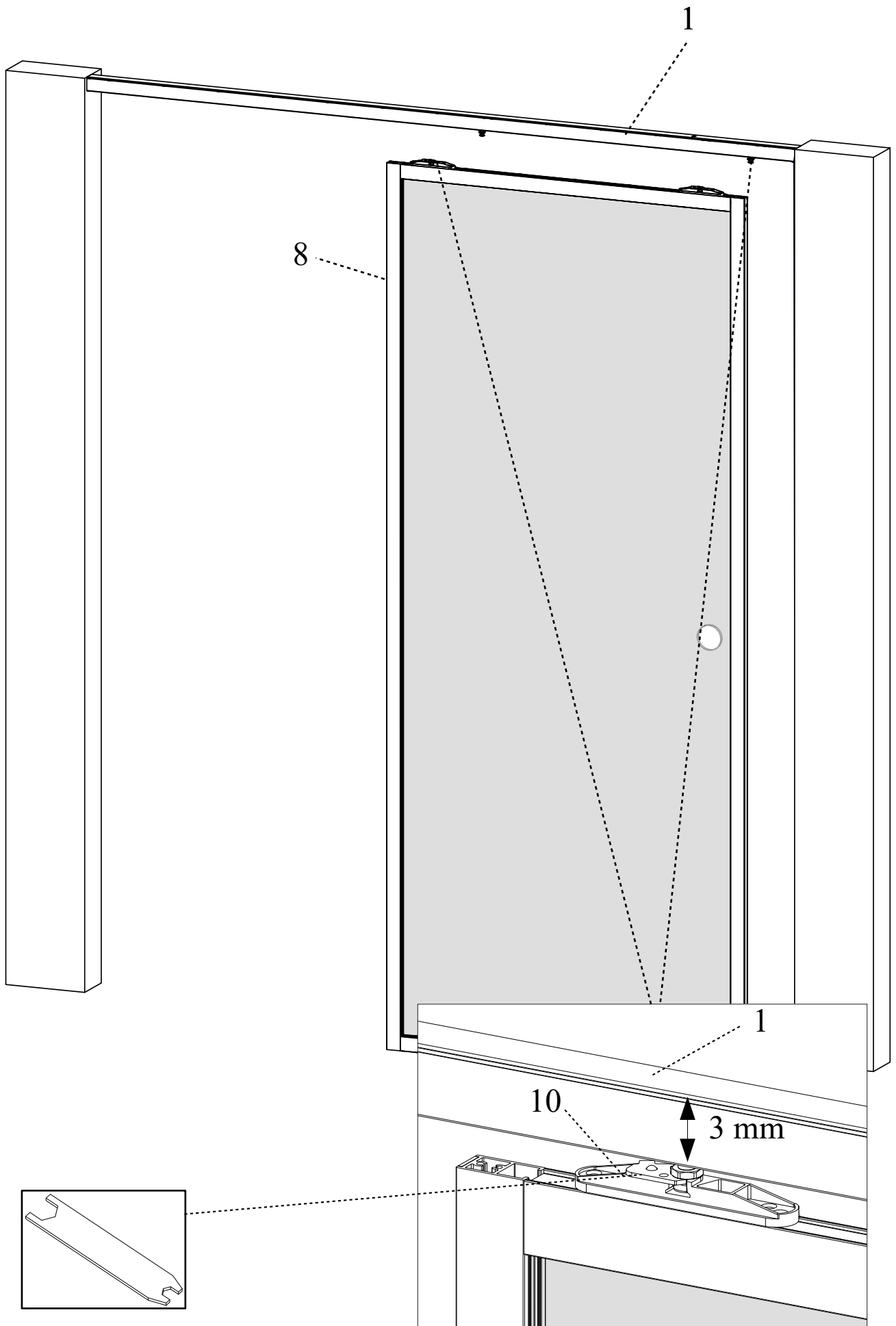
2



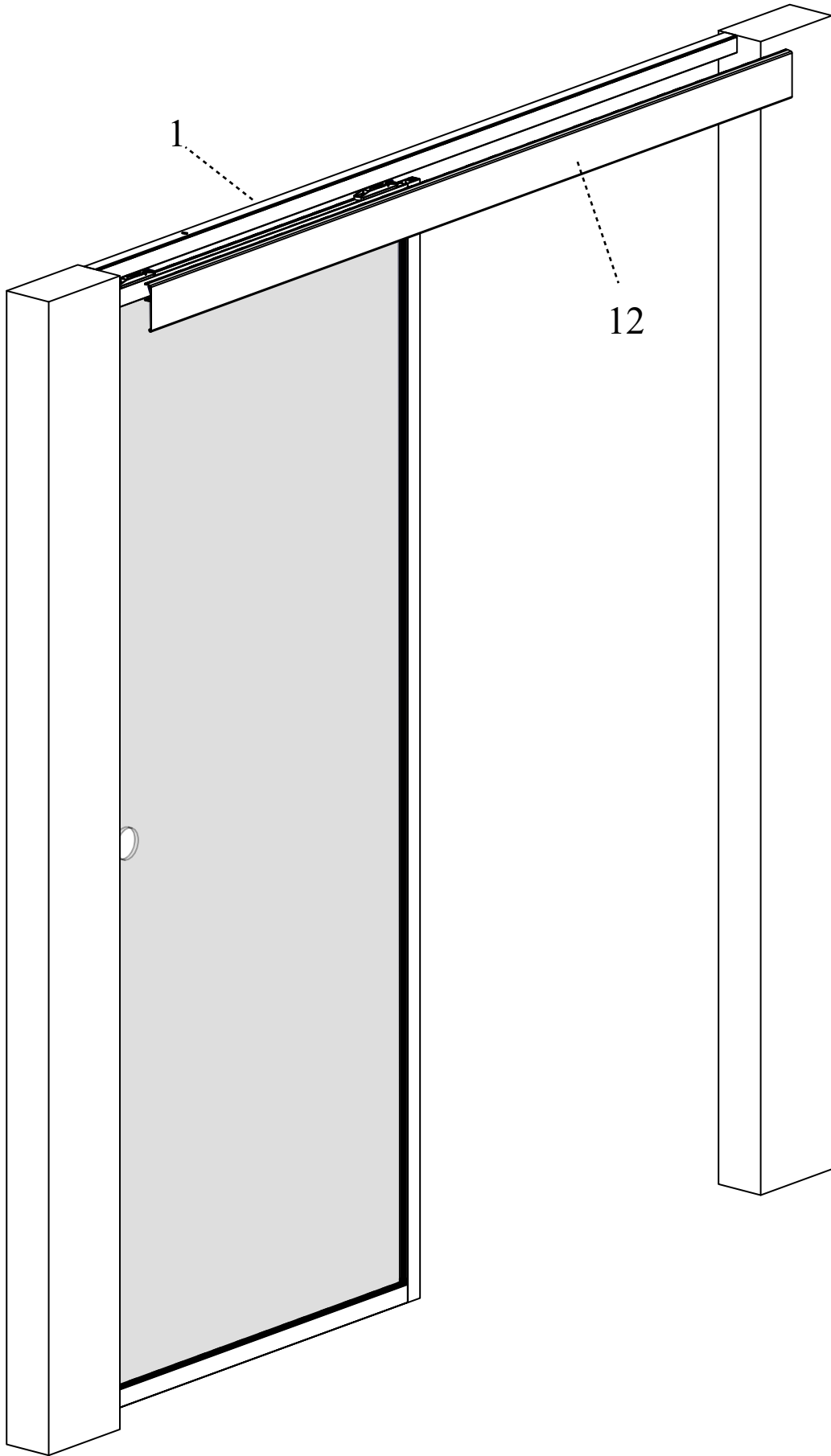
3



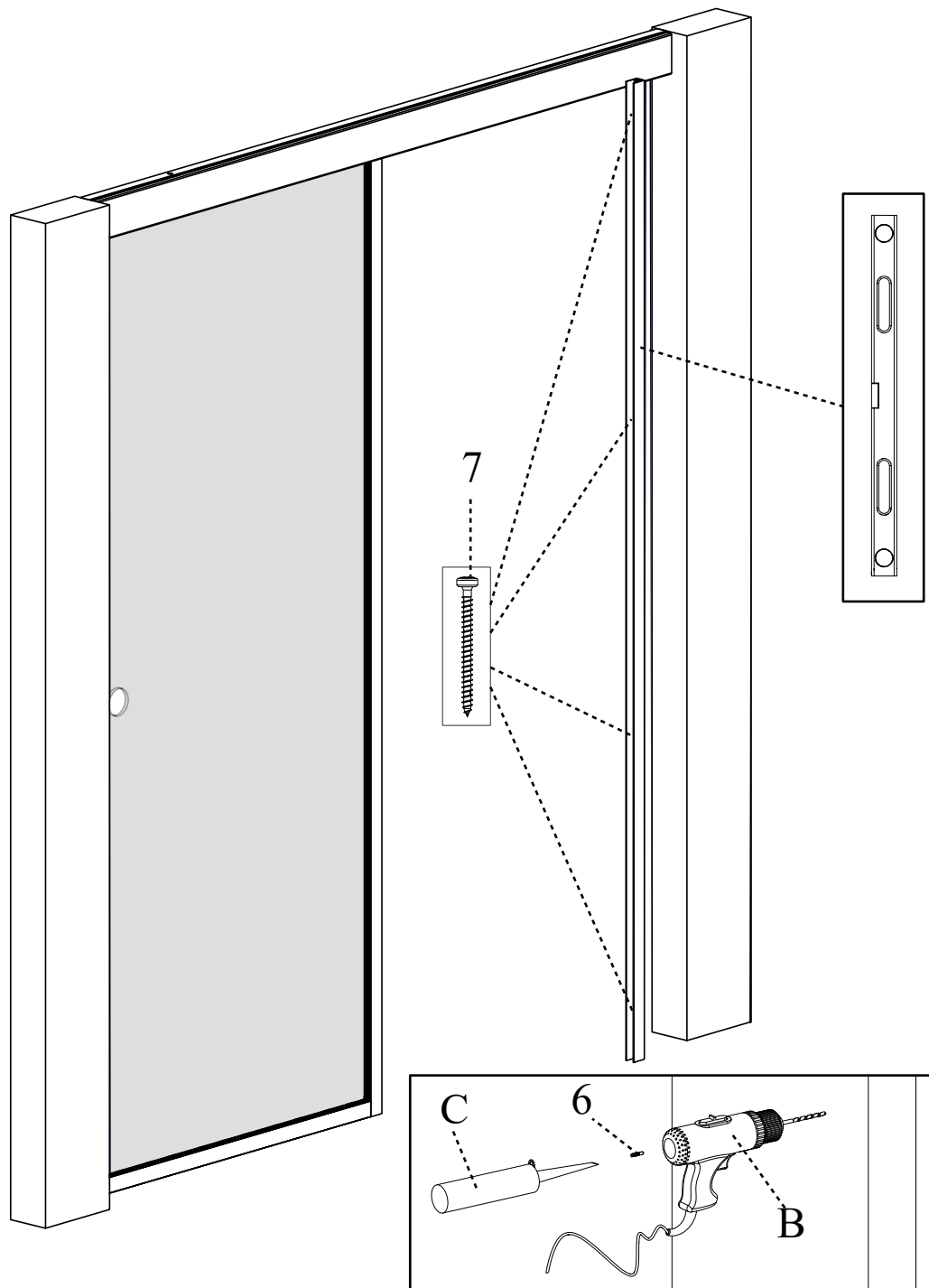
4



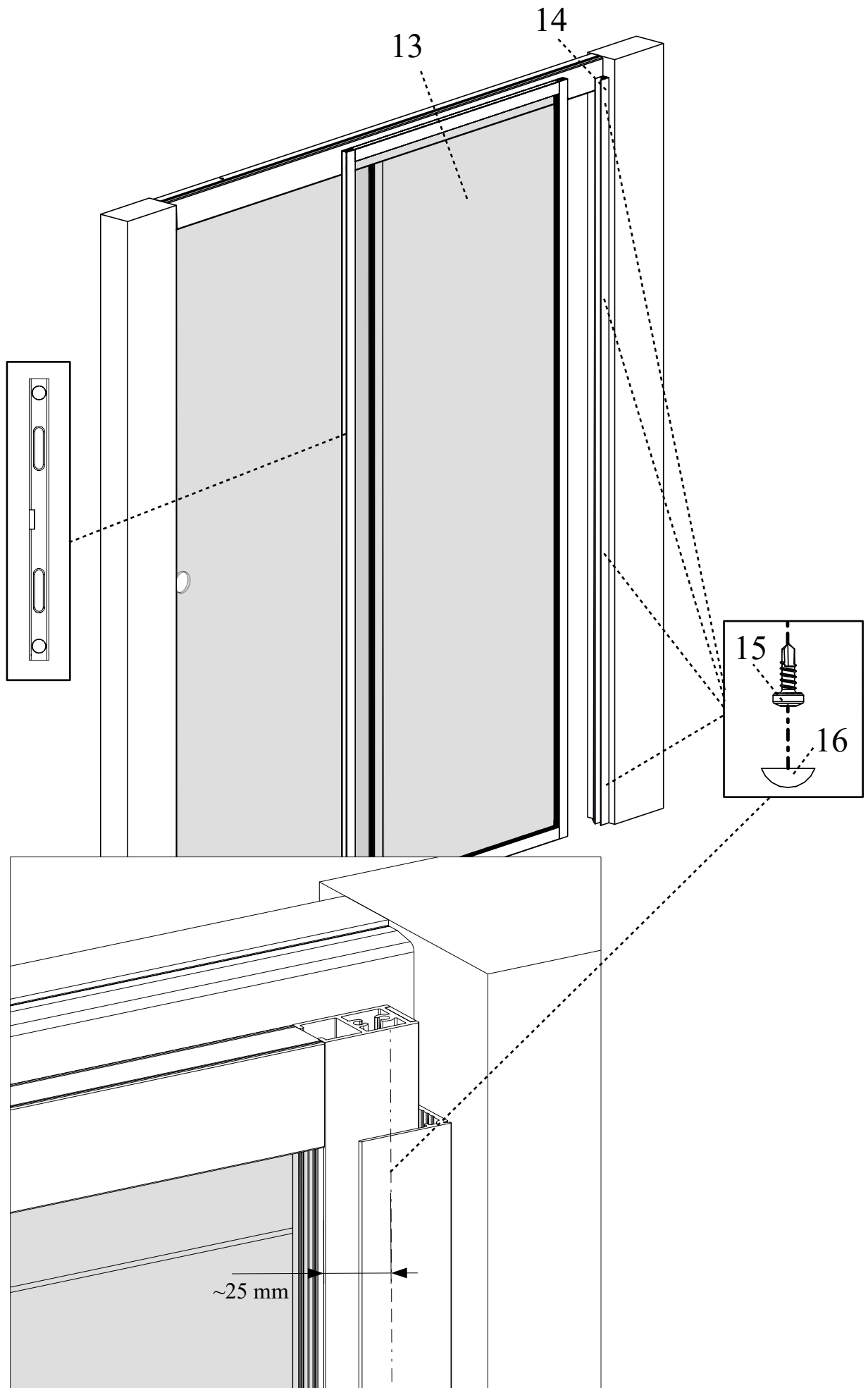
5

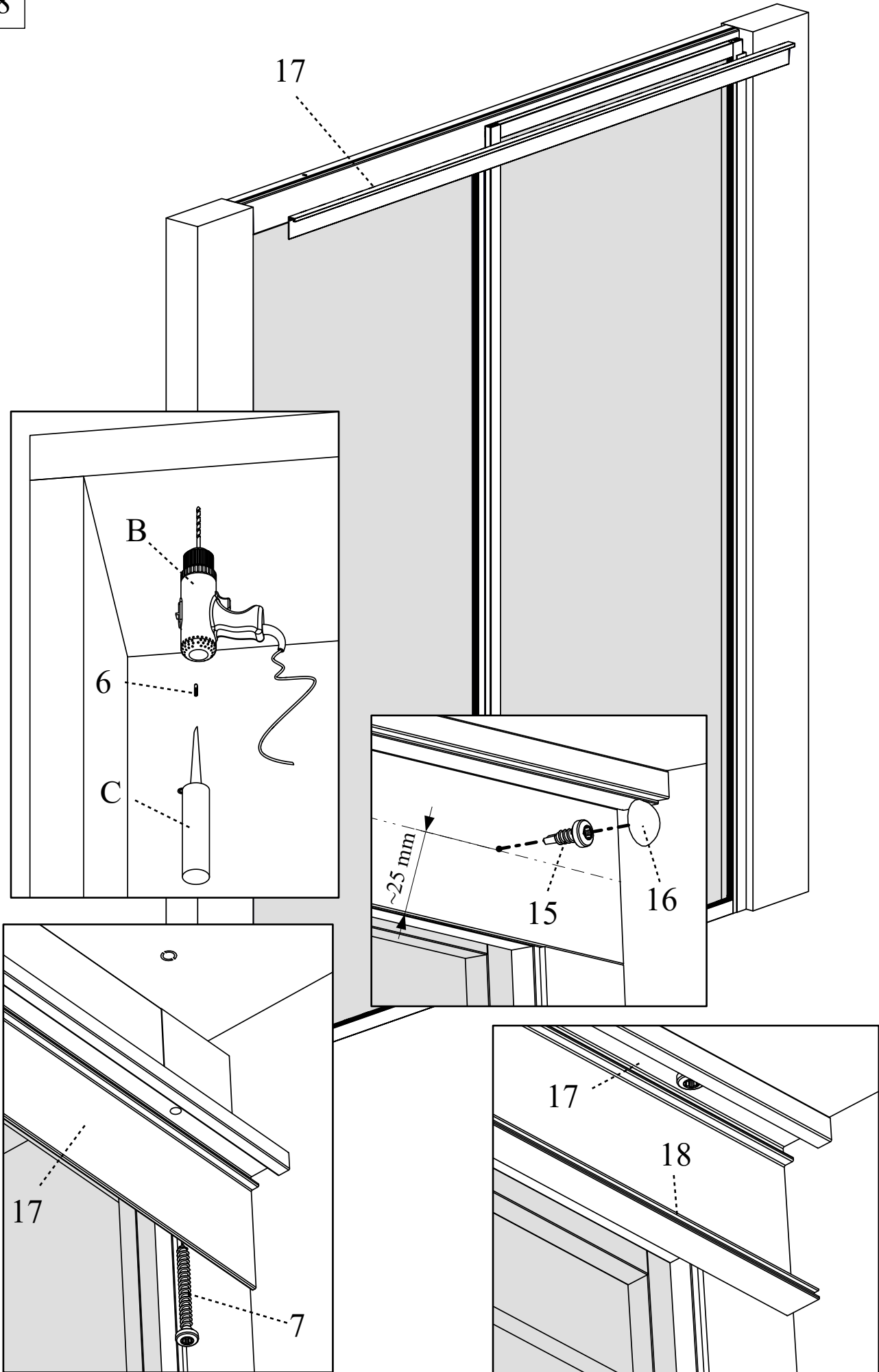


6

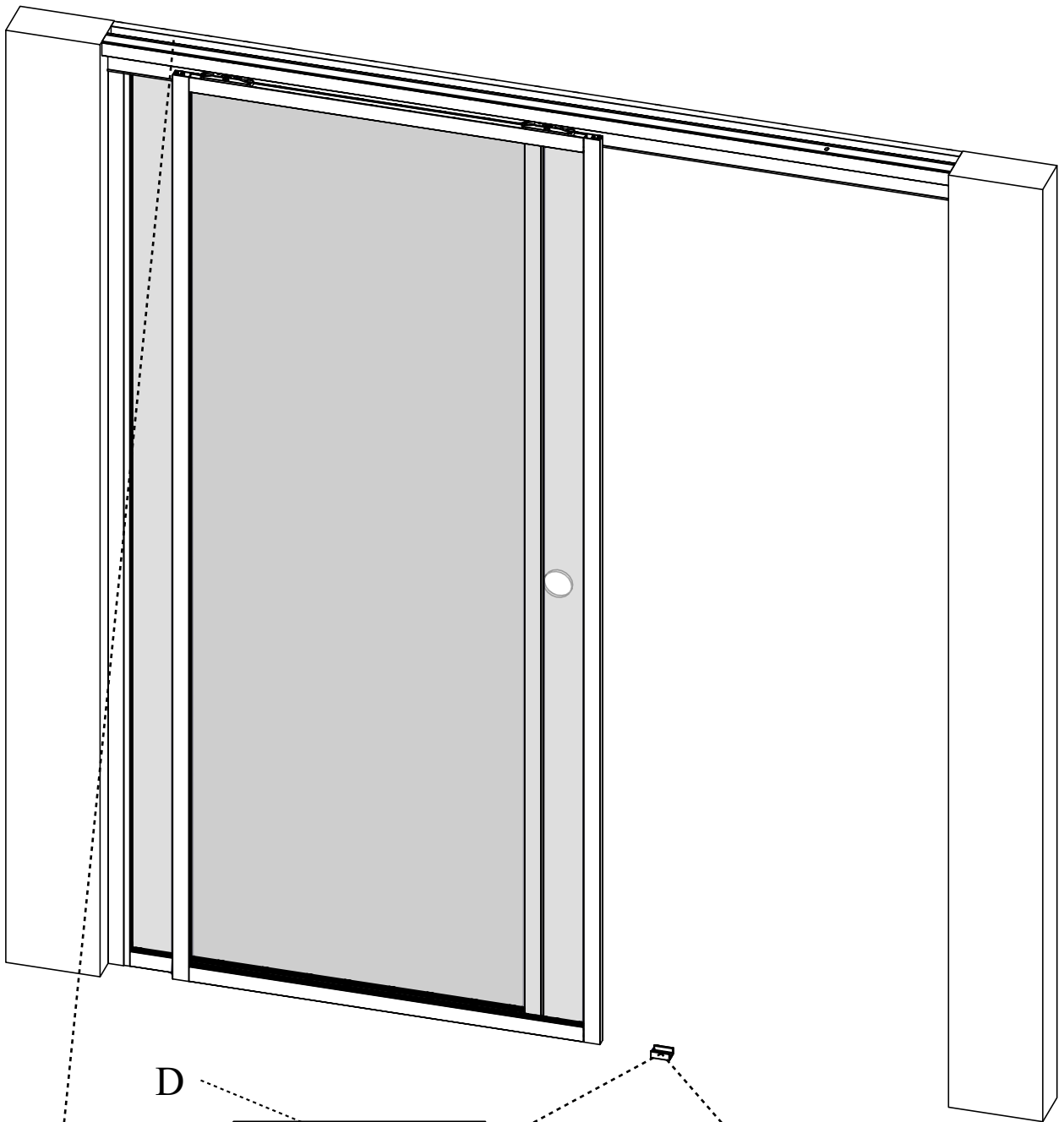


7

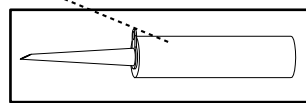




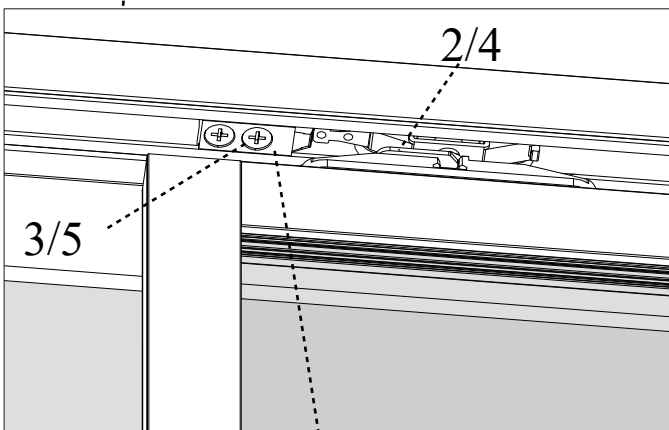
9



D

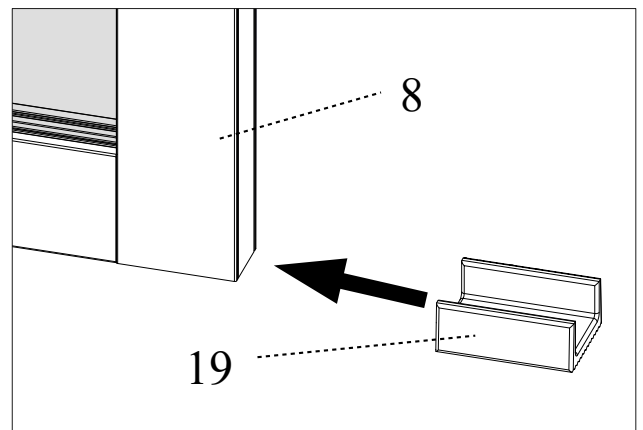


19



2/4

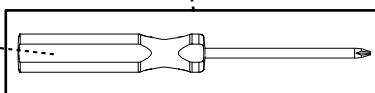
3/5



8

19

F



10

