

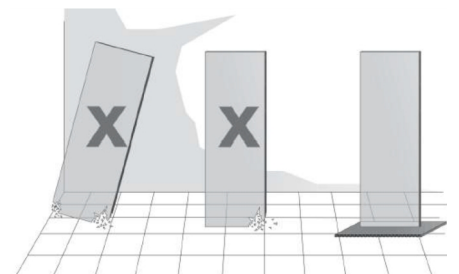
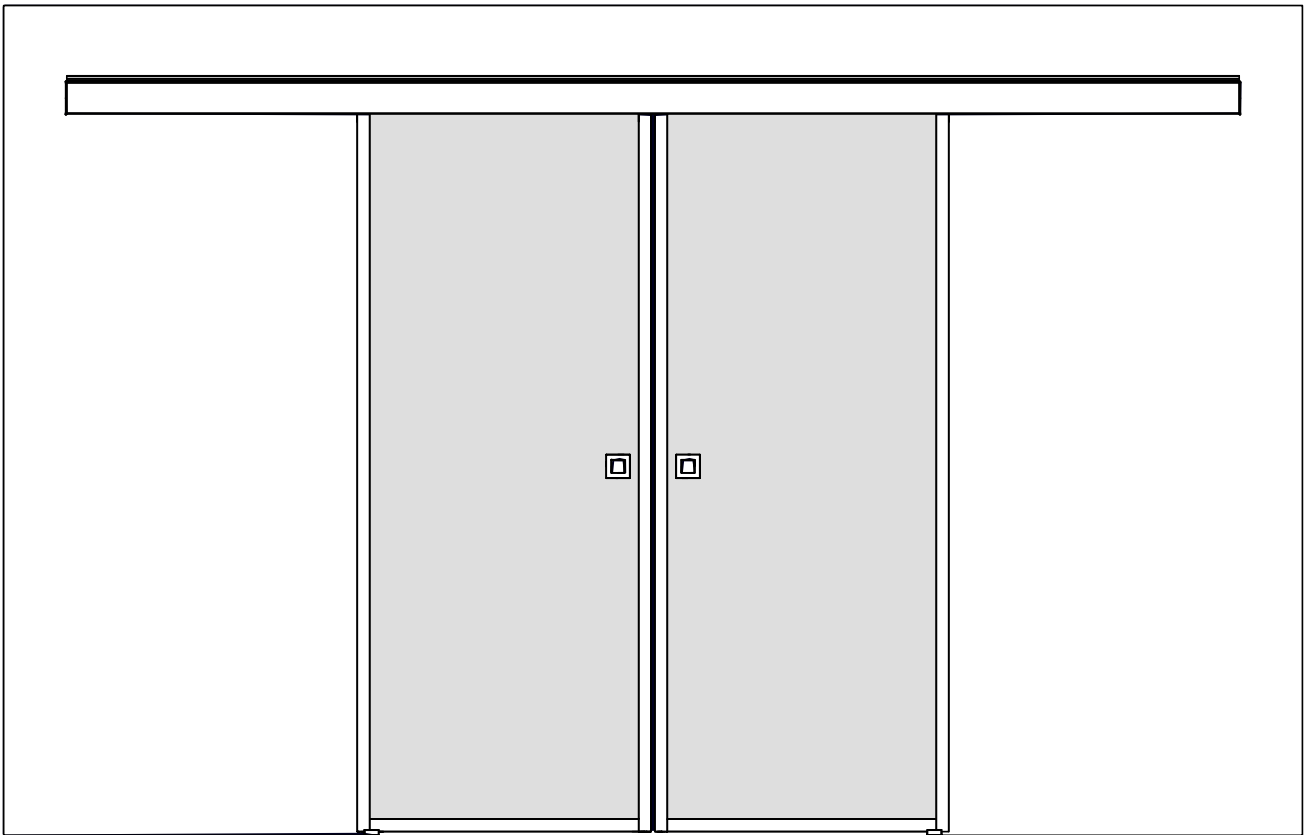


HIETAKARI

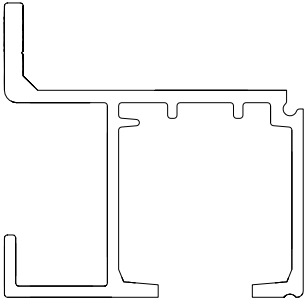


8/25 8SRLM

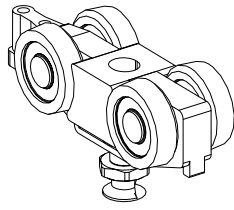
W2N/W2T/W2P



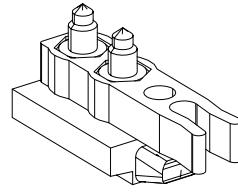
# Parts



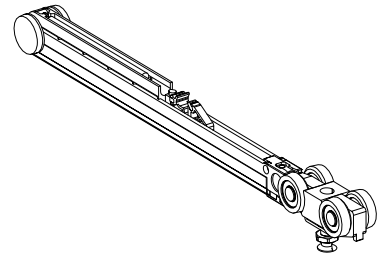
1. x1



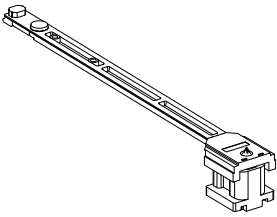
2. A x2  
B x0



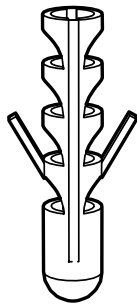
3. A x2  
B x0



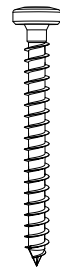
4. A x2  
B x4



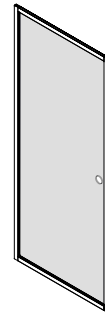
5. A x2  
B x4



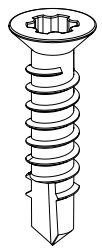
6. 6x30 mm



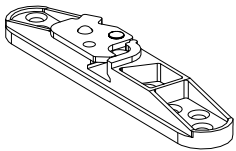
7. 3.5x39 mm



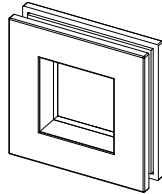
8. x2



9. 4.2x19 mm



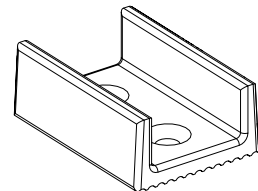
10. x4



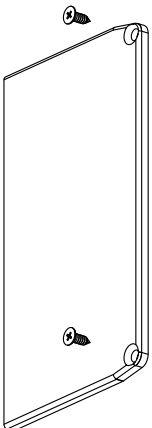
11. x2



12. x1

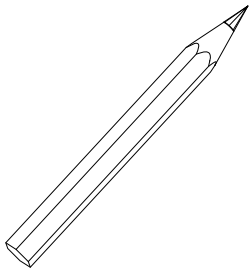


13. x2

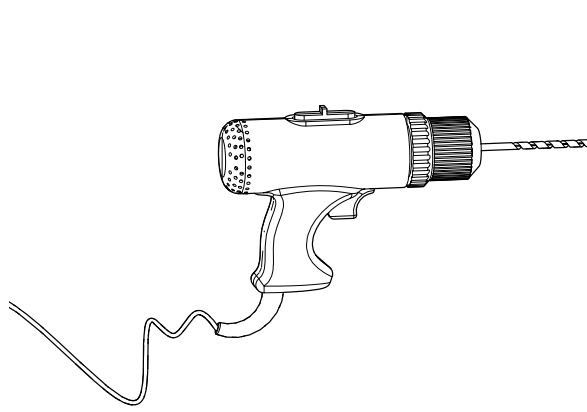


14.

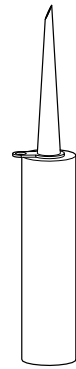
# Tools



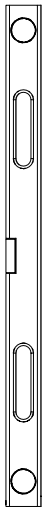
A



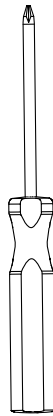
Ø6 mm  
B



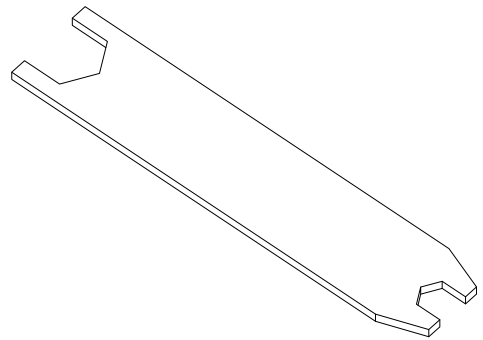
C – Silicone  
D – Glue



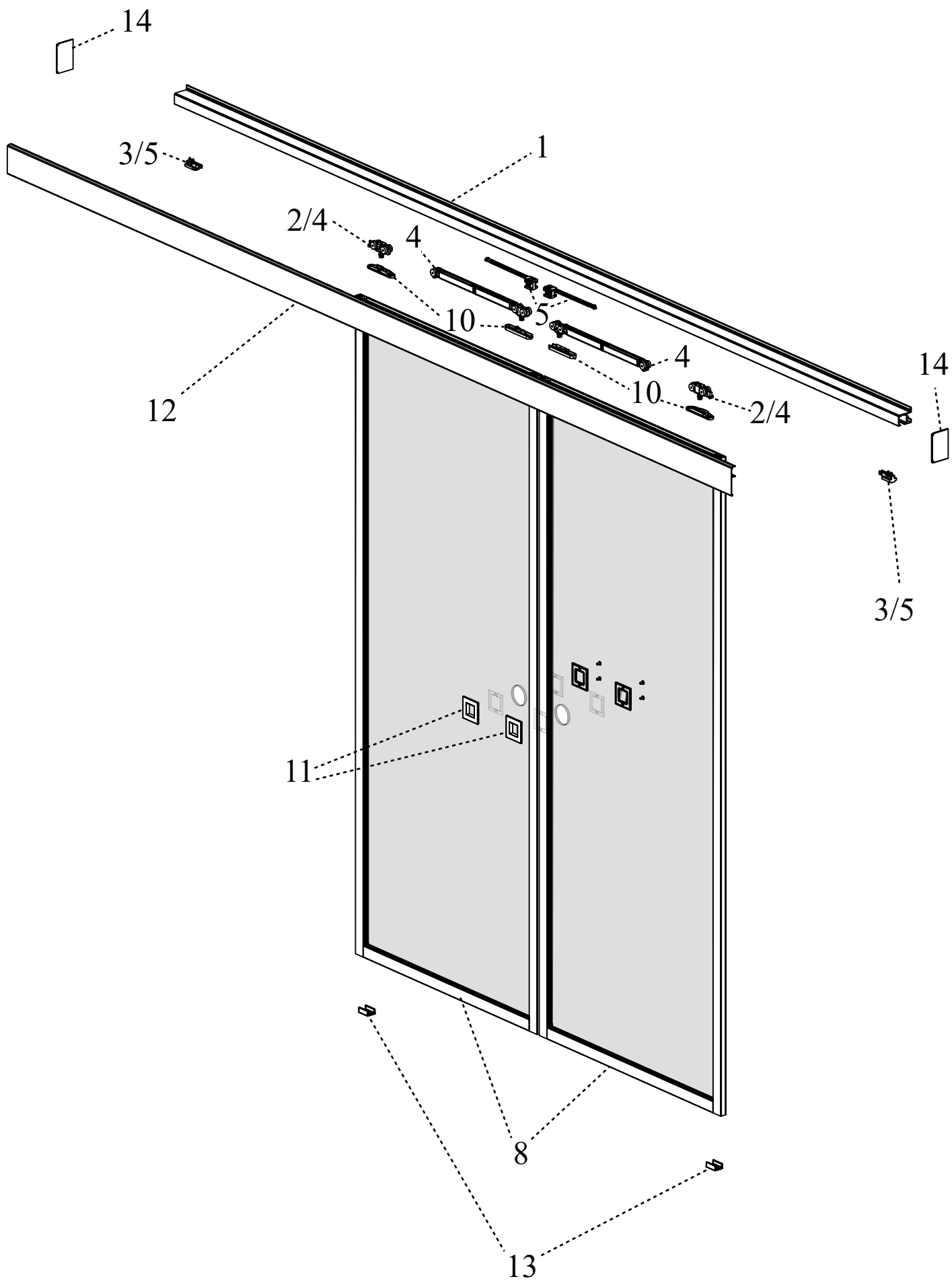
E



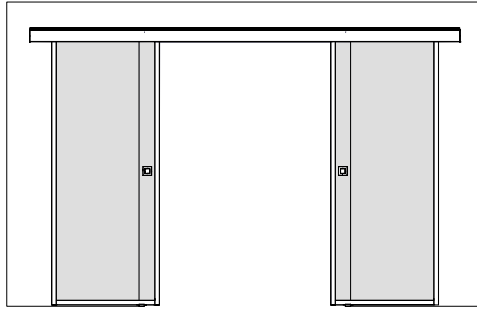
F



G



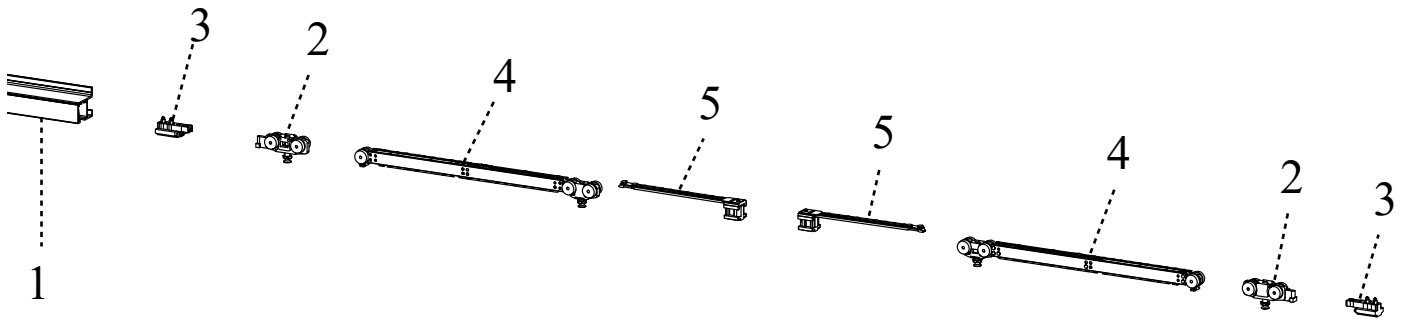
1



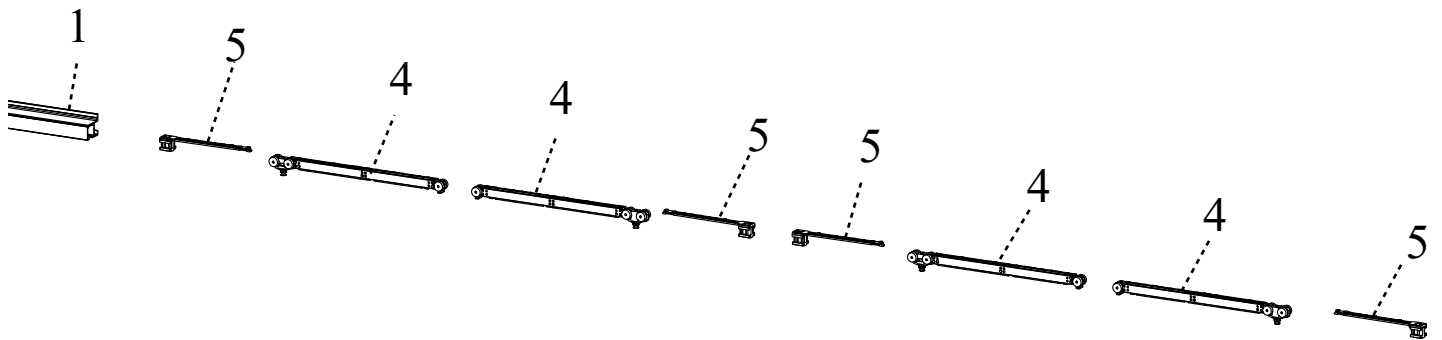
A: 1←3-2-4-5-5-4-2-3

B: 1←5-4-4-5-5-4-4-5

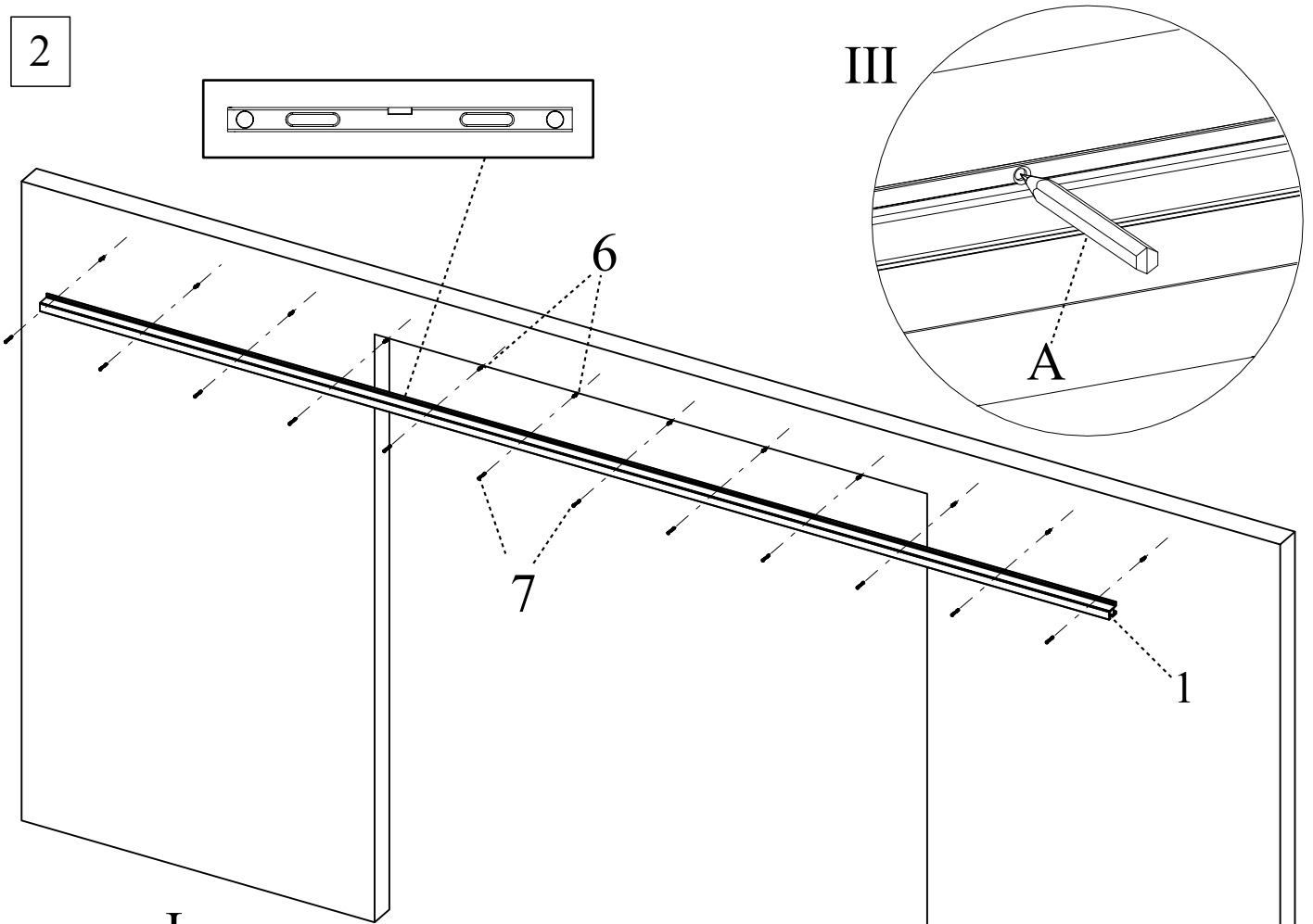
A



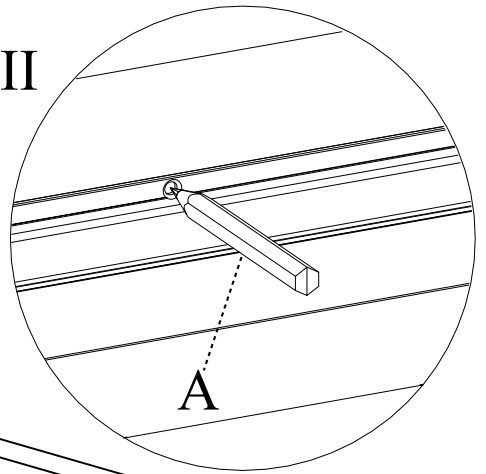
B



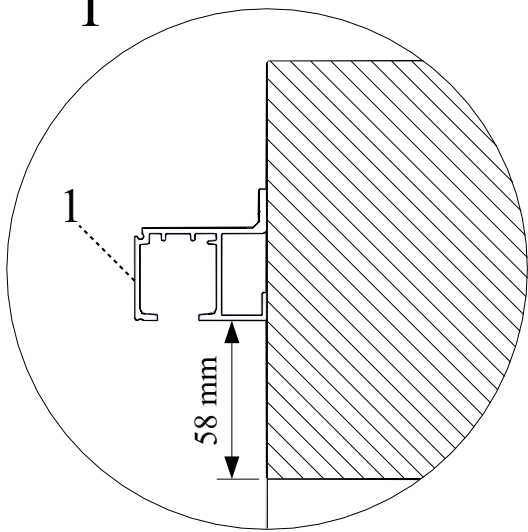
2



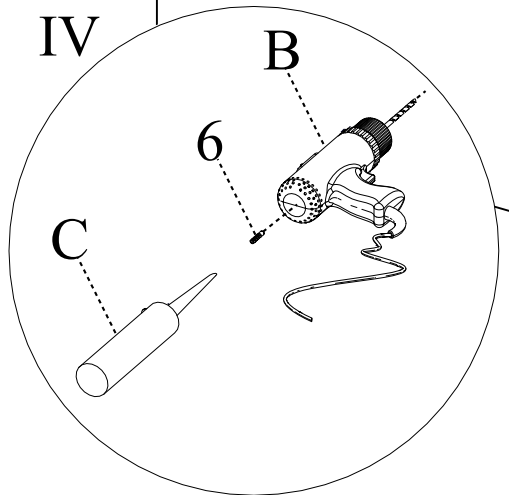
III



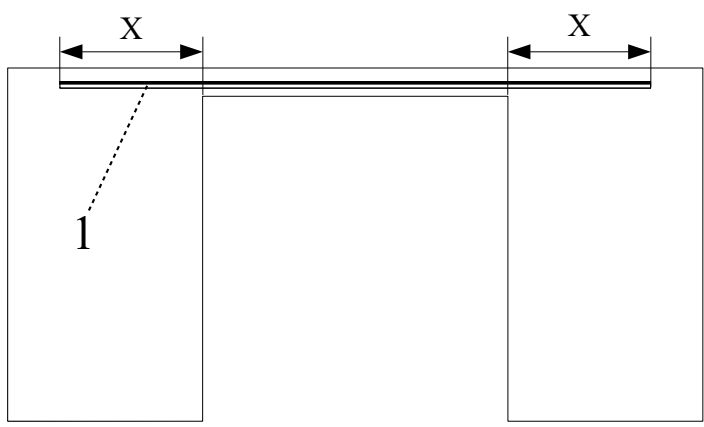
I



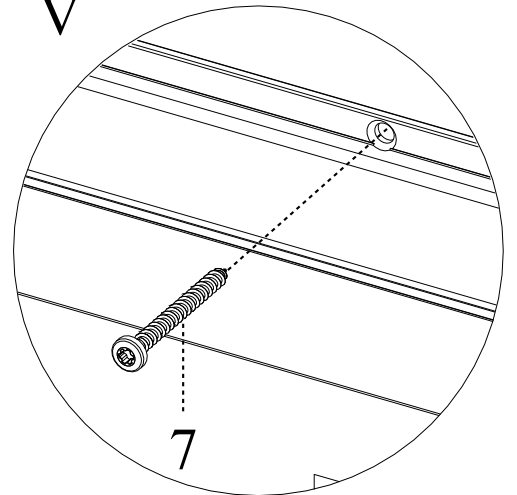
IV



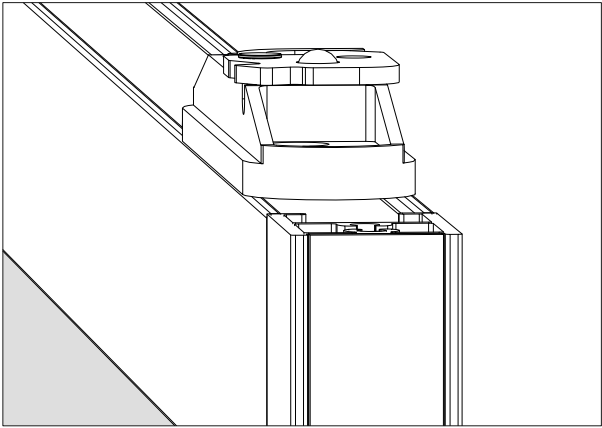
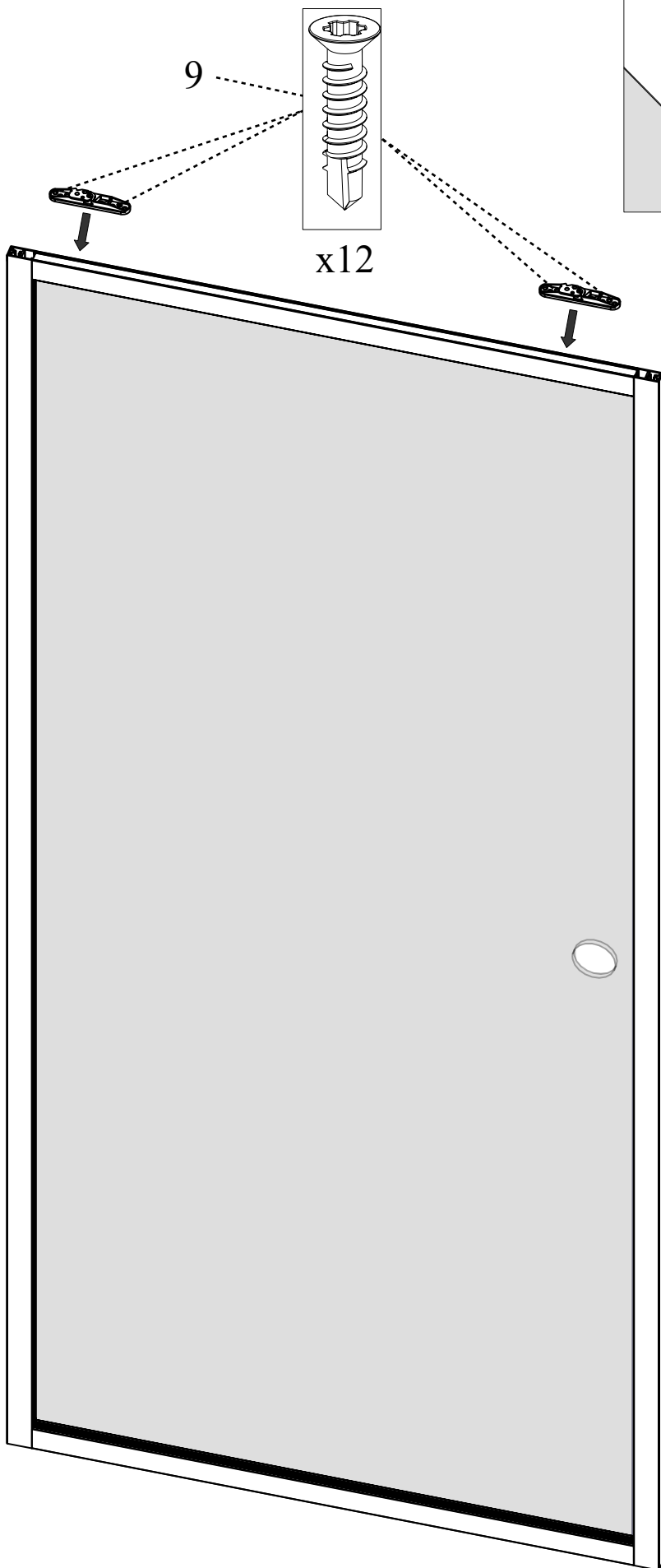
II



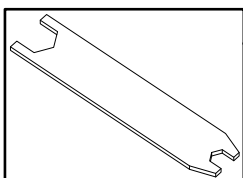
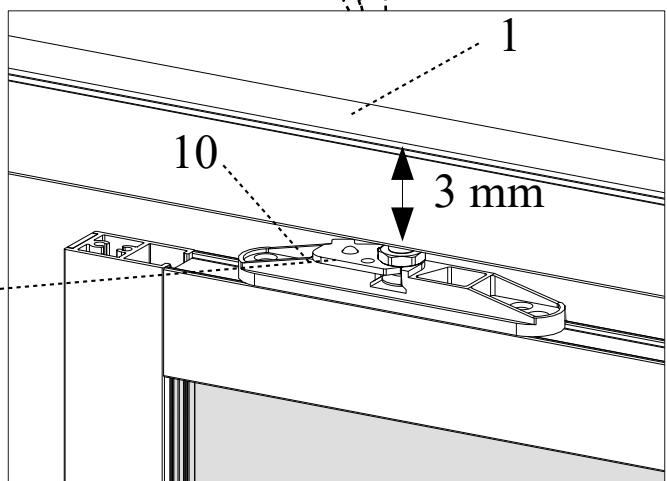
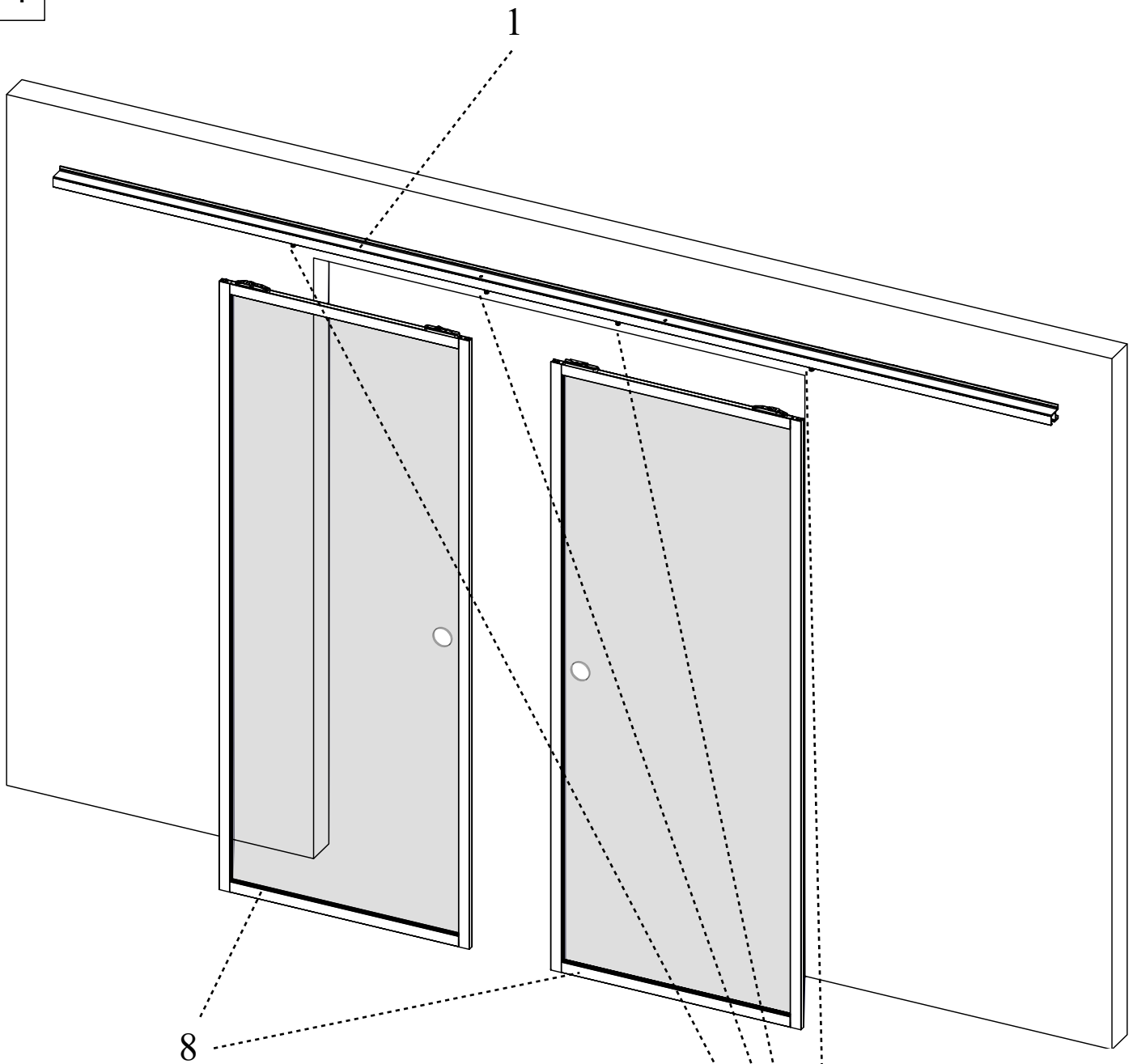
V



3

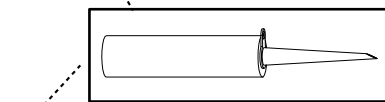
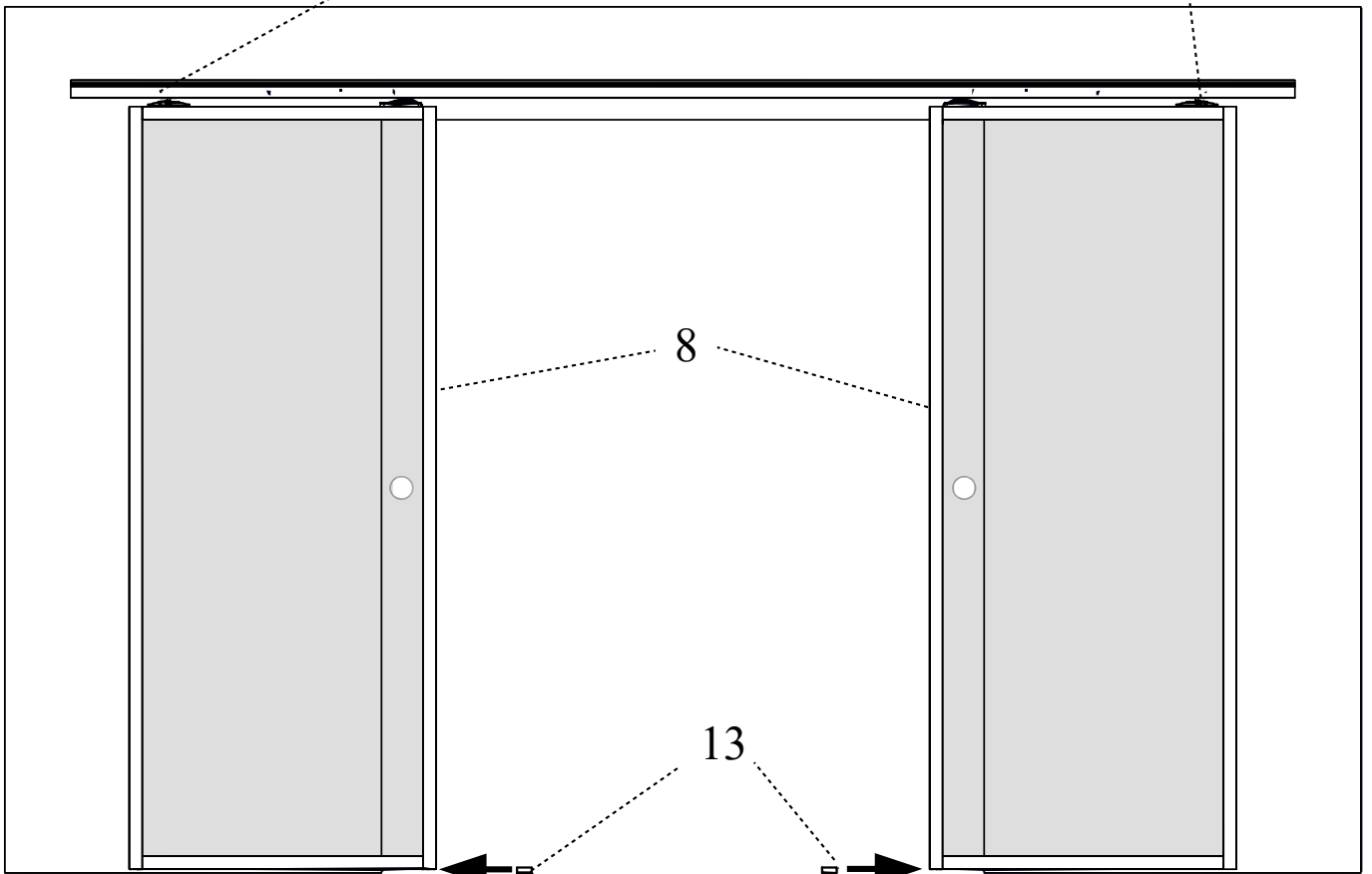
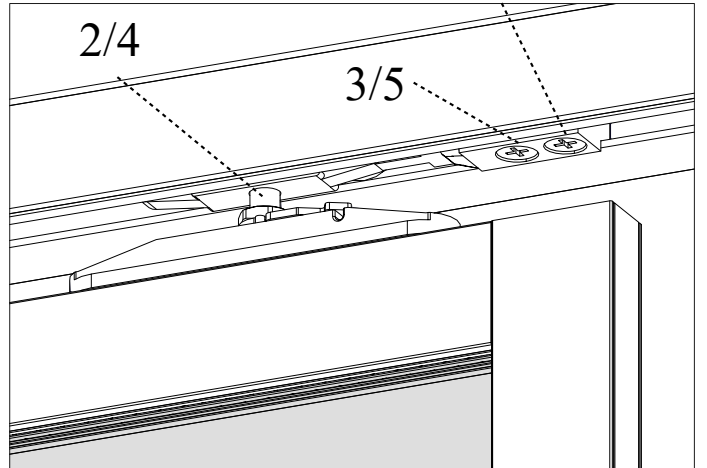
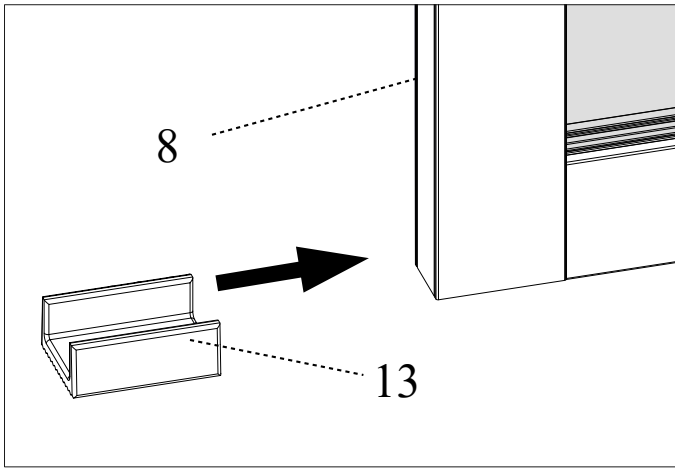
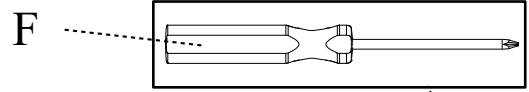


4





5



6

14

12

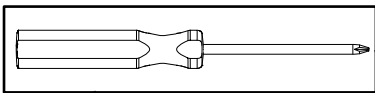
14

11

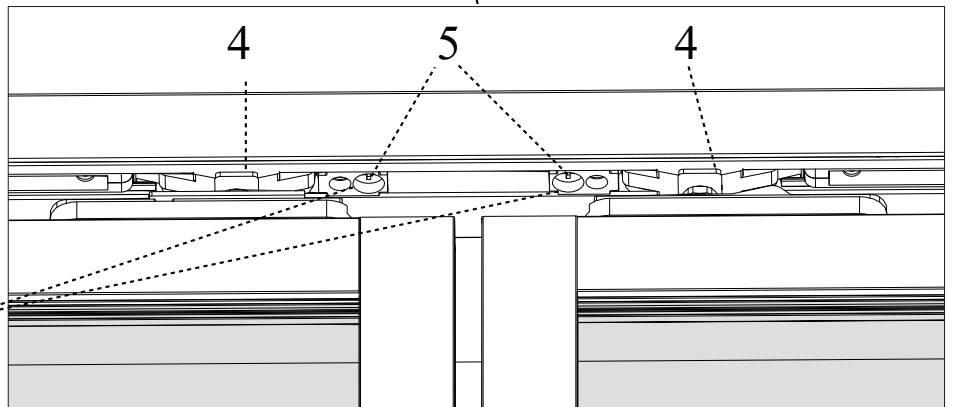
4

5

4



F



10