

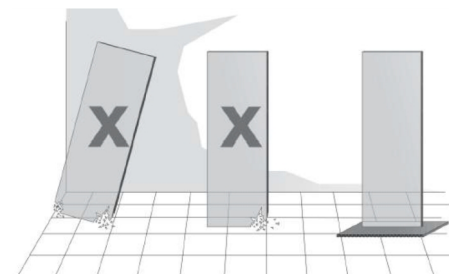
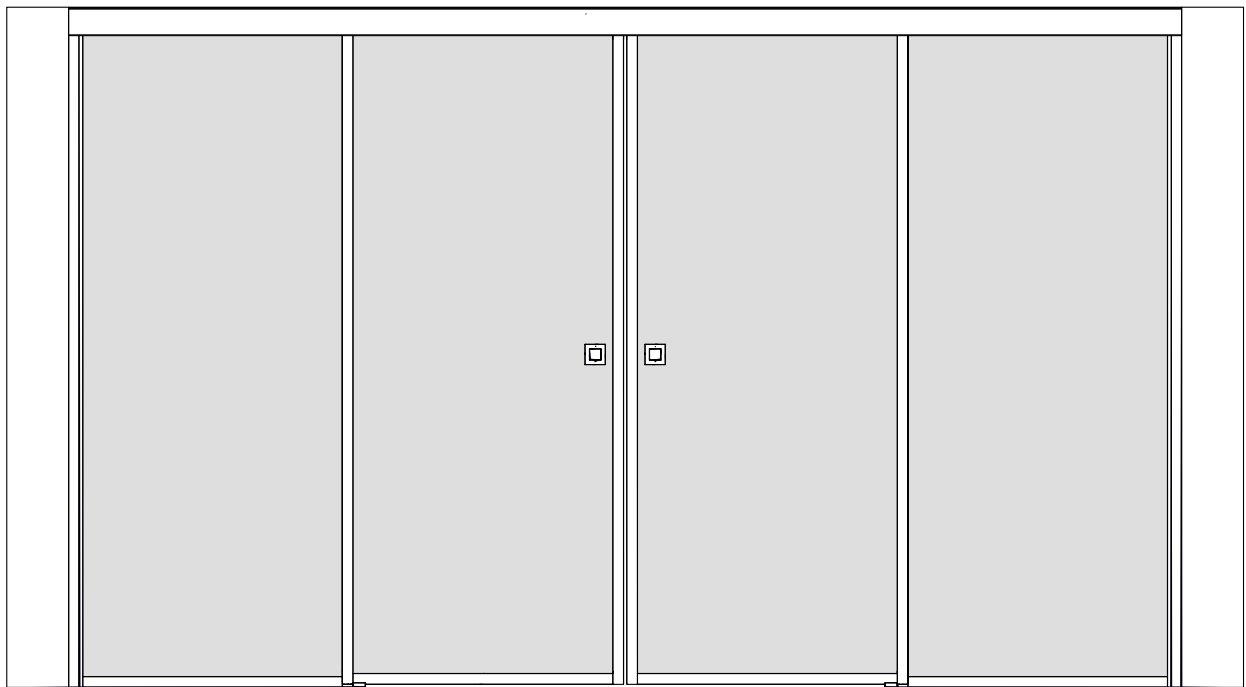


HIETAKARI

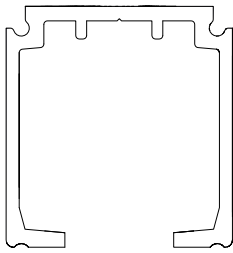


8/25 8MRLM

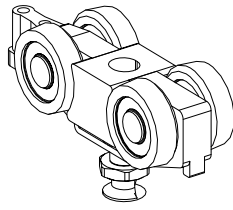
C4N/C4P/C4T



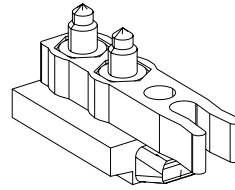
# Parts



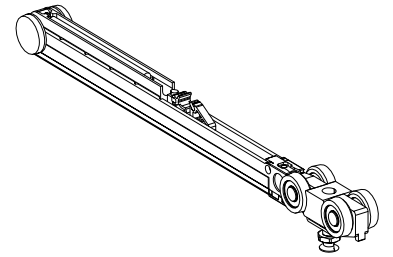
1. x1



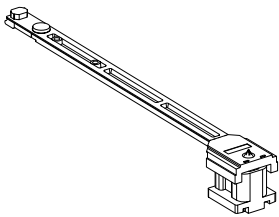
2. A x1  
B x0



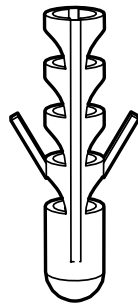
3. A x1  
B x0



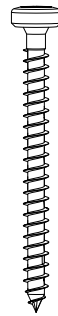
4. A x1  
B x2



5. A x1  
B x2



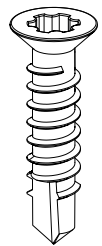
6. 6x30 mm



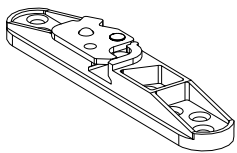
7. 4.5x44 mm



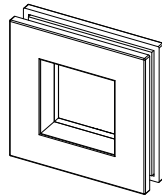
8. x2



9. 4.2x19 mm



10. x2



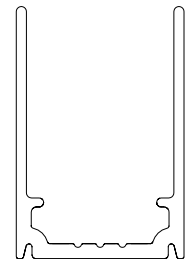
11. x1



12. x2



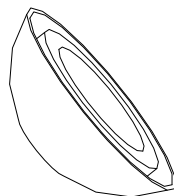
13/14. x1



15. x1



16. 4.2x13 mm



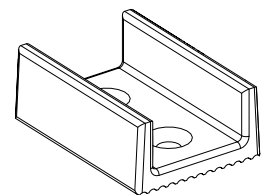
17.



18. x1

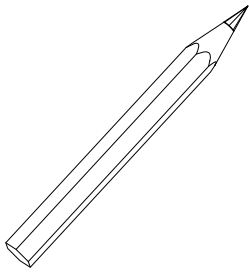


19. x1

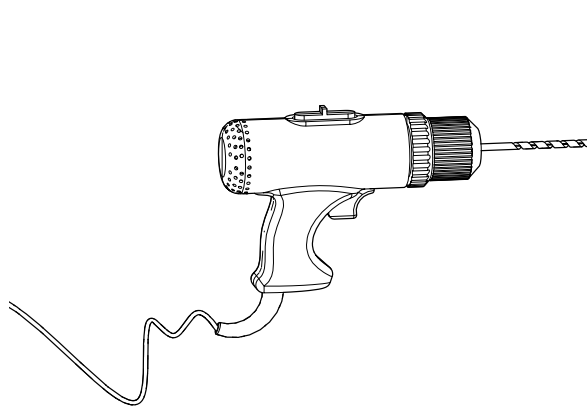


20. x1 <sup>2</sup>

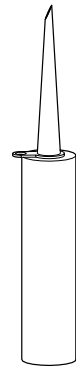
# Tools



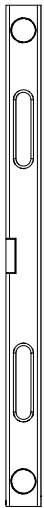
A



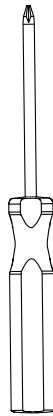
Ø6 mm  
B



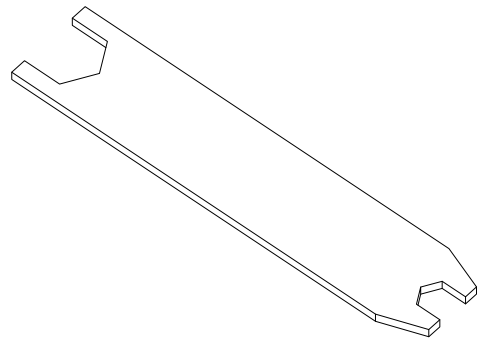
C – Silicone  
D – Glue



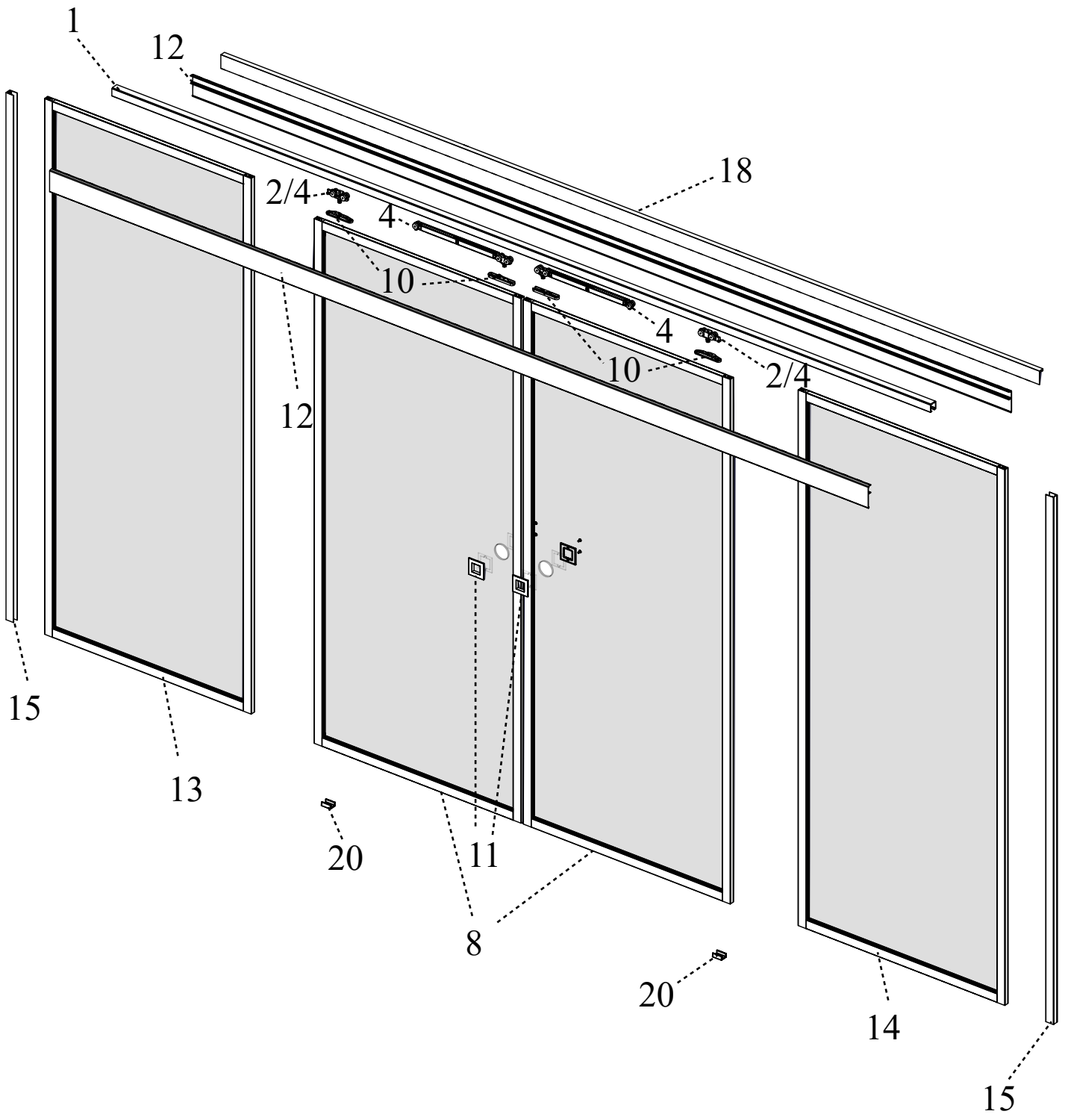
E



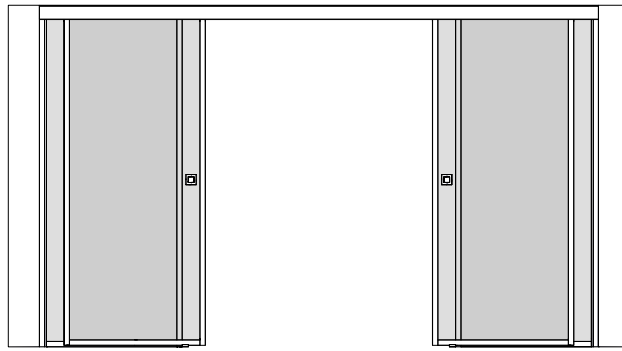
F



G



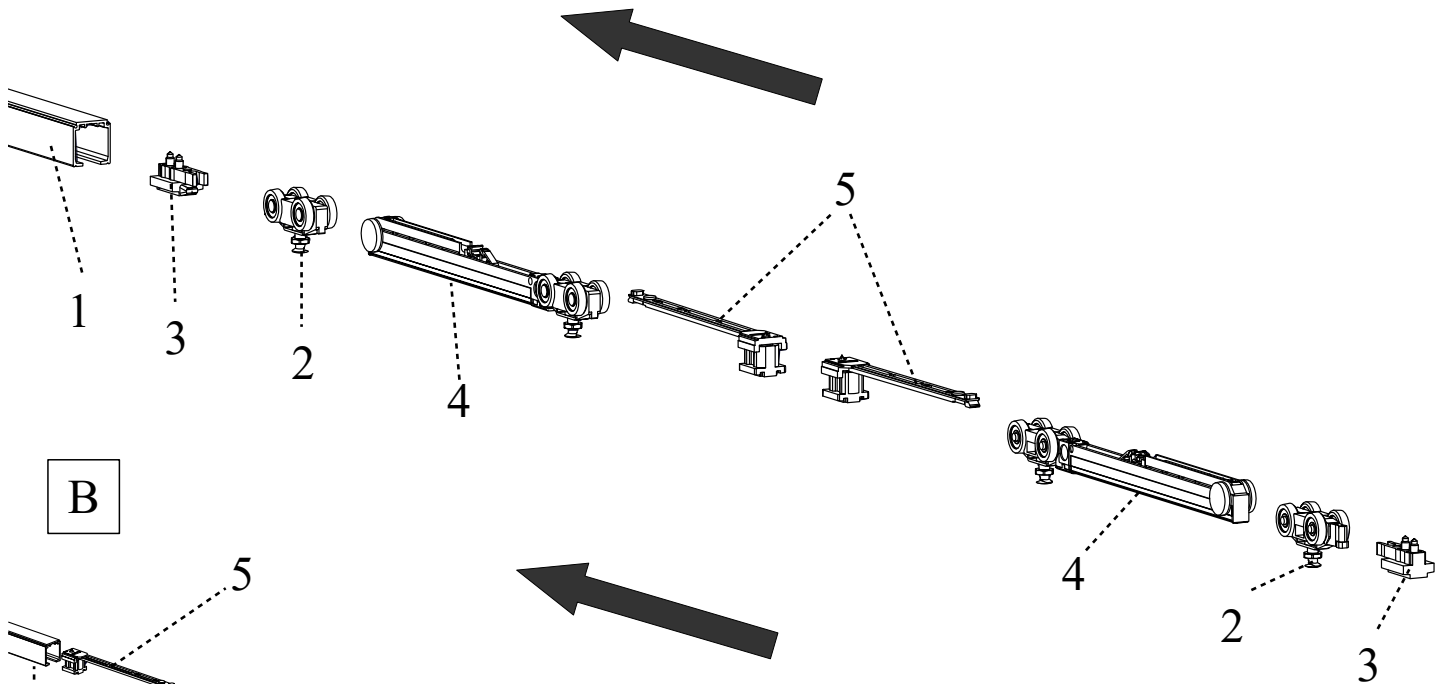
1



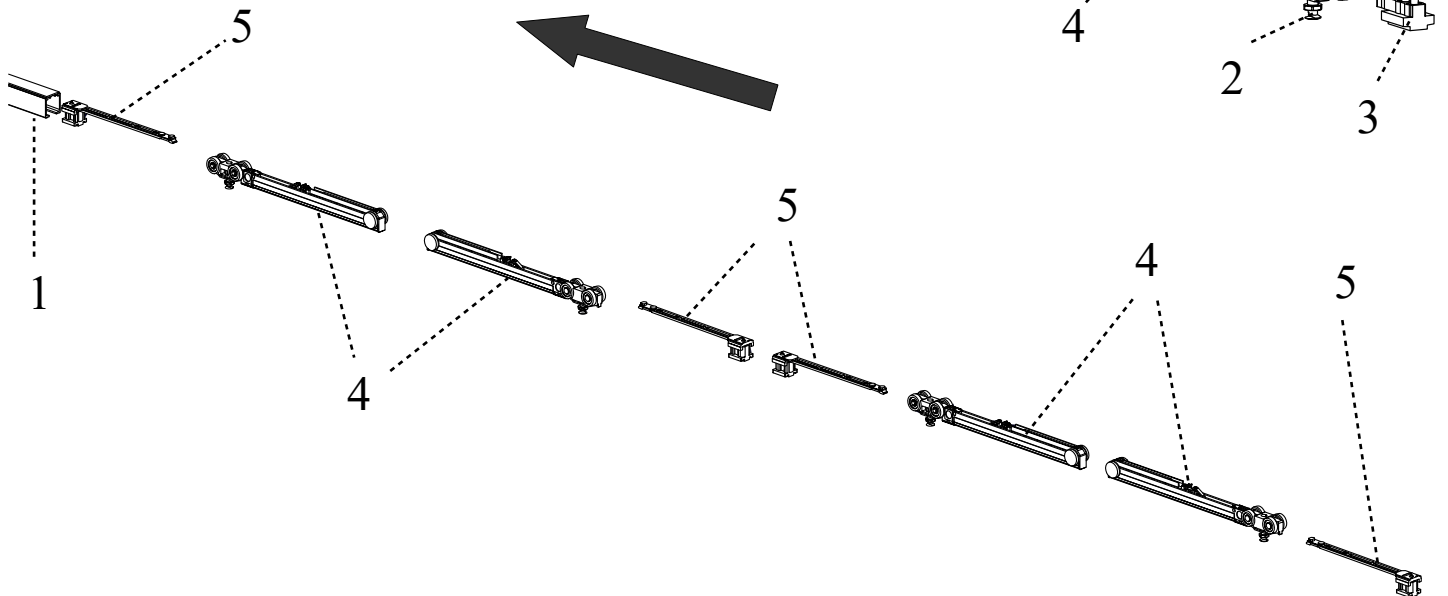
A: 1←3-2-4-5-5-4-2-3

B: 1←5-4-4-5-5-4-4-5

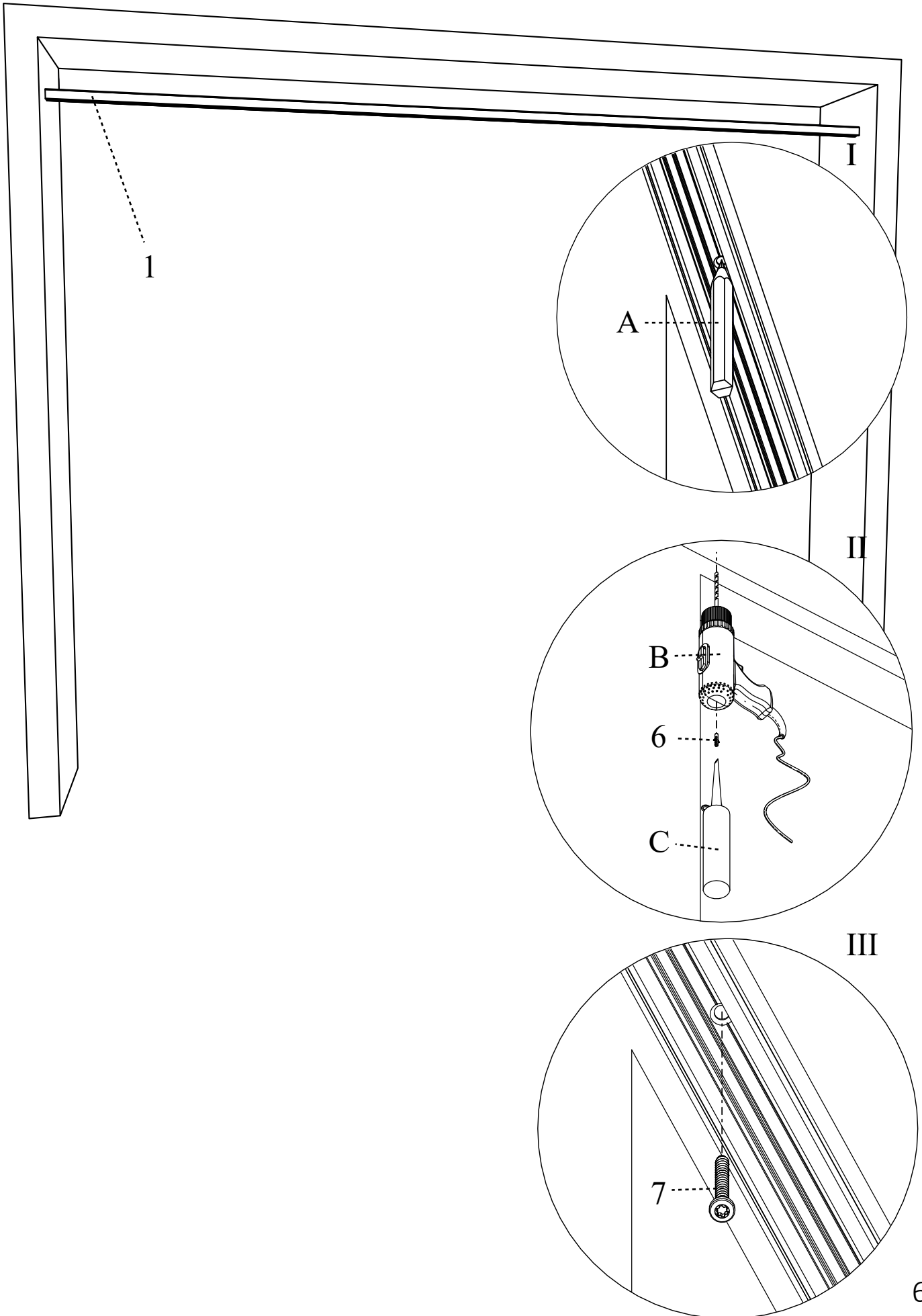
A



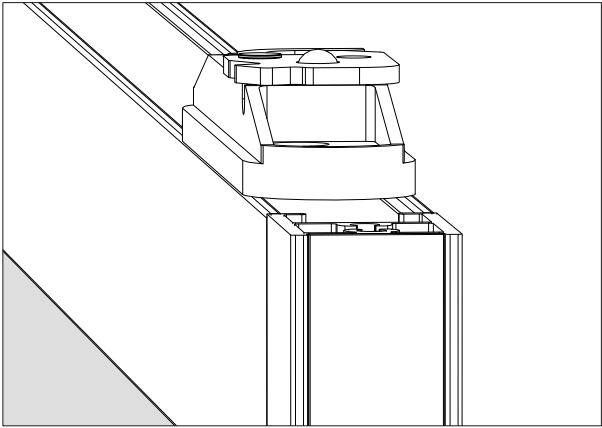
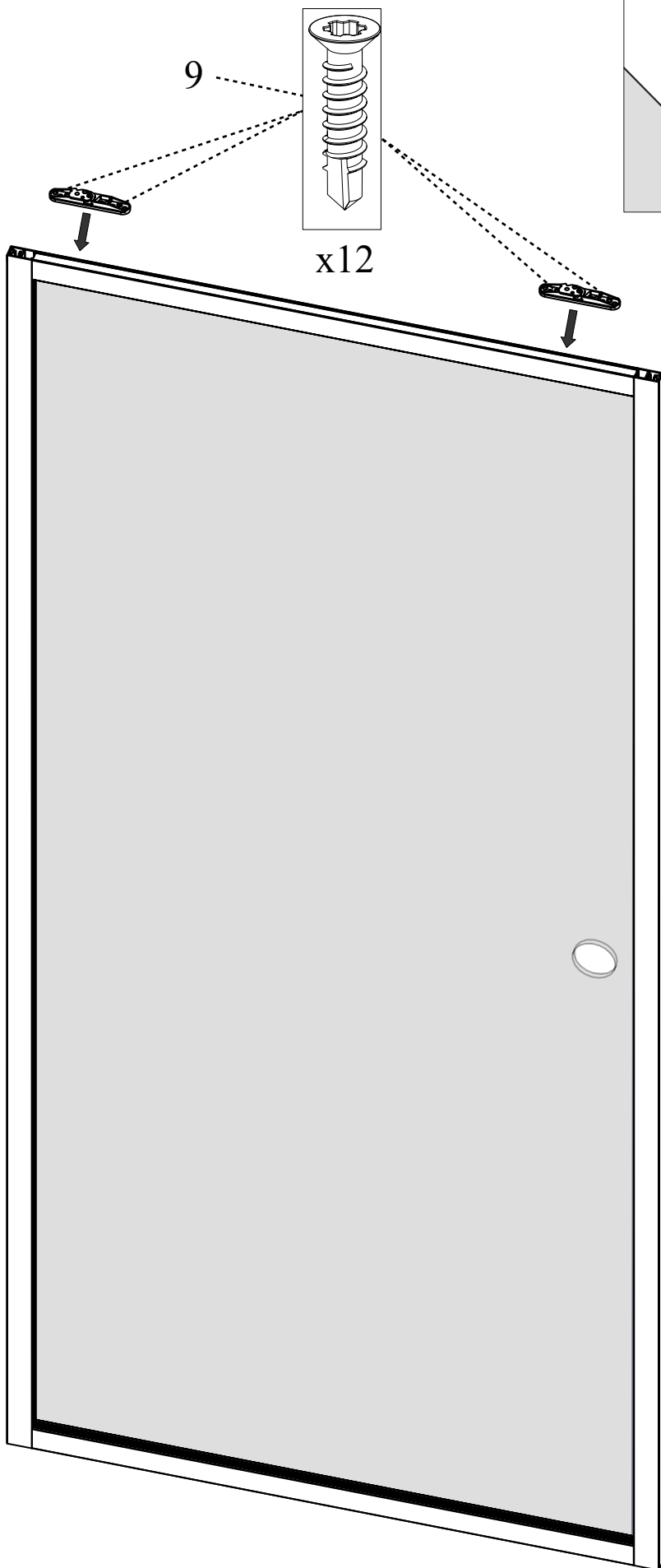
B



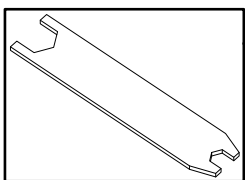
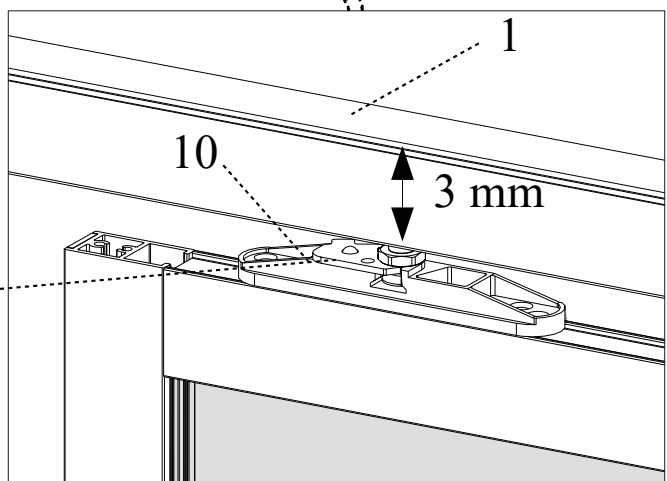
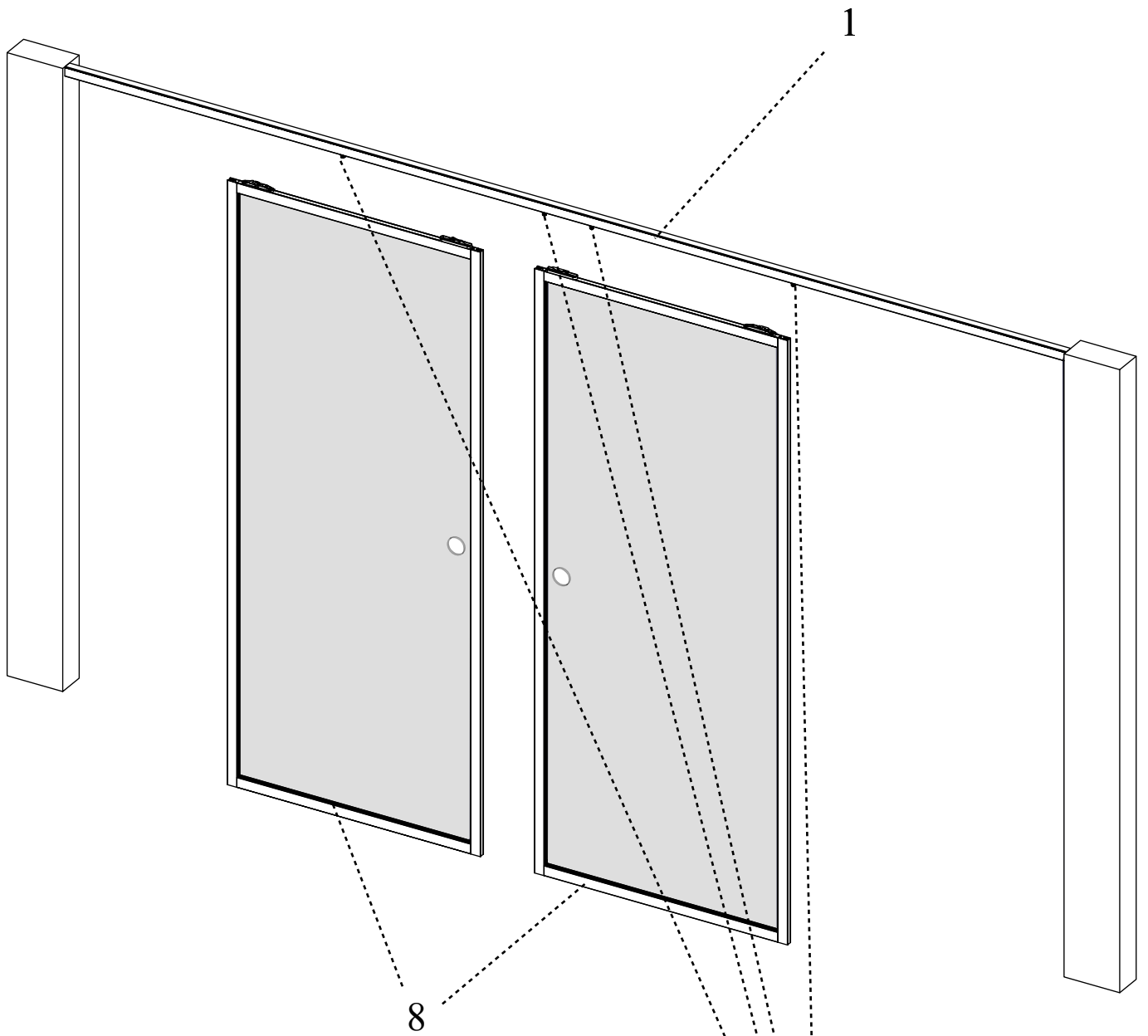
2



3

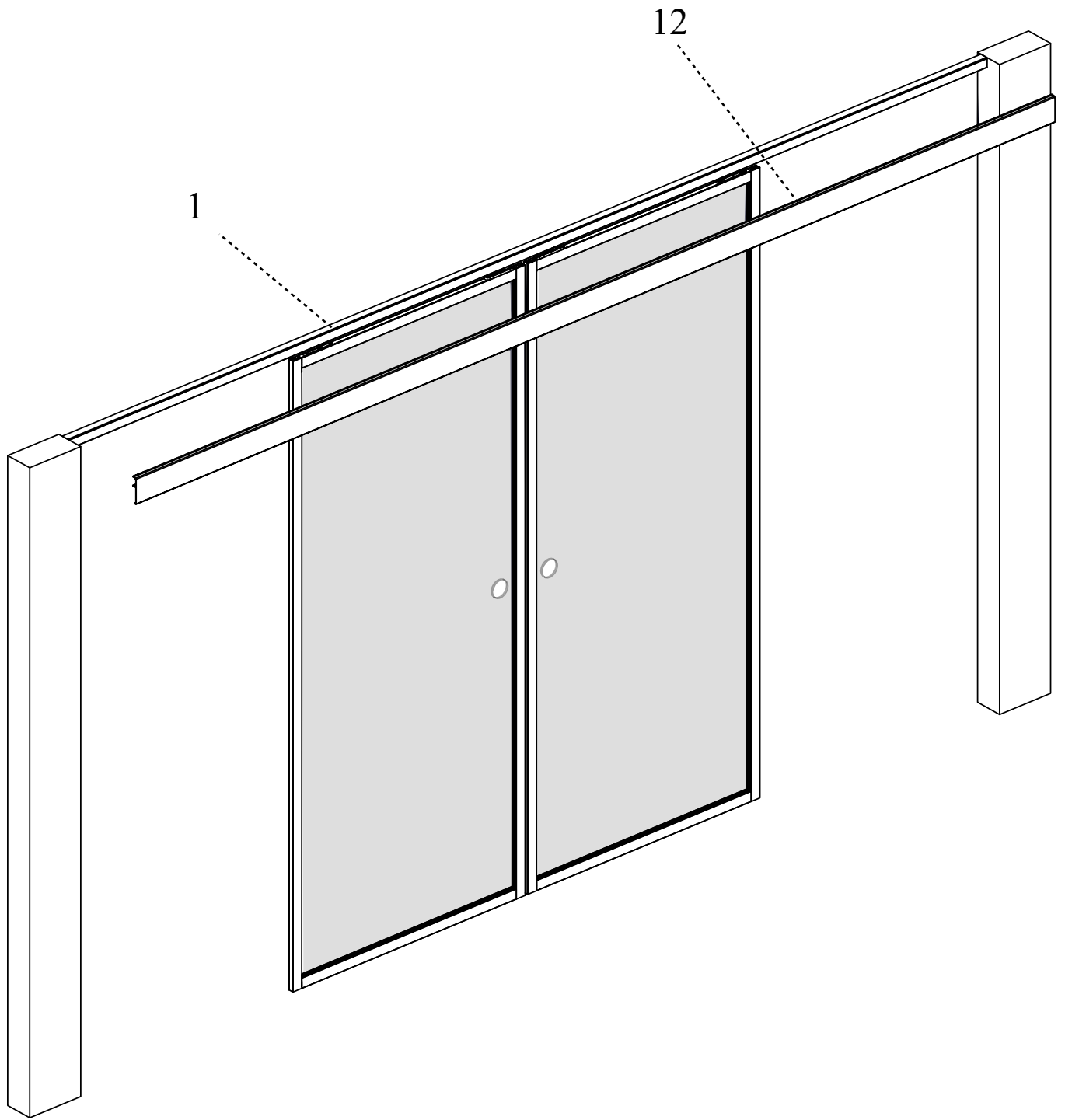


4

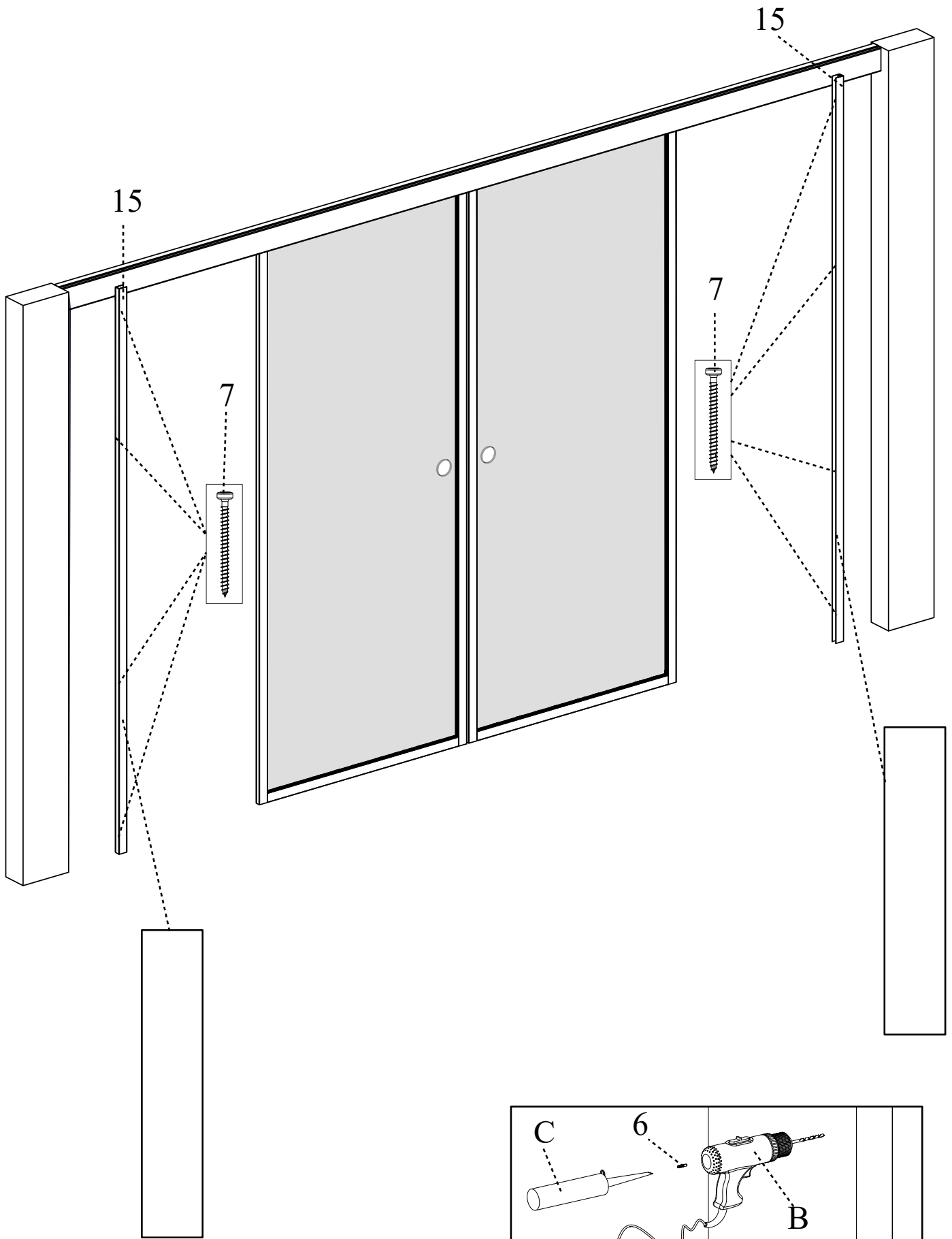




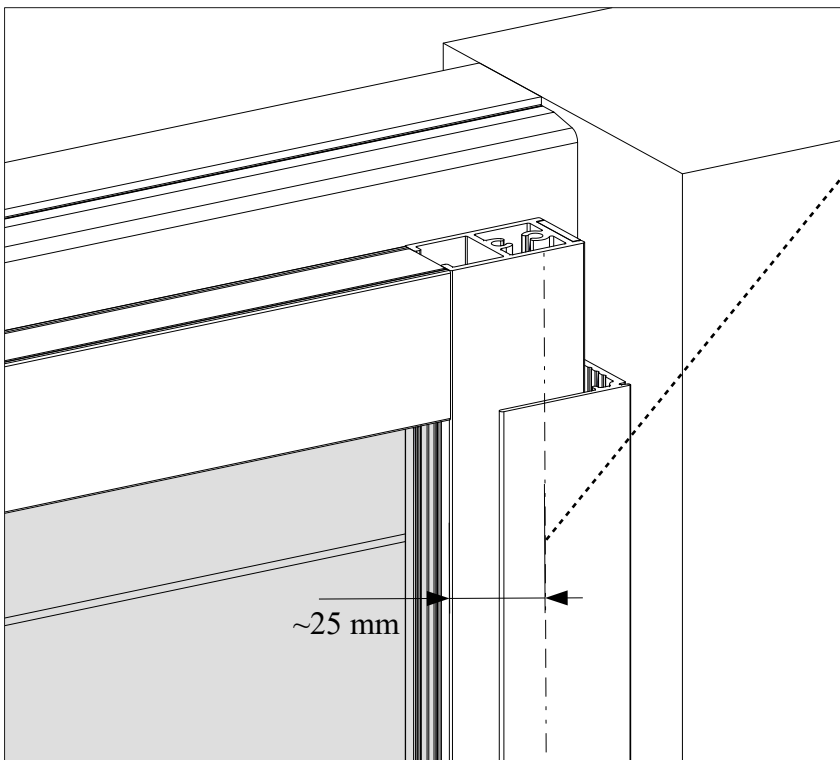
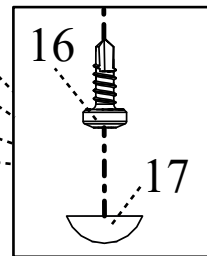
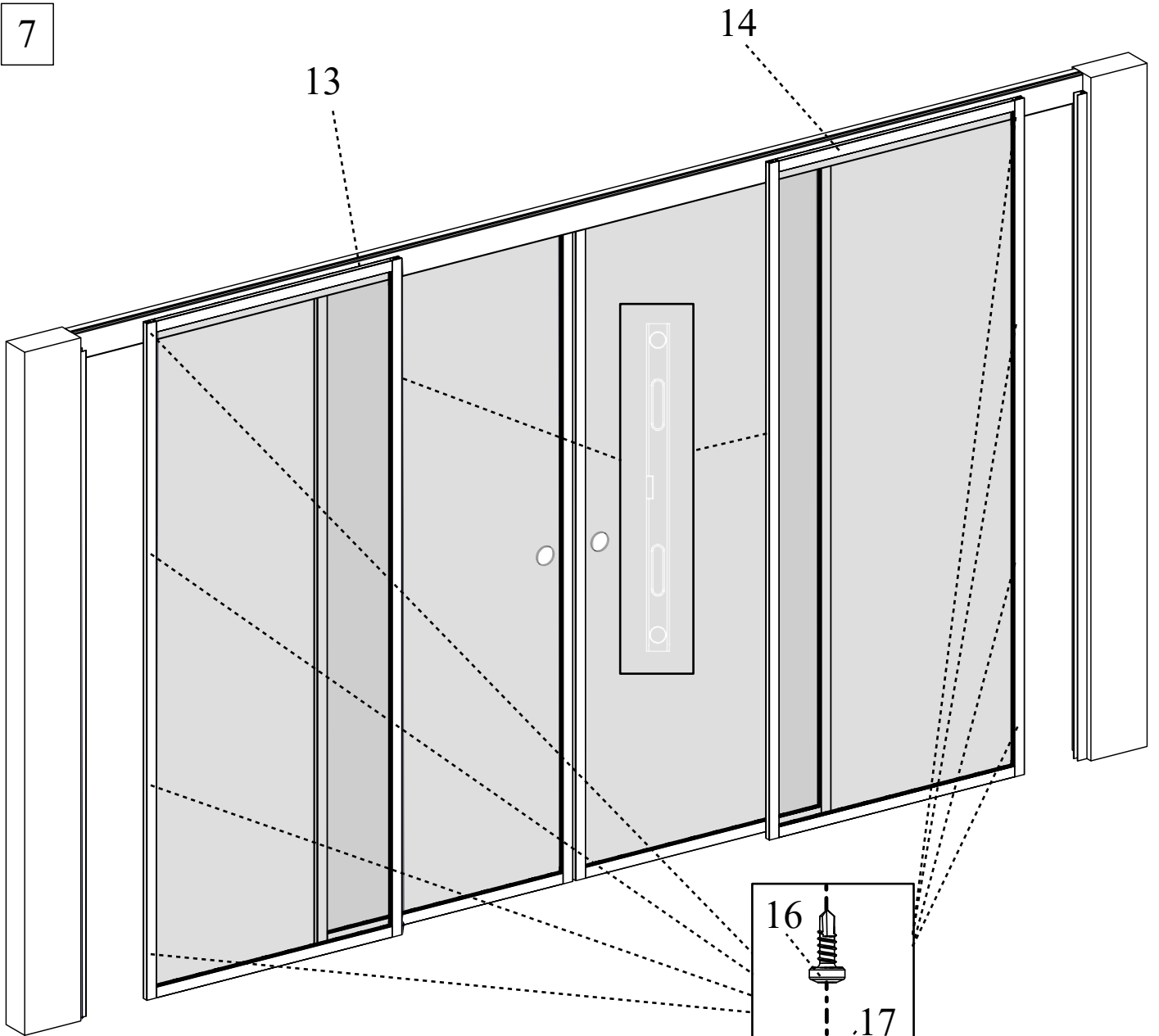
5

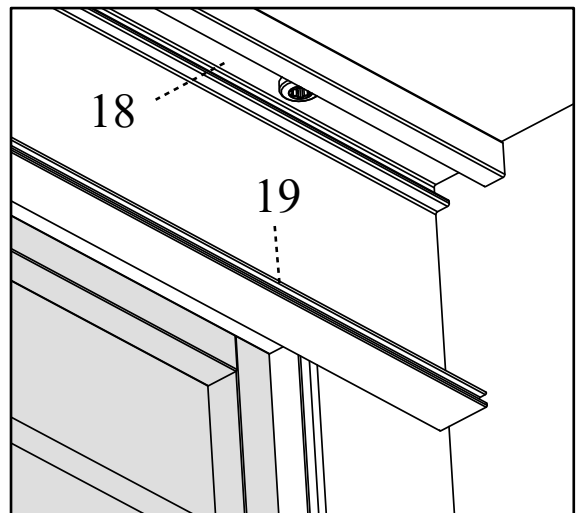
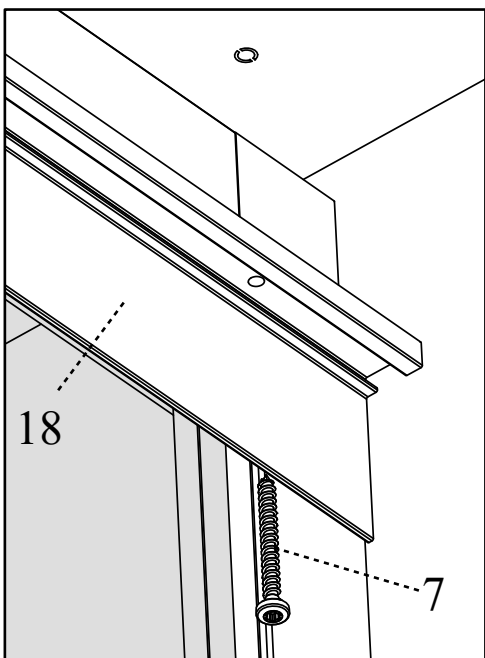
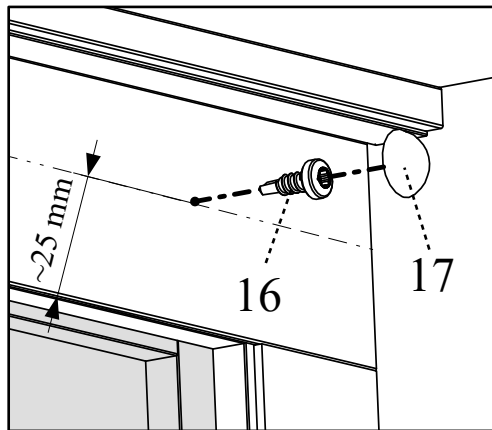
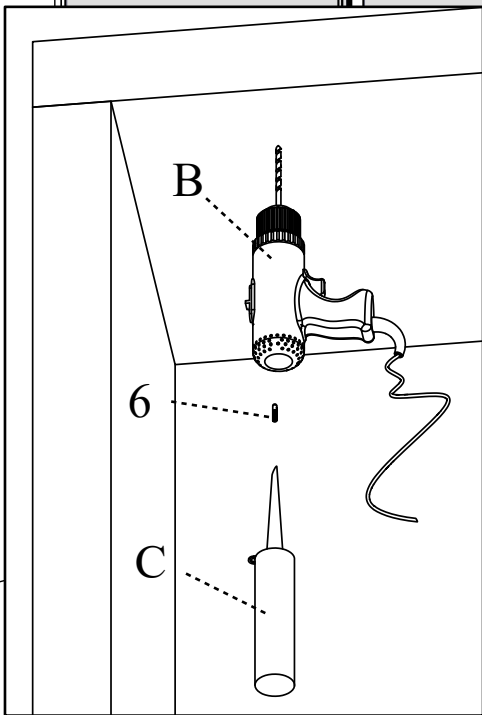
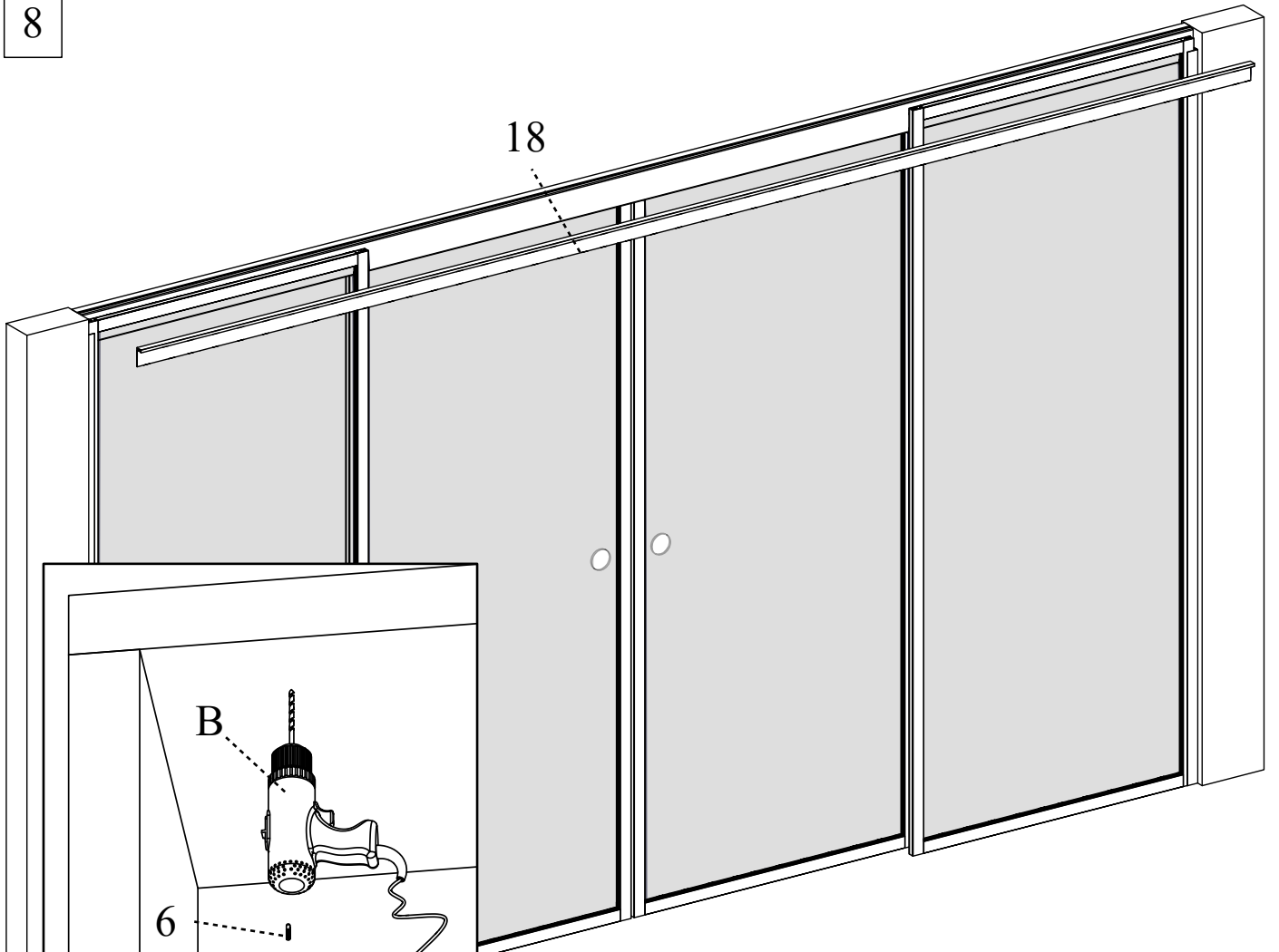


6

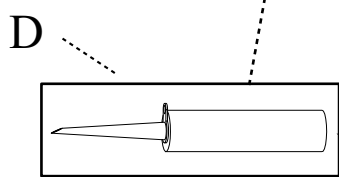
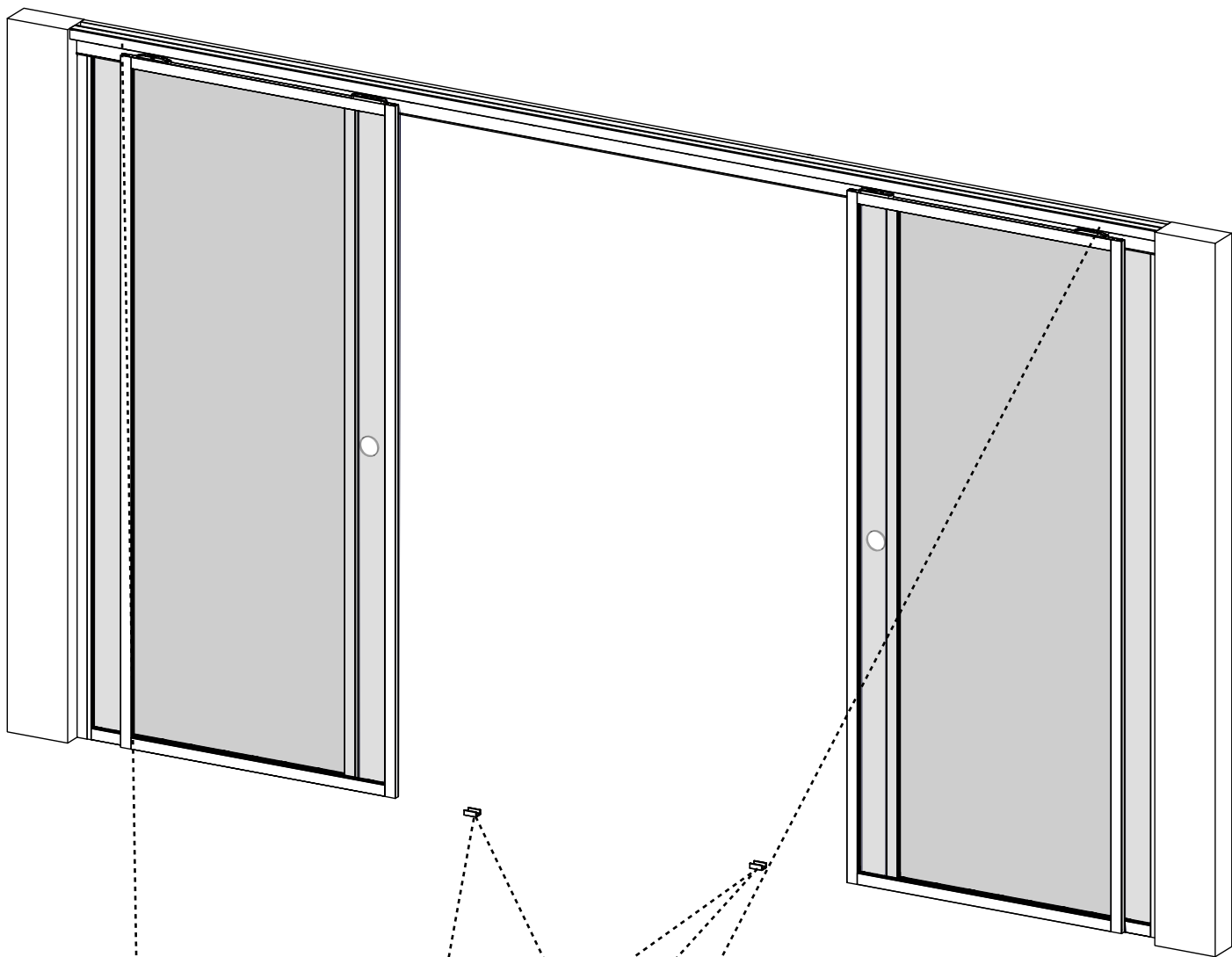


7

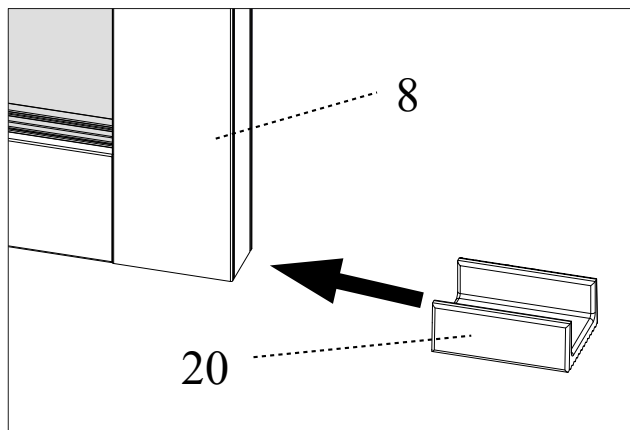
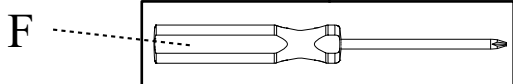
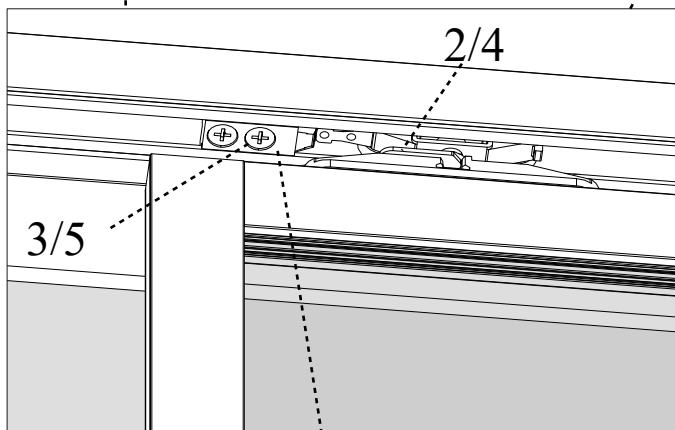




9

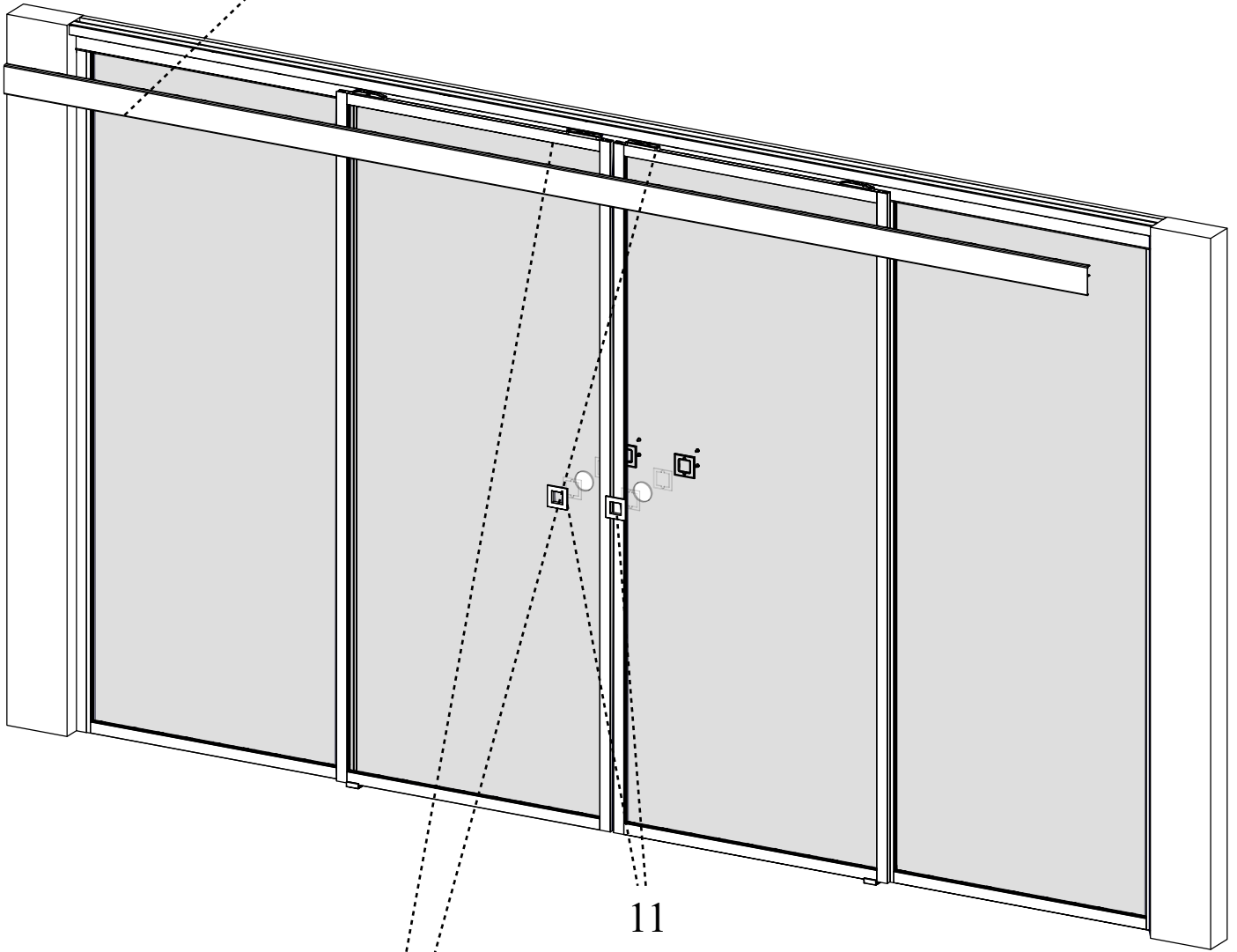


20

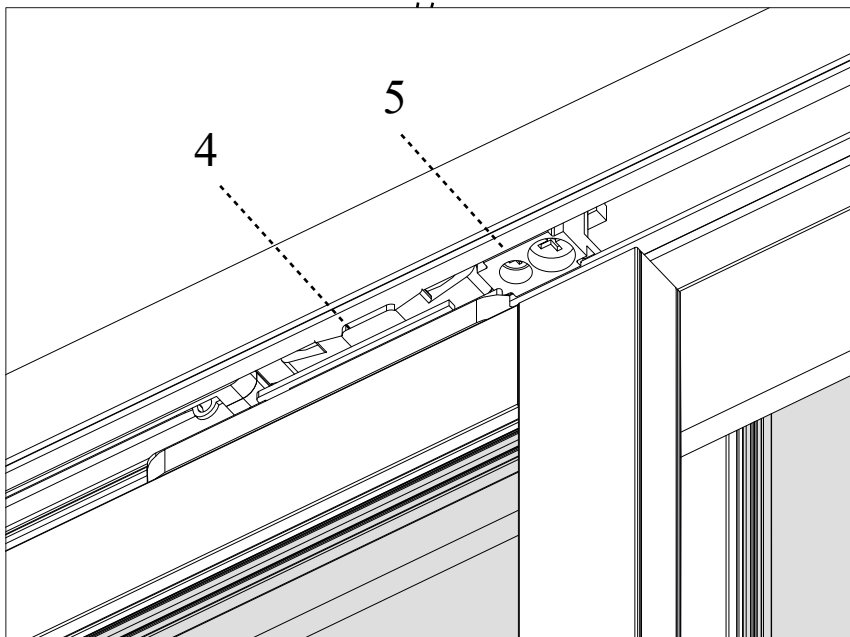


10

12



11



4

5